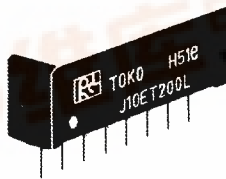


## Buffered Delay Lines

TOKO

查询"J10ET020L"供应商

J10ET

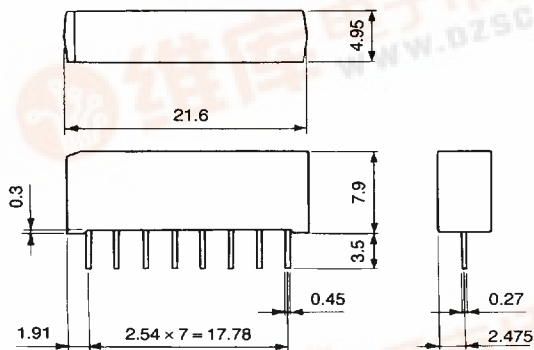


## FEATURES

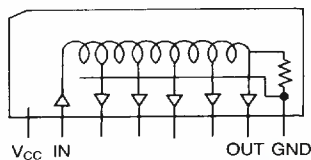
- Built-in TTL logic element (equivalent to a 74S04).
- Transfer-molded for high reliability.
- SIP package saves board space.
- Automated production process insures quality.

## DIMENSIONS

(Unit: mm)



## CONNECTIONS



## ELECTRICAL CHARACTERISTICS

$V_{CC} = 5 \pm 0.01V$ ,  $T_a = +25^\circ C \pm 2^\circ C$ , All values without load.  
(Custom design possible)

Part Number	Total Delay (ns.) $T_{PLH}$	Delay per Tap (ns.)	Rise Time (ns.) Max.
J <sub>10</sub> ET020L	20 ± 2ns.	4 ± 2	4
J <sub>10</sub> ET025L	25 ± 3ns.	5 ± 2	4
J <sub>10</sub> ET050L	50 ± 3ns.	10 ± 2	4
J <sub>10</sub> ET075L	75 ± 4ns.	15 ± 2.5	4
J <sub>10</sub> ET100L	100 ± 5%	20 ± 3	4
J <sub>10</sub> ET125L	125 ± 5%	25 ± 3	4
J <sub>10</sub> ET150L	150 ± 5%	30 ± 3	4
J <sub>10</sub> ET200L	200 ± 5%	40 ± 4	4
J <sub>10</sub> ET250L	250 ± 5%	50 ± 5	4

## GENERAL DATA

- Operating Temperature : 0 to +70°C
- Storage Temperature : -55 to +125°C
- Temperature Coefficient : 550ppm/°C (Typ.)
- Minimum passing pulse width :  $0.35 \times T_{PLH}$  (20~50ns.)  
 $0.30 \times T_{PLH}$  (75ns. over)
- Packing Style : Cartridge
- Minimum packing quantity : 20 pcs/Cartridge