

General Description

The MIC2779 is a voltage monitor—uniquely designed to detect two separate voltage thresholds—combined with a delay generator and logic. It is designed for monitoring the battery supply of portable digital systems, particularly PDAs, pagers, and cellular telephones.

High- and low-voltage thresholds can be adjusted independently, allowing for wide hysteresis. Voltage detection thresholds are accurate to 2%.

If the battery voltage falls below the low-voltage threshold, the output /RST or RST is asserted and latched, preventing system operation until the battery is replaced or recharged. Internal logic prevents the output from chattering due to battery recovery or load removal. The output is asserted for 140ms (minimum) when a fresh battery is inserted. For applications requiring open-drain output, see MIC2778/MIC833.

The IC's power supply input is separate from the detector inputs, allowing the MIC2779 to be powered from a downstream supply, such as a boost converter. Supply current is extremely low (1μA, typical), making it ideal for portable applications.

A high-precision 1% grade is available. The MIC2779 is supplied in Micrel's IttyBitty™ 5-pin SOT-23-5 package.

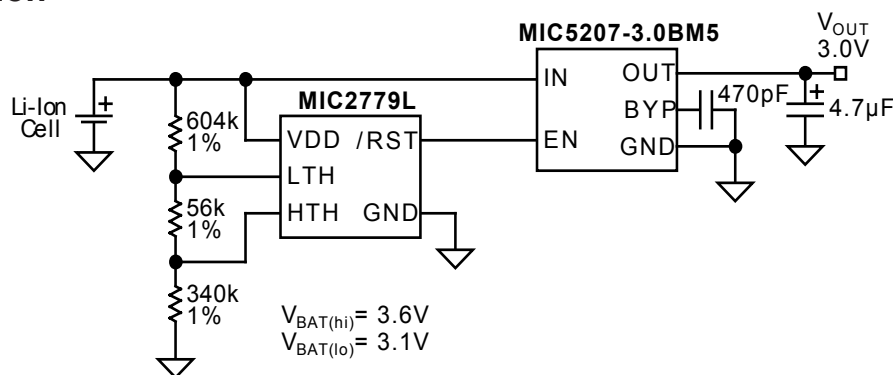
Features

- Optimized for PDAs, cellular telephones, pagers, and other battery-powered devices
- Independently adjustable high- and low-voltage thresholds
- Internal logic prevents battery-voltage-fluctuation chatter
- High ±2% voltage threshold accuracy; 1% available
- Built in 140ms (minimum) delay deglitches output
- Extremely low 1μA typical supply current
- For applications requiring open-drain output, see MIC2778/MIC833
- Immune to brief power supply transients
- 5-pin SOT-23 package

Applications

- PDAs
- Pagers
- Cordless phones
- Consumer electronics
- Embedded controllers
- Personal electronics

Typical Application

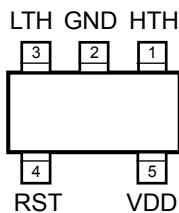


Cellular Telephone Battery Monitor

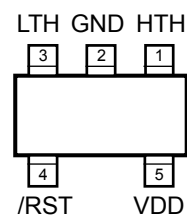
Ordering Information

Part Number				Output Polarity	Accuracy	Temperature Range	Package
Standard	Marking	Pb-Free	Marking				
MIC2779H-2BM5	UPA2	MIC2779H-2YM5	<u>UPA2</u>	Active-High RST	2%	-40°C to +85°C	SOT-23-5
MIC2779H-1BM5	UPA1	MIC2779H-1YM5	<u>UPA1</u>	Active-High RST	1%	-40°C to +85°C	SOT-23-5
MIC2779L-2BM5	UPB2	MIC2779L-2YM5	<u>UPB2</u>	Active-Low /RST	2%	-40°C to +85°C	SOT-23-5
MIC2779L-1BM5	UPB1	MIC2779L-1YM5	<u>UPB1</u>	Active-Low /RST	1%	-40°C to +85°C	SOT-23-5

Pin Configuration



SOT-23-5 (M5)
“H” Version



SOT-23-5 (M5)
“L” Version

Pin Description

Pin Number MIC2779H	Pin Number MIC2779L	Pin Name	Pin Function
1	1	HTH	High-Voltage Theshold (Input): Analog input to a comparator. When the level on this pin initially rises above V_{REF} , the delay generator cycles and the /RST remains low or RST remains high for a minimum of 140ms.
2	2	GND	Ground
3	3	LTH	Low-Voltage Threshold (Input): Analog input to a comparator. This is the voltage monitor input assigned to detect a low voltage condition. When the level on this pin falls below V_{REF} , /RST or RST is asserted and the condition is latched until $V_{HTH} > V_{REF}$.
4		RST	Reset (Output): Push-pull output. This output is asserted and latched when $V_{LTH} < V_{REF}$, indicating a low voltage condition. This state remains latched until $V_{HTH} > V_{REF}$. The polarity of this signal (active-high or low) is determined by the part number suffix. See ordering information.
	4	/RST	Reset (Output): Push-pull output. This output is asserted and latched when $V_{LTH} < V_{REF}$, indicating a low voltage condition. This state remains latched until $V_{HTH} > V_{REF}$. The polarity of this signal (active-high or low) is determined by the part number suffix. See ordering information.
5	5	VDD	Power Supply (Input): Independent supply input for internal circuitry.

Absolute Maximum Ratings (Note 1)

Supply Voltage (V_{DD})	-0.3V to +7V
Input Voltages (V_{LTH} , V_{HTH} , $V_{/RST}$, V_{RST})	-0.3V to +7V
$/RST$, RST Output Current ($I_{/RST}$), (I_{RST})	20mA
Storage Temperature (T_S)	-65°C to +150°C
ESD Rating, Note 3	2kV

Operating Ratings (Note 2)

Supply Voltage (V_{DD})	+1.5V to +5.5V
Input Voltages (V_{LTH} , V_{HTH} , $V_{/RST}$, V_{RST})	-0.3V to +6.0V
Ambient Temperature Range (T_A)	-40°C to +85°C
Package Thermal Resistance	256°C/W

Electrical Characteristics

1.5V \leq V_{DD} \leq 5.5V; $T_A = +25^\circ\text{C}$, **bold** values indicate $-40^\circ\text{C} \leq T_A \leq +85^\circ\text{C}$; unless noted

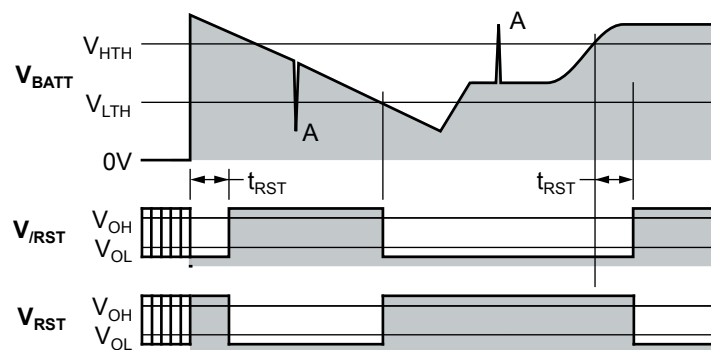
Symbol	Parameter	Condition	Min	Typ	Max	Units
I_{DD}	Supply Current	$/RST$, RST not asserted		1	2	μA
I_{LTH} , I_{HTH}	Input Leakage Current			5		pA
					10	nA
V_{REF}	Reference Voltage			1.240		V
		MIC2779H/L-2	1.215		1.265	V
		MIC2779H/L-1	1.228		1.252	V
t_D	Propagation Delay	$V_{LTH} = V_{REF(max)} + 100\text{mV}$ $V_{REF(min)} - 100\text{mV}$		5		μs
t_{RESET}	Reset Pulse Width		140		420	ms
V_{OL}	Reset Output Low Voltage	$/RST$ asserted or RST not asserted, $I_{SINK} = 1.6\text{mA}$, $V_{DD} \geq 1.6\text{V}$			0.3	V
		$/RST$ asserted or RST not asserted, $I_{SINK} = 100\mu\text{A}$, $V_{DD} \geq 1.2\text{V}$,			0.4	V
V_{OH}	Reset Output High Voltage	$/RST$ not asserted or RST asserted, $I_{SOURCE} = 500\mu\text{A}$, $V_{DD} \geq 1.6\text{V}$	0.8 V_{DD}			V
		$/RST$ not asserted or RST asserted, $I_{SOURCE} = 50\mu\text{A}$, $V_{DD} \geq 1.2\text{V}$,	0.8 V_{DD}			V

Note 1. Exceeding the absolute maximum rating may damage the device.

Note 2. The device is not guaranteed to function outside its operating rating.

Note 3. Devices are ESD sensitive. Handling precautions recommended. Human body model, 1.5k in series with 100pF.

Note 4. V_{DD} operating range is 1.5V to 5.5V. Output is guaranteed to be held low down to $V_{DD} = 1.2\text{V}$.

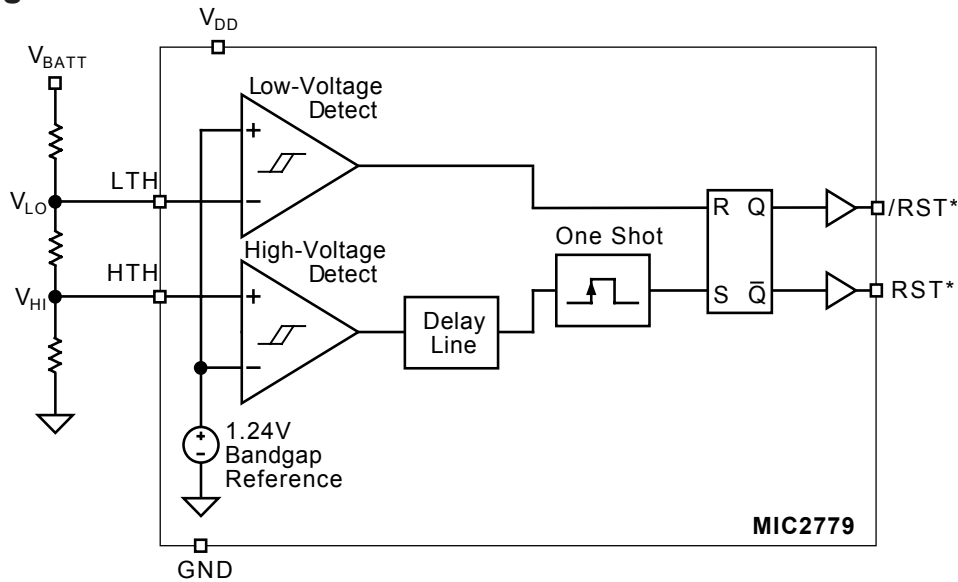
Timing Diagram

Propagation delays not shown for clarity.

Note A. The MIC2779 ignores very brief transients. See "Applications Information" for details.

[查询"MIC2779"供应商](#)

Functional Diagram



* Pinout and polarity vary by device type.
See ordering information table.

Functional Description

The MIC2779 monitors the voltage of a battery and detects when it is discharged below a programmed level. Upon being replaced, or being recharged above a second higher programmed trip point, the output remains low (MIC2779L) or high (MIC2779H) for a minimum of 140ms and then sends a reset signal to a microprocessor or other downstream component. See "Timing Diagram."

/RST, RST Low Output

The output is a push-pull logic signal which is asserted when the MIC2779 detects a low input voltage. The MIC2779L's /RST output is active-low; the MIC2779H's RST output is active-high.

Trip Points

Battery voltage is monitored by a comparator via a voltage divider network. The divided voltage is compared to an internal reference voltage. When the voltage at the LTH input pin drops below the internal reference voltage, the output is asserted. At this point, the voltage at HTH is assumed to be below the reference voltage.

Delay

At power-on or when the battery is replaced or recharged, and the voltage at HTH exceeds the reference voltage, the output is deasserted after a minimum delay of 140ms.

Applications Information

Programming the Thresholds

The low-voltage threshold is calculated using:

$$V_{\text{BAT(lo)}} = V_{\text{REF}} \left(\frac{R1 + R2 + R3}{R2 + R3} \right)$$

The high-voltage threshold is calculated using:

$$V_{\text{BAT(hi)}} = V_{\text{REF}} \left(\frac{R1 + R2 + R3}{R3} \right)$$

where, for both equations:

$$V_{\text{REF}} = 1.240\text{V}$$

In order to provide the additional criteria needed to solve for the resistor values, the resistors can be selected such that they have a given total value, that is, $R1 + R2 + R3 = R_{\text{TOTAL}}$. A value such as $1\text{M}\Omega$ for R_{TOTAL} is a reasonable value because it draws minimum battery current but has no measurable effect on accuracy.

When working with large resistors, a small amount of leakage current can cause voltage offsets that degrade system accuracy. The maximum recommended total resistance from V_{BAT} to ground is $3\text{M}\Omega$.

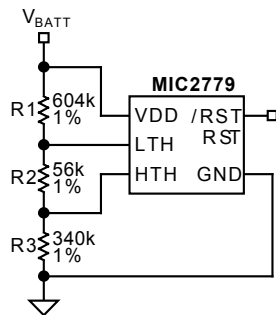


Figure 1. Example Circuit

Once the desired trip points are determined, set the $V_{\text{BAT(hi)}}$ threshold first.

For example, use a total of $1\text{M}\Omega = R1 + R2 + R3$. For a typical single-cell lithium ion battery, 3.6V is a good "high threshold" because at 3.6V the battery is moderately charged. Solving for $R3$:

$$V_{\text{BAT(hi)}} = 1.24 \left(\frac{1\text{M}\Omega}{R3} \right)$$

$$R3 = 344\text{k}\Omega$$

Once $R3$ is determined, the equation for $V_{\text{BAT(lo)}}$ can be used to determine $R2$. A single lithium-ion cell should not be discharged below 2.5V . Many applications limit the drain to 3.1V . Using 3.1V for the $V_{\text{BAT(lo)}}$ threshold allows calculation of the two remaining resistor values.

$$V_{\text{BAT(lo)}} = 3.1\text{V} = 1.24 \left(\frac{1\text{M}\Omega}{R2 + 344\text{k}} \right)$$

$$R2 = 56\text{k}\Omega$$

$$R1 = 1\text{M}\Omega - R2 - R3$$

$$R1 = 600\text{k}\Omega$$

The accuracy of the resistors can be chosen based upon the accuracy required by the system.

Input Transients

The MIC2779 is inherently immune to very short negative-going "glitches." Very brief transients may exceed the $V_{\text{BAT(lo)}}$ threshold without tripping the output.

As shown in Figure 2, the narrower the transient, the deeper the threshold overdrive that will be ignored by the MIC2779. The graph represents the typical allowable transient duration for a given amount of threshold overdrive that will not generate a reset.

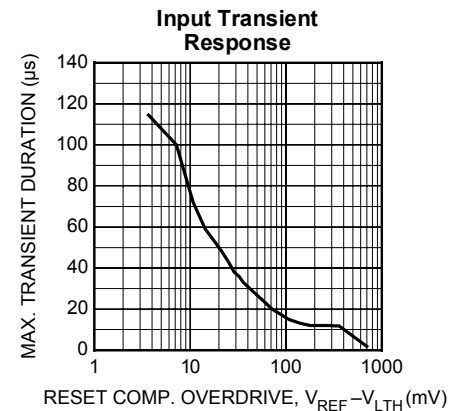
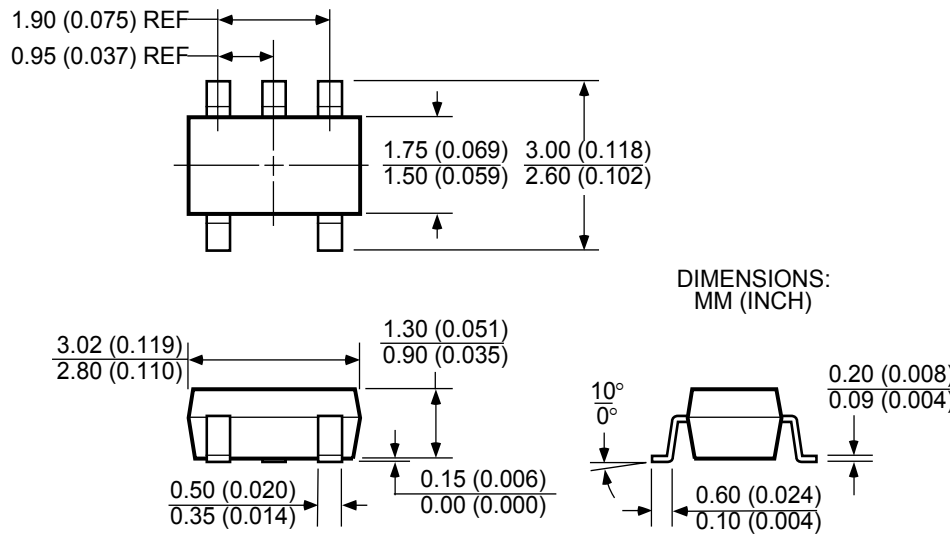


Figure 2. Input Transient Response

Package Information

[查询"MIC2779"供应商](#)



5-Pin SOT-23 (M5)

MICREL INC. 2180 FORTUNE DRIVE SAN JOSE, CA 95131 USA
 TEL + 1 (408) 944-0800 FAX + 1 (408) 474-1000 WEB <http://www.micrel.com>

This information furnished by Micrel in this data sheet is believed to be accurate and reliable. However no responsibility is assumed by Micrel for its use. Micrel reserves the right to change circuitry and specifications at any time without notification to the customer.

Micrel Products are not designed or authorized for use as components in life support appliances, devices or systems where malfunction of a product can reasonably be expected to result in personal injury. Life support devices or systems are devices or systems that (a) are intended for surgical implant into the body or (b) support or sustain life, and whose failure to perform can be reasonably expected to result in a significant injury to the user. A Purchaser's use or sale of Micrel Products for use in life support appliances, devices or systems is a Purchaser's own risk and Purchaser agrees to fully indemnify Micrel for any damages resulting from such use or sale.

© 2000 Micrel, Inc.