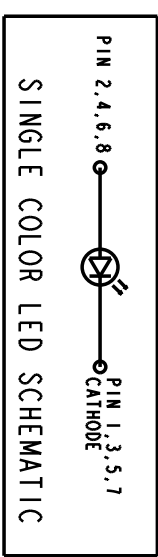
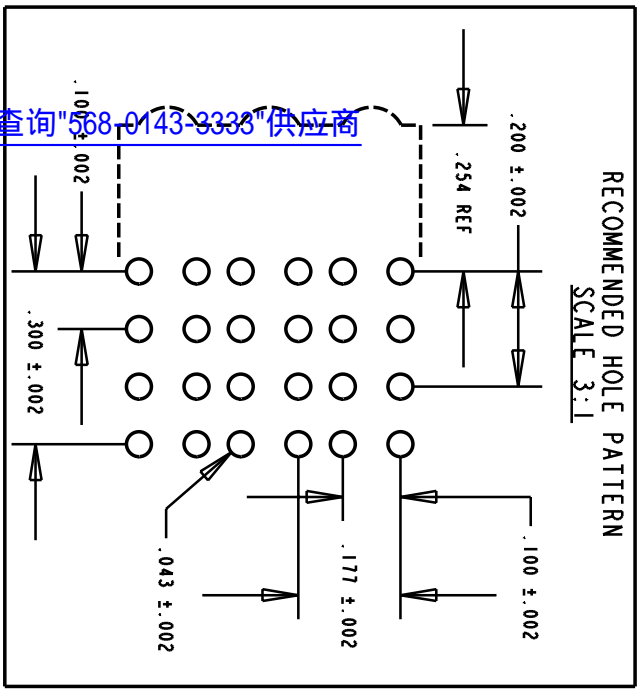
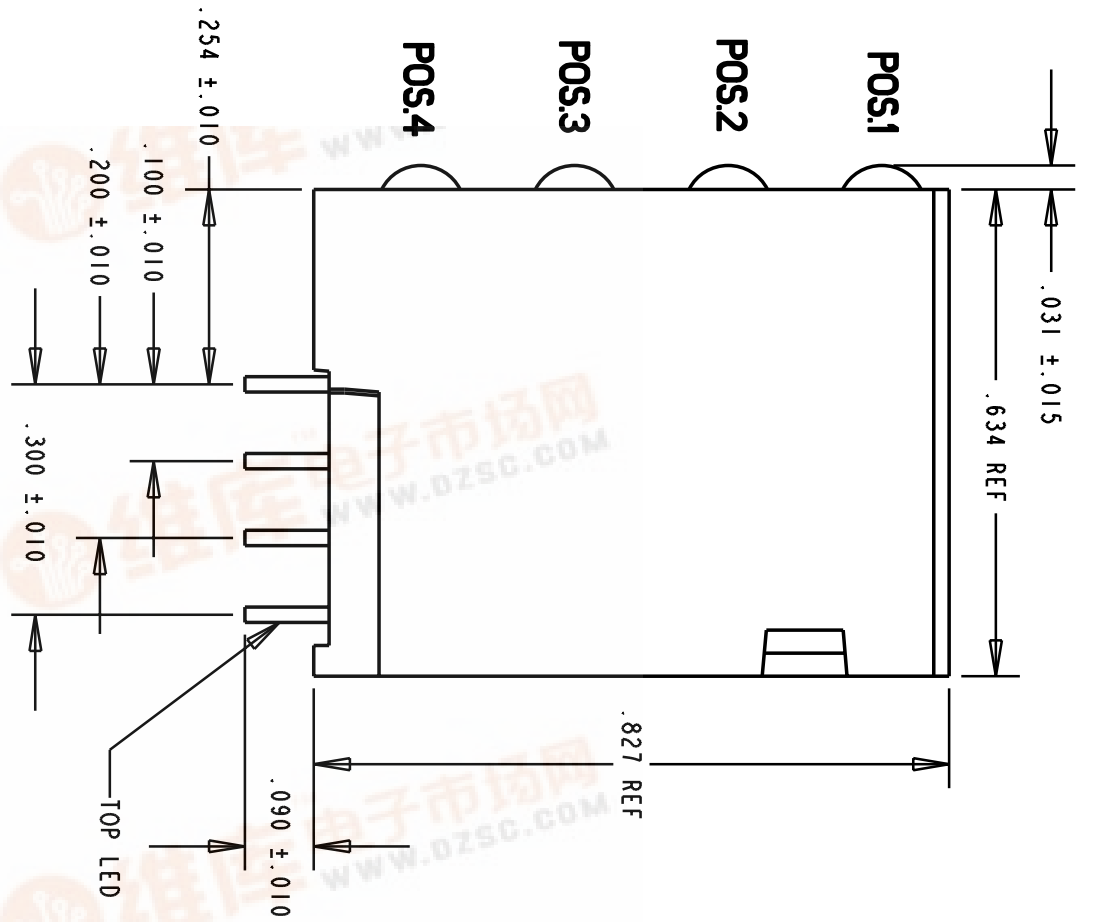
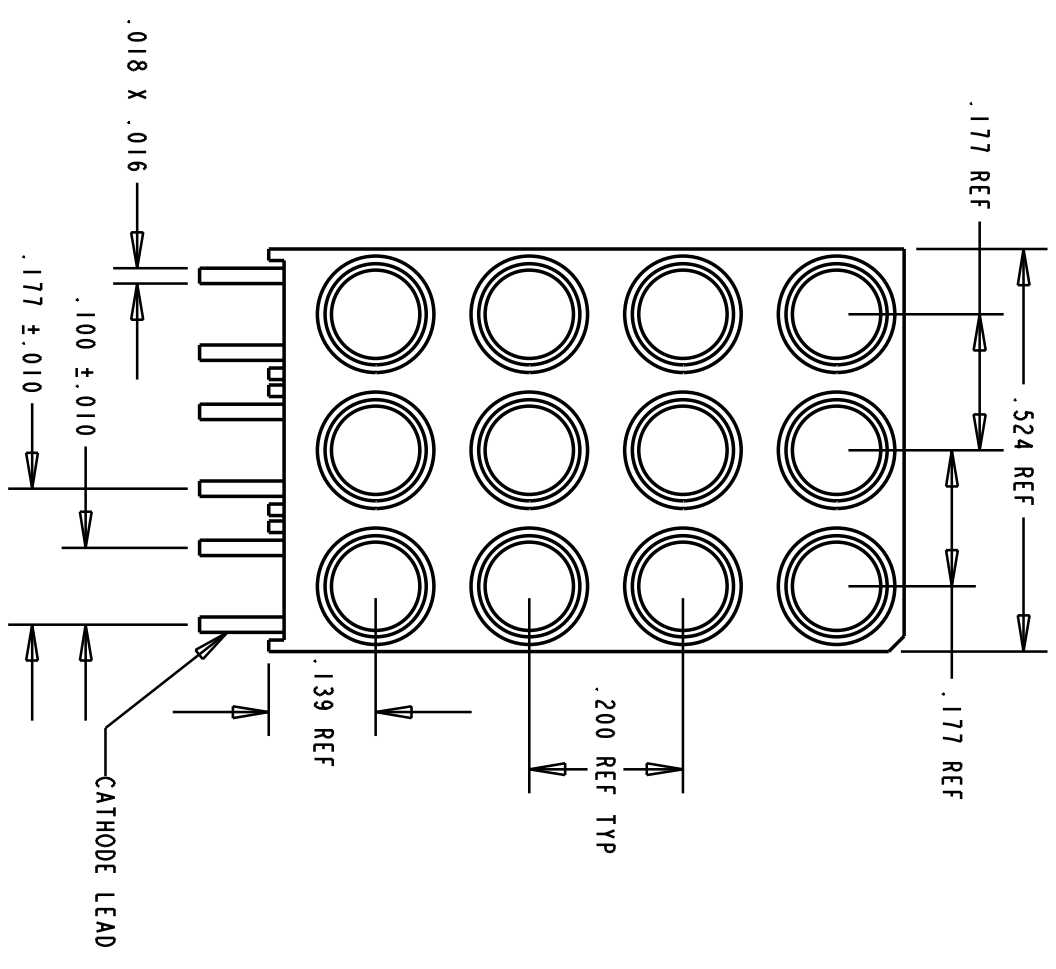


PART NUMBER	POSITION 1	POSITION 2	POSITION 3	POSITION 4
568-0141-1113	RED DIFFUSED	RED DIFFUSED	RED DIFFUSED	RED DIFFUSED
568-0142-2223	GREEN DIFFUSED	GREEN DIFFUSED	GREEN DIFFUSED	GREEN DIFFUSED
568-0143-3333	YELLOW DIFFUSED	YELLOW DIFFUSED	YELLOW DIFFUSED	YELLOW DIFFUSED



REV.	ECN NO.	REVISIONS	DRN.	CKD.	APP.	DATE
A		NEW RELEASE		TC		



- NOTES:
- 1- LEADS TO FIT INTO HOLES SPACED AS PER HOLE PATTERN
 - 2- LEADS TO BE FREE OF DEFORMATION AFTER BENDING AND CUTTING
 - 3- PIN NUMBERS FOR REFERENCE ONLY, DESIGNATION NON-EXISTENT ON PART
 - 4- LED LEAD DIMENSIONS SHOWN ARE MEASURED AT HOUSING EXIT
 - 5- PACKAGING = 105 BLOCKS PER TRAY
 - 6- DIALIGHT PART NUMBER: 568-014X-XXXX

OPERATING CHARACTERISTICS AT 25°C AMBIENT						
CHARACTERISTICS	LED COLOR	MIN	TYP	MAX	UNITS	TEST CONDITIONS
LUMINOUS INTENSITY	RED	7.4	10.0		mc/d	I _f = 10 mA
	GREEN	4.7	12.6			
	YELLOW	7.4	10.0			
FORWARD VOLTAGE	RED		2.0	2.8	V	I _f = 20 mA
	GREEN		2.1	2.8		
	YELLOW		2.1	2.8		
REVERSE CURRENT	ALL		100		µA	V _R = 5 V
	RED		635			
	GREEN		565			
PEAK WAVELENGTH	RED		585		nm	
	GREEN		565			
	YELLOW		585			
VIEWING ANGLE	ALL		60		Degree	
	RED		20			
	GREEN		35			
CAPACITANCE	RED				pF	V _f = 0, f = 1MHz
	GREEN					
	YELLOW					

ABSOLUTE MAXIMUM RATING AT 25°C AMBIENT			
POWER DISSIPATION	UNITS	RED	GREEN
DERATE LINEARLY FROM 50°C	mW	100	100
CONTINUOUS FORWARD CURRENT	mA/°C	0.4	0.4
PEAK FORWARD CURRENT (1/10 DUTY CYCLE, 0.1 ms PULSE WIDTH)	mA	30	30
LEAD SOLDERING TEMPERATURE, 5 SEC., 1/16" FROM BODY	°C	260	260
OPERATING TEMPERATURE	°C	-55 TO +100	-55 TO +100
STORAGE TEMPERATURE	°C	-55 TO +100	-55 TO +100

THIS DRAWING AND THE CONTENTS HEREIN ARE CONFIDENTIAL AND THE SOLE PROPERTY OF DIALIGHT. REPRODUCTION OF THIS DRAWING OR CONSTRUCTION OF ANY PARTS WITHIN THIS DRAWING ARE FORBIDDEN WITHOUT THE WRITTEN CONSENT OF DIALIGHT.

SCALE 4:1

ALL DIM'S IN: INCHES

TOLERANCES: UNLESS OTHERWISE SPECIFIED

FRACTIONS: ±1/64

DECIMALS (.XX): ±.020

DECIMALS (.XXX): ±.015

DECIMALS (.XXXX): ±.015

ANGLES: ±3°

FINISH:

FSCM 83330

DRAWING NUMBER C-16594

TITLE 4X3 CBI ARRAY BLOCK

MATERIAL

Dialight

1913 ATLANTIC AVE. MANASSAQUAN, N.J. 08736

SHEET OF FAMILY TABLE:

查询"568-0143-3333"供应商

