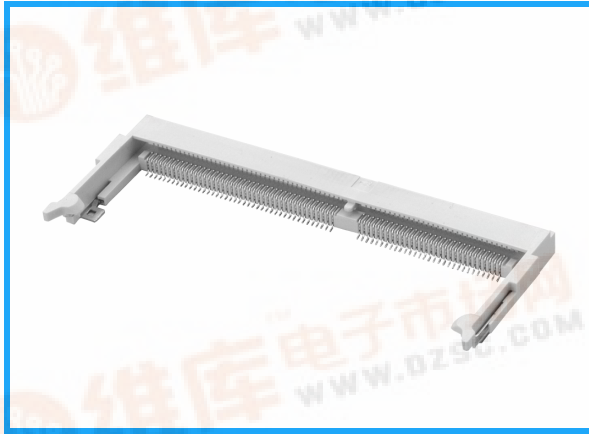


# SO-DIMM Socket for Memory Expansion

[查询"DMM3-RS144A2B-13"供应商](#)

Comforming to JEDEC Standard DMM3 Series, 144 Contacts,  
0.8mm Pitch



- Notebook computers, palmtop computers and handheld devices

## FEATURE

- Applicable to 144-position SO-DIMM module board per JEDEC standard
- Easy mating and unmating with unique locking and ejecting system
- Surface mount design
- Voltage keying design for 3.3V modules

G

DMM3(144)

## SPECIFICATION

Voltage rating	100V AC (rms)
Current rating	0.5A/contact
Dielectric withstanding voltage	250V AC (rms) for 1 minute
Insulation resistance	250M $\Omega$ min. at 250V DC
Contact resistance	40m $\Omega$ max.

## MATERIAL/FINISH

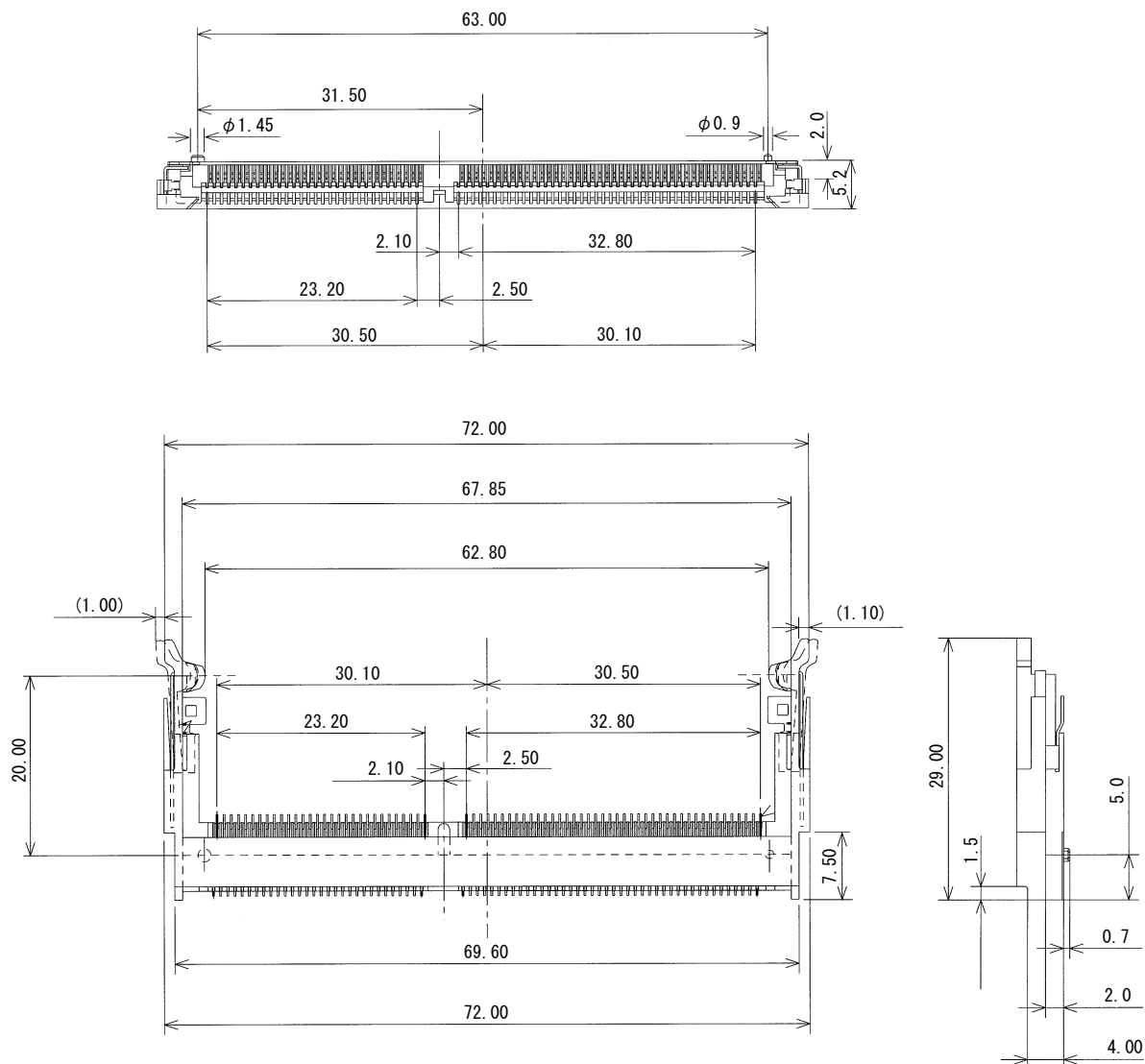
Contact/Finish	Copper alloy/Gold over Nickel plating (mating), Tin-Lead (tail)
Insulator	LCP resin (UL94V-0)/Ivory
Locking Tab	Copper alloy/Solder plating

# DMM3 Series (144 Contacts)

查询"DMM3-RS144A2B-13"供应商

Unit : mm

## DMM3-RS144A2B-13



G  
DMM3(144)

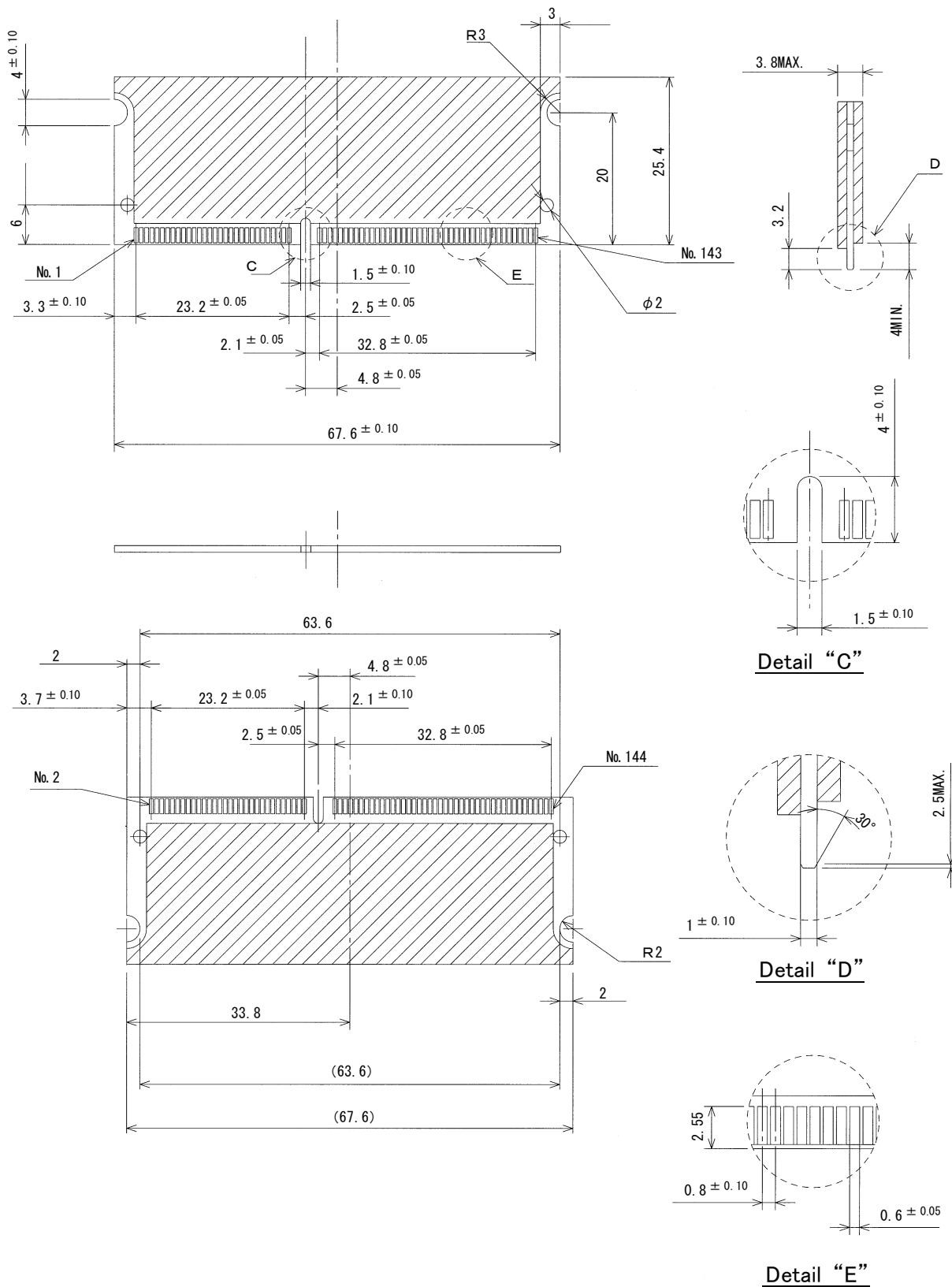


# DMM3 Series (144 Contacts)

查询"DMM3-RS144A2B-13"供应商

Unit : mm

## Module Dimensions



G  
DMM3(144)

**This datasheet has been downloaded from:**

**[www.EEworld.com.cn](http://www.EEworld.com.cn)**

**Free Download**

**Daily Updated Database**

**100% Free Datasheet Search Site**

**100% Free IC Replacement Search Site**

**Convenient Electronic Dictionary**

**Fast Search System**

**[www.EEworld.com.cn](http://www.EEworld.com.cn)**