

SEMELAB

SEMELAB LTD T.27.01

BI-POLAR TRANSISTORS (CECC AND HIGH REL) & HIGH ENERGY

Type Number	Rel Code	Pol	Package	V _{ceo}	I _c (cont)	Hfe	@ V _{ce} /I _c	fT	Pd
2N3036	HR	NPN	T039	80	1.2	40min	10/10m	50M	0.8
2N3053	HR	NPN	T039	40	0.7	50-120	10/0.15	100M	0.8
2N3053L	HR	NPN	T05	40	0.7	50-120	10/0.15	100M	0.8
2N3054	HR	NPN	T066	55	4	25-100	4/0.5	0.8M	25
2N3055	CECC	NPN	T03	60	15	20min	4/4	0.8M	115
2N3055/5	HR	NPN	T03	30	15	14min	4/4	0.8M	115
2N3055/6	HR	NPN	T03	100	15	15-70	4/4	0.8M	115
2N3055/7	HR	NPN	T03	100	15	15-70	4/3	0.8M	115
2N3055E	CECC	NPN	T03	60	15	20-70	4/4	2.5M	115
2N3055H	HR	NPN	T03	60	15	20min	4/4	0.8M	115
2N3109	HR	NPN	T039	40	1	100-300	1/0.15	70M	0.8
2N3110	HR	NPN	T039	40	1	40-120	1/0.15	70M	0.8
2N3114	HR	NPN	T039	150	0.1	30-120	10/30m	40M	0.8
2N3167	HR	PNP	T053	40	3	12-36	3/1	1M	85
2N3168	HR	PNP	T053	60	3	12-36	3/1	1M	85
2N3169	HR	PNP	T053	80	3	12-36	3/1	1M	85
2N3170	HR	PNP	T053	100	3	12-36	3/1	1M	85
2N3171	HR	PNP	T03	40	3	12-36	3/1	1M	75
2N3172	HR	PNP	T03	60	3	12-36	3/1	1M	75
2N3173	HR	PNP	T03	80	3	12-36	3/1	1M	75
2N3174	HR	PNP	T03	100	3	12-36	3/1	1M	75
2N3209	HR	PNP	T018	20	0.2	30-120	0.5/30m	400M	0.36
2N3209L	HR	PNP	T018L	20	0.2	30-120	0.5/30m	400M	0.36
2N3250	REQ	PNP	T018	40	0.2	50min	10/0.1	250M	0.36
2N3250A	REQ	PNP	T018	60	0.2	50min	10/0.1	250M	0.36
2N3251	REQ	PNP	T018	40	0.2	100min	10/0.1	300M	0.36
2N3251A	REQ	PNP	T018	60	0.2	100min	10/0.1	300M	0.36
2N3252	REQ	NPN	T039	30	1	30-90	1/0.5	200M	1
2N3253	REQ	NPN	T039	40	1	25-75	1/0.5	200M	1
2N3300	REQ	NPN	T039	30	0.5	35min	10/10m	800M	0.8
2N3347	HR	PNP	T077	45	30m	40-300	5/10u	60M	0.6
2N3348	HR	PNP	T077	45	30m	40-300	5/10u	60M	0.6
2N3349	HR	PNP	T077	45	30m	40-300	5/10u	60M	0.6
2N3350	HR	PNP	T077	40	0.2	50-150	1/10m	250M	0.36
2N3351	HR	PNP	T077	40	0.2	100-300	1/10m	300M	0.36
2N3352	HR	PNP	T077	40	0.2	100-300	1/10m	300M	0.36
2N3410	HR	NPN	T077						
2N3411	HR	NPN	T077						
2N3420	HR	NPN	T039	60	3	40-120	2/1	40M	0.8
2N3421	HR	NPN	T039	80	3	40-120	2/1	40M	0.8
2N3421LP	HR	NPN	T039LP	80	3	40-120	2/1	40M	0.8
2N3439	CECC	NPN	T039	300	1	40-160	10/20m	15M	5
2N3440	CECC	NPN	T039	250	1	40-160	10/20m	15M	5
2N3440S	CECC	NPN	T039	250	1	40-160	10/20m	15M	5
2N3441	REQ	NPN	T066	140	3	25-100	4/0.5	25	
2N3444	REQ	NPN	T039	50	1	20-60	1/0.5	200M	1
2N3445	REQ	NPN	T03	60	7.5	20-60	5/2 5		115
2N3446	REQ	NPN	T03	80	7.5	20-60	5/2 5		115
2N3447	REQ	NPN	T03	60	7.5	40-120	5/2 5		115
2N3448	REQ	NPN	T03	80	7.5	40-120	5/2 5		115
2N3467	HR	PNP	T039	40	1	40-125	1/0.5	175M	1
2N3468	HR	PNP	T039	50	1	25-75	1/0.5	150M	1
2N3485	HR	PNP	T046	40	0.6	40-120	10/0.15	200M	0.4
2N3485A	HR	PNP	T046	60	0.6	40-120	10/0.15	200M	0.4
2N3486	HR	PNP	T046	40	0.6	40-120	10/0.15	200M	0.4
2N3486A	HR	PNP	T046	60	0.6	40-120	10/0.15	200M	0.4
2N3500	HR	NPN	T039	150	0.3	40-120	10/0.15	150M	5

HI-REL

2N2221ADCSM	2N3348DCSM
2N2221DCSM	2N3349DCSM
2N2222ADCSM	2N3350DCSM
2N2222DCSM	2N3351DCSM
2N2399ADCSM	2N3352DCSM
2N2453DCSM	2N3410DCSM
2N2639DCSM	2N3680DCSM
2N2640DCSM	2N3807DCSM
2N2641DCSM	2N3808DCSM
2N2642DCSM	2N3809DCSM
2N2643DCSM	2N3810DCSM
2N2644DCSM	2N3811ADCSM
2N2894DCSM	2N3811DCSM
2N2906ADCSM	2N3904DCSM
2N2907ADCSM	2N4937DCSM
2N2913DCSM	2N4938DCSM
2N2914DCSM	BFX80DCSM
2N2915DCSM	BFX81DCSM
2N2916DCSM	BFY81DCSM
2N2917DCSM	BFY82DCSM
2N2918DCSM	BFY84DCSM
2N2919DCSM	
2N2920DCSM	
2N2979DCSM	
2N3209DCSM	
2N3250DCSM	

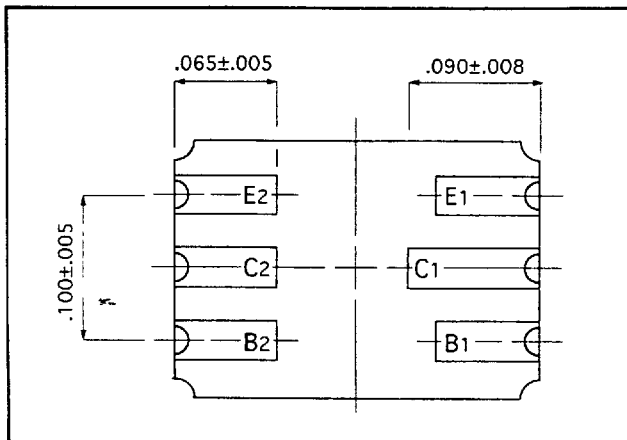
查询DCSM67"供应商

diodes with excellent temperature and reliability under all conditions, dual die ceramic range

Like the smaller single die device, this variant is a reliability application for space vehicles through harsh environments. This version is regarded as

Devices are available to your own specification and in accordance with SEMELAB approval. CECC approval can be available in 1993

Information on this product. Reliability products. SEMELAB or any any



SEMELAB plc
Coventry Road, Lutterworth
Leicestershire. LE17 7
ENGLAND

Tel: 44 (0) 455 55
Fax: 44 (0) 455 55
Telex: 341927