

RL28-55/82b/105/...

[查询"419081"供应商](#)

Reflection light beam switch with polarisation filter

RL28-55/82b/105/...

with 5-pin, M12 x 1 plastic connector

CE

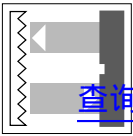


- ◆ Detection range up to 16 m
- ◆ PNP and NPN transistor outputs
- ◆ Clearly visible LEDs for Power ON, switching state and stability control
- ◆ Sensitivity adjuster and light/dark switch as standard features of this series
- ◆ Not sensitive to ambient light, even with energy saving lamps
- ◆ Dove-tail mounts and pass-through mounting holes
- ◆ Large temperature range from -40 °C ... +60 °C
- ◆ Waterproof, protection class IP67

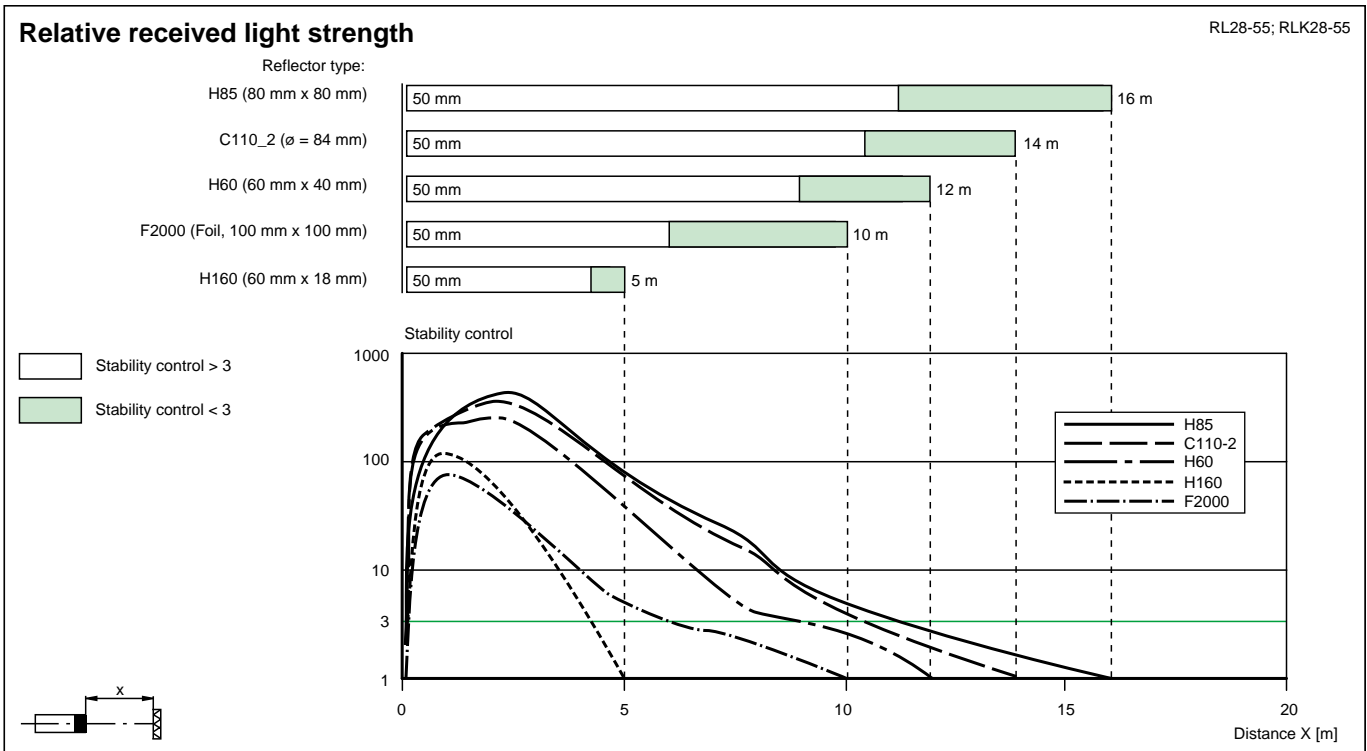
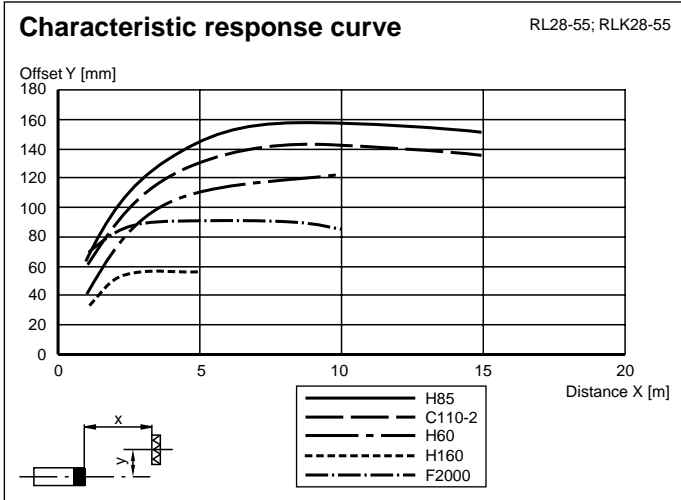
Series
28

For suitable cable sockets, reflectors and mounting aids refer to chapter "accessories".

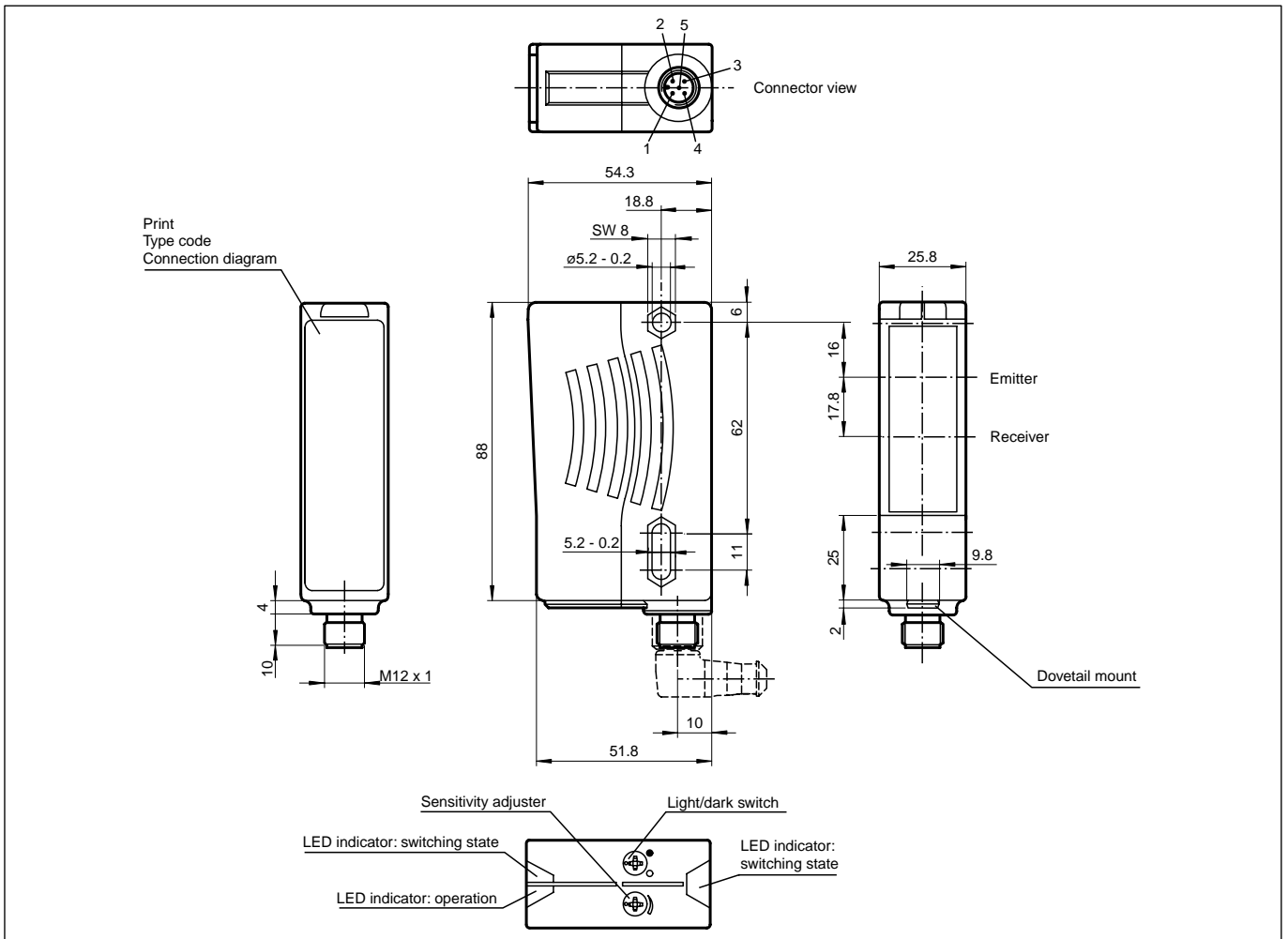
Ordering code		RL28-55/47/82b/105	RL28-55/49/82b/105	RL28-55/82b/105/110
Effective detection range	0 ... 12 m	◆	◆	◆
Threshold detection range	16 m (with H85 reflector)	◆	◆	◆
Reflector distance	50 ... 12000 mm	◆	◆	◆
Light type	Red, alternating light	◆	◆	◆
Light source	LED	◆	◆	◆
Angle of divergence	transmitter 1.2° receiver 2°	◆	◆	◆
Diameter of the light spot	approx. 200 mm at a distance of 12 m	◆	◆	◆
Ambient light limit	80000 Lux	◆	◆	◆
Standard conformity	EN 60947-5-2	◆	◆	◆
Approvals	CE	◆	◆	◆
USA	UL	◆	◆	◆
Kanada	CSA	◆	◆	◆
Operating display	LED green	◆	◆	◆
Function display	2 LEDs yellow, light up when light beam is free, flash when falling short of the stability control, off when light beam is interrupted	◆	◆	◆
Controls	rotary switch for light/dark	◆	◆	◆
Controls	sensitivity adjuster	◆	◆	◆
Operating voltage	10 ... 30 V DC	◆	◆	◆
Ripple	10 %	◆	◆	◆
No-load supply current	≤ 40 mA	◆	◆	◆
Signal output	2 pnp antivalent, short-circuit proof, protected against reverse polarity	◆		
	1 npn, 1 pnp synchronised-switching, short-circuit proof, protected against reverse polarity		◆	
	1 push-pull output, short-circuit proof, protected against reverse polarity			◆
Switching type	Light/dark ON, switchable	◆	◆	◆
Switching voltage	max. 30 V DC	◆	◆	◆
Switching current	max. 200 mA	◆	◆	◆
Switching frequency	1000 Hz	◆	◆	◆
Response time	0.5 ms	◆	◆	◆
Output of the pre-fault indication	1 npn, inactive when falling short of the stability control for 10 s immediately inactive if 4 light beam interruptions take place	◆	◆	◆
Ambient temperature	-40 ... +60 °C	◆	◆	◆
Storage temperature	-40 ... +75 °C	◆	◆	◆
Protection degree	IP67	◆	◆	◆
Connection type	5-pin, M12 connector	◆	◆	◆
Housing	Plastic ABS	◆	◆	◆
Light exit	Plastic	◆	◆	◆
Mass	70 g	◆	◆	◆



Diagrams



Dimensions



Electrical Connection

