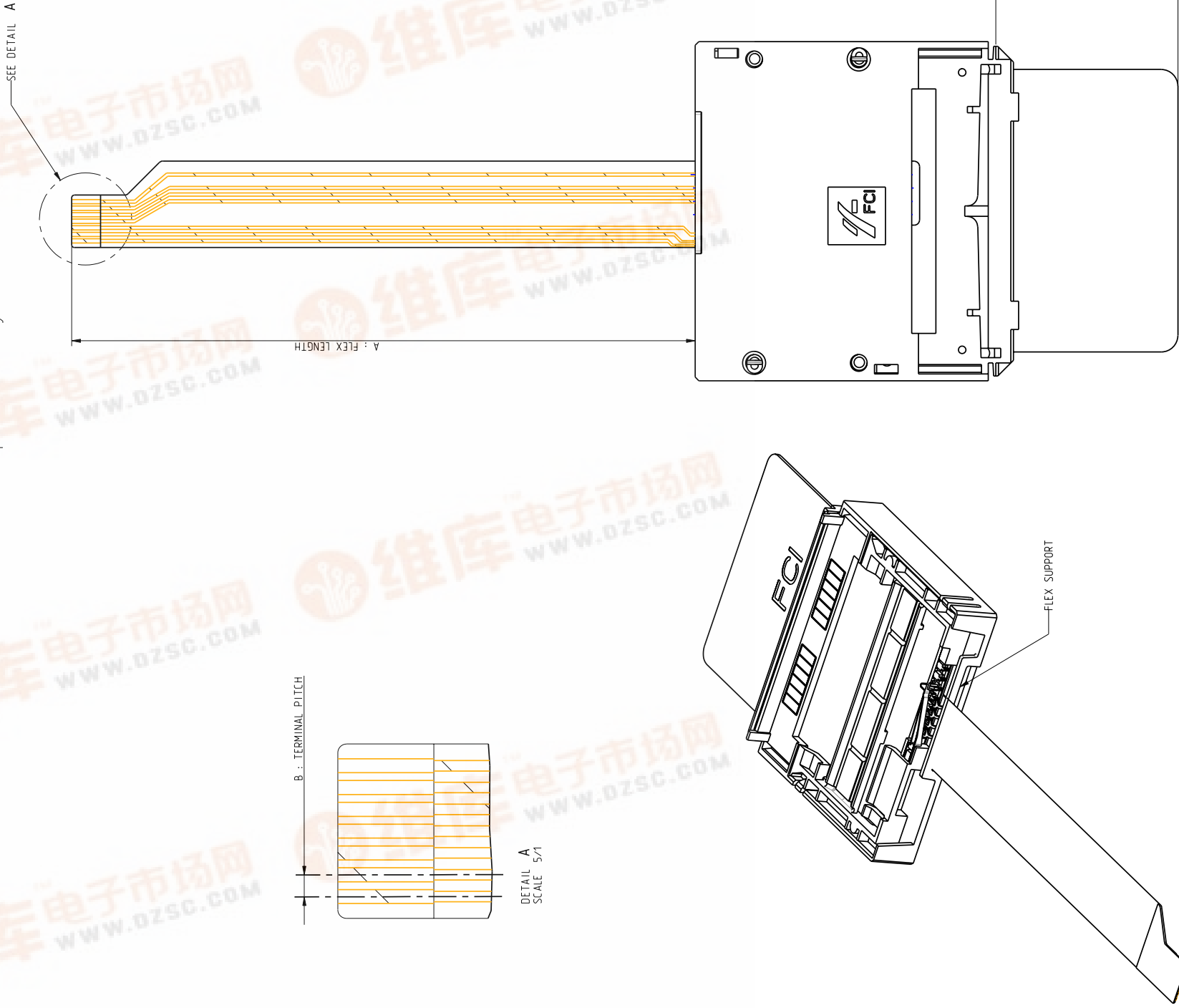


7361Z0001SxxLF

Lead Free Version (Optional)
Customer Specificity



GENERAL

This Smart Card Reader uses a sliding contact technology. It has been designed for easy mounting on metal panel.

ELECTRICAL PROPERTIES

Insulation resistance : 5000 M
Dielectric withstanding : 750 VAC
Current carrying capacity : 10 μ A min. 1A max.
Contact resistance : 100 m
Card sensor type : Blade switch normally closed

MECHANICAL PROPERTIES

EMV compatible and according to ISO 7816-2
Contact normal force : between 0.2 N to 0.6 N per contact
Insertion force : 10 N max.
Withdrawal force : 1 N min.
Max. number of mating operations : 10000 card insertions.

CAPACITOR :

100nF, chip size 0805 in (2012 mm), Y5V, 25V or 50V

READER MATERIAL

Housing : Thermoplastique, 30% GF, Colour black, Rated UL94V0
Contacts and switch : Phosphor bronze
Plating : precoat Nickel 2.5 μ m min. all over
Gold 0.2 μ m min. on contacts areas
SnPB 3 μ m min. on termination contacts for Leaded version
Matte Sn 3 μ on termination end for Leadfree version

ENVIRONMENT

Operating temperature : -20°C / +70°C
Storage temperature : -40°C / +85°C
Panel thickness : 0.8+-0.1 mm

PACKAGING

Trays
Packaging specification : VGN11646

LEAD FREE VERSION:

"This product meets European Union Directives and other country regulations as described in GS-22-008"

The housing will withstand exposure to 260°C peak temperature for 10seconds in a wave solder application with a 1.6mm minimum thick circuit board. Use protective adhesive tape (Kapton or Teflon) or protective metallic devices on the areas which are directly exposed to wave soldering as it is used in classical leaded wave soldering

		www.fciconnect.com		tolerance Lin ± 0.1 Ang $\pm 0.5^\circ$	projection 	MM
Dr	DILIPTHOMAS	'05/08/20	Product family	size	A2	Scale 1/2
Eng	DILIPTHOMAS	'05/08/20	Spec ref	SEE NOTES	ECN	105-0158
Chr	N. TWINCY	'05/09/11	Material			
Appr	N. TWINCY	'05/09/11				
Rev.	READER PANEL MOUNT					
++	SMARTCARD					
++	catalog no		SEE TABLE CUSTOMER COPY			
++			VJW5019			
++			Rev. B			
++			sheet 1 of 3			

Tr	ecn no	dr	date
B	105-0158	DTK	'05/09/11
-	-	-	-
-	-	-	-
-	-	-	-
-	-	-	-
-	-	-	-
-	-	-	-
-	-	-	-

SCALE 3/2

SCALE 19/15

7x61Z0001SxxLF

Lead Free Version (Optional)
Customer Specificity

X=3, STANDARD TRAY
X=5, ANTISTATIC TRAY

LIST OF PART NUMBERS

PRODUCT NUMBER	A: FLEX LENGTH (mm)	B: TERMINAL PITCH (mm)	NUMBER OF TRACKS	FLEX FORM	CAPACITOR NUMBER	CONTACT NUMBER	C: DISTANCE PANEL/CARD (mm)	PACKING TYPE
7361Z0001S13	96	1	10	STRAIGHT	2	8 : ISO	35	A
7361Z0001S14	101	1	10	STRAIGHT	2	16 ISO+AFNDR	35	A
7361Z0001S15	96	1	10	STRAIGHT	2	8 : ISO	25	A
7361Z0001S22	156	1.25	10	STRAIGHT	1	16 ISO+AFNDR	35	A
7361Z0001S29	58	1.25	10	STRAIGHT	NONE	8 : ISO	35	A
7561Z0001S29	58	1.25	10	STRAIGHT	NONE	8 : ISO	35	A
7361Z0001S31	58	1.25	10	STRAIGHT	NONE	8 : ISO	25	A
7361Z0001S33	58	1.25	10	STRAIGHT	1	8 : ISO	35	A
7361Z0001S35	120	1.25	10	STRAIGHT	1	8 : ISO	35	A
7361Z0001S36	120	1.25	10	STRAIGHT	1	8 : ISO	15	B
7361Z0001S37	58	1.25	10	STRAIGHT	NONE	8 : ISO	15	B
7361Z0001S38	85	1.25	10	STRAIGHT	1	16 ISO+AFNDR	35	A
7361Z0001S39	58	1.25	10	STRAIGHT	NONE	8 : ISO	35	A
7361Z0001S40	118	1.25	7	STRAIGHT	1	8 : ISO	35	C
7361Z0001S41	118	1.25	7	STRAIGHT	1	8 : ISO	15	B
7361Z0001S42	60	1.25	7	STRAIGHT	NONE	8 : ISO	25	A
7361Z0001S43	58	1.25	10	STRAIGHT	1	8 : ISO	25	A

PACKING TYPE:
A : 28 CONNECTORS / TRAY
420 CONNECTORS / SHIPPING BOX
B : 25 CONNECTORS / BLOCK
500 CONNECTORS / SHIPPING BOX
C : 12 CONNECTORS / TRAY
120 CONNECTORS / SHIPPING BOX



All rights strictly reserved. Reproduction or issue in third parties is not permitted without written authority from the proprietor.
Tous droits strictement reserves. Reproduction ou communication a des tiers sans autorisation écrite du propriétaire.
Indicite sous quelque forme que ce soit sans autorisation écrite du propriétaire.
Proprété de FCI. Droits de reproduction FCI.

www.fciconnect.com		tolerance Lin ±0.1 Ang ±0.5°	projection MM
Dr DILIPTHOMAS '05/08/20	Product family	size A2	Scale I/I
Eng DILIPTHOMAS '05/08/20	Spec ref	SEE NOTES ECN	105-0158
Chr N.TWINCY '05/09/11	Material		
Appr N.TWINCY '05/09/11			
READER PANEL MOUNT		Rev. VJW5019	
SMARTCARD		SEE TABLE CUSTOMER COPY	
catalog no		sheet 3 of 3	