

Reception Analog Signal Processor IC for Infrared Space Digital Audio Communication

Description

The CXA3668N is an IC that performs reception side analog signal processing for optical communication in combination with an infrared photodiode within a Digital Infrared Audio Transmission (DIAT) system.

This IC incorporates a low noise trans-conductance amplifier (I/V amplifier) that converts the optical current from the photodiode into a voltage and amplifies it, an AGC amplifier, a low-pass filter, band-pass filters, and an output amplifier.

The band-pass filters are used to separate the desired signal and the interfering signal. This chip has the two types of Full (3 to 6MHz) and Half (3 to 4.5MHz) band-pass filters, and these can be switched according to the application.

- Full: Full-band width (3 to 6MHz)
- Half: Half-band width (3 to 4.5MHz)

Features

- Wide dynamic range
- On-chip I/V amplifier
- On-chip output filter
- Filter band switching pin
- Surface mounting package (24-pin SSOP)

Applications

- Infrared headphones
- Infrared speakers

Structure

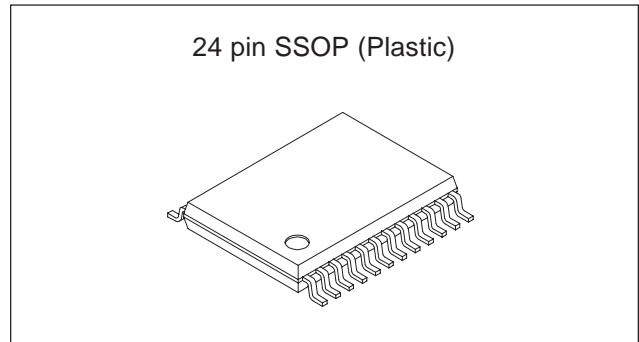
Bi-CMOS IC

Absolute Maximum Ratings (Ta = 25°C)

• Supply voltage	Vcc1, Vcc2, VccS, VccO	3.3	V
• Storage temperature	Tstg	-55 to +150	°C
• Allowable power dissipation	Pd	400	mW

Recommended Operating Conditions

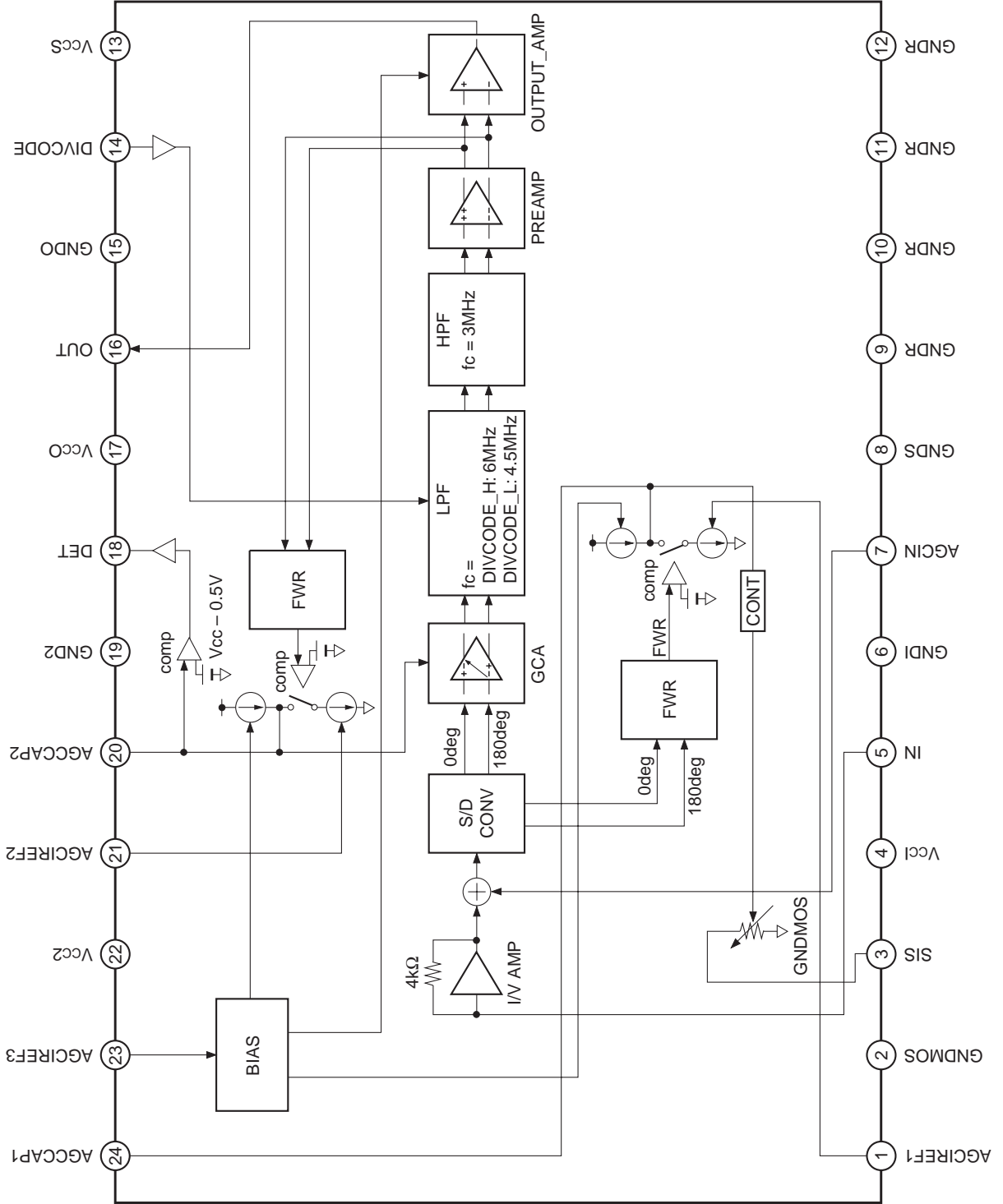
• Supply voltage	Vcc1, Vcc2, VccS, VccO	2.3 to 2.7	V
• Operating temperature	Topr	-40 to +85	°C



Sony reserves the right to change products and specifications without prior notice. This information does not convey any license by any implication or otherwise under any patents or other right. Application circuits shown, if any, are typical examples illustrating the operation of the devices. Sony cannot assume responsibility for any problems arising out of the use of these circuits.

[查询"CXA3668N"供应商](#)

Pin Configuration and Block Diagram



[查询"CXA3668N"供应商](#)

Pin Description

Pin No.	Symbol	I/O	Standard voltage level	Equivalent circuit	Description
1	AGCIREF1		0.2V		<p>Reference current generation for determining the input AGC attack time.</p> <p>Connect to GND2 through a 390Ω or more resistor. Reducing the resistance value shortens the attack time.</p>
2	GNDMOS		GND		Input block shunt GND.
3	SIS	O	0V		<p>Shunt input. This shunts the optical current of the photodiode and applies the AGC.</p>
4	Vcc1		+2.5V (Typ.)		Input block power supply.
5	IN	I	0.8V		<p>Photodiode input. This is the current-voltage conversion input for amplifying the photodiode current.</p> <p>Input impedance: approximately 60Ω</p>
6	GNDI		GND		Input block GND.
7	AGCIN	I	1.1V		AGC input.
8	GNDS		GND		Signal processing block GND.
9, 10, 11, 12	GNDR		GND		GND.
13	VccS		+2.5V (Typ.)		Signal processing block power supply.

[查询"CXA3668N"供应商](#)

Pin No.	Symbol	I/O	Standard voltage level	Equivalent circuit	Description
14	DIVCODE	I			<p>Filter characteristics switching.</p> <ul style="list-style-type: none"> • Low: Full-band BPF (3 to 6MHz) • High: Half-band BPF (3 to 4.5MHz) <p>Logic level:</p> <ul style="list-style-type: none"> • Low: 0 to 0.5V • High: 1.5V to Vcc
15	GNDO		GND		Output amplifier block GND.
16	OUT	O	1.25V		<p>Signal output. The load capacitance should be as small as possible to ensure stable output.</p> <ul style="list-style-type: none"> • Load resistance: 3kΩ or more • Load capacitance: 18pF or less
17	VccO		+2.5V (Typ.)		Output amplifier block power supply.
18	DET	O			<p>Input level detection. This detects whether the input level is the prescribed value, and outputs the judgment results. This pin outputs low when the input level is 0.05μAp-p or less, and high when the input level is 0.3μAp-p or more.</p>
19	GND2		GND		AGC GND.
20	AGCCAP2				<p>AGC2 response setting. Connect to Vcc2 through a capacitor.</p>

[查询"CXA3668N"供应商](#)

Pin No.	Symbol	I/O	Standard voltage level	Equivalent circuit	Description
21	AGCIREF2		0.2V		<p>Reference current generation for determining the AGC2 attack time.</p> <p>Connect to GND2 through a 390Ω or more resistor.</p> <p>Reducing the resistance value shortens the attack time.</p>
22	Vcc2		+2.5V (Typ.)		AGC power supply.
23	AGCIREF3		1.25V		<p>Reference current generation for determining the input AGC and the AGC2 recovery time.</p> <p>Connect to Vcc2 through a 33kΩ resistor.</p>
24	AGCCAP1				<p>Input AGC response setting.</p> <p>Connect to Vcc2 through a capacitor.</p>

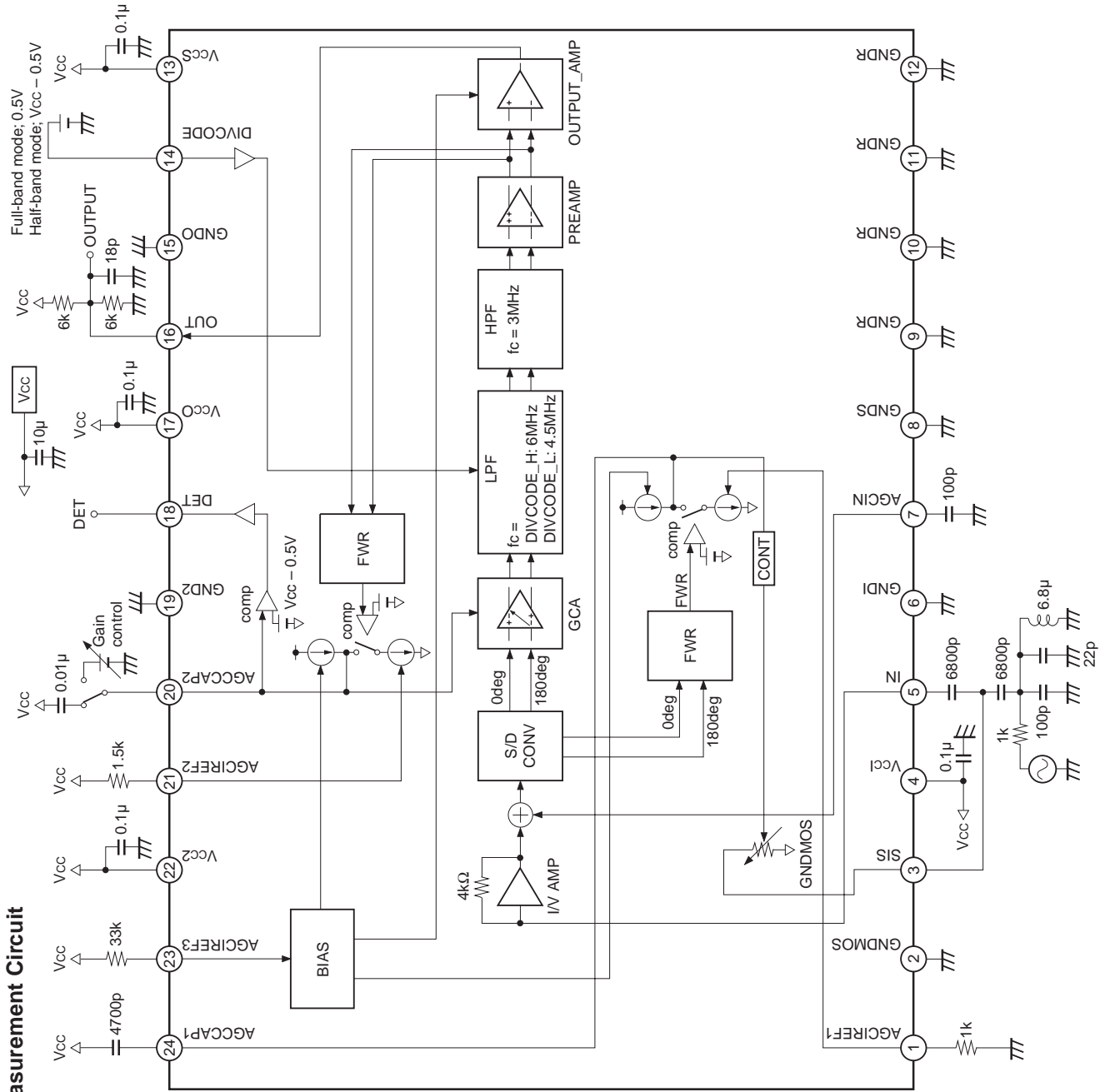
[查询"CXA3668N"供应商](#)

Electrical Characteristics

(Ta = 25°C, Vcc1, Vcc2, VccS, VccO = 2.5V)

Item	Conditions	Min.	Typ.	Max.	Unit
Supply voltage Vcc	(Vcc1, Vcc2, VccS, VccO = Vcc)	2.3	2.5	2.7	V
Current consumption (1) Icc1 (H)	100μAp-p, Icc total	10	18	25	mA
Current consumption difference (2) dIcc1 (L)	300μAp-p, dIcc1 (L) = Icc1 (L) – Icc1	–100	30	100	μA
AGC variable range	Input signal (1mAp-p/0.25μAp-p)	72			dB
Output amplitude (1)	0.1μAp-p input, load 3kΩ, 18pF	0.2	—	—	Vp-p
Output amplitude (2)	100μAp-p input, load 3kΩ, 18pF	1.5	—	2.0	Vp-p
[BPF characteristics]					
Full BPF-1	< 2.0/4.5MHz	—	—	–30	dB
Full BPF-2	3.15/4.5MHz	–3	0	3	dB
Full BPF-3	5.85/4.5MHz	–3	0	3	dB
Full BPF-4	> 8.0/4.5MHz	—	—	–36.1	dB
Half Low BPF-1	< 2.0/3.75MHz	—	—	–30	dB
Half Low BPF-2	3.15/3.75MHz	–3	0	3	dB
Half Low BPF-3	4.35/3.75MHz	–3	0	3	dB
Half Low BPF-4	> 5.8/3.75MHz	—	—	–36.1	dB
S/N (1)	100μAp-p input	40	—	—	dB
S/N (2)	0.1μAp-p input	20	—	—	dB
Output secondary distortion	100μAp-p input	30	—	—	dB

[查询"CXA3668N"供应商](#)



Electrical Characteristics Measurement Circuit

[查询"CXA3668N"供应商](#)

Description of Operation

(1) Trans-impedance amplifier circuit (I/V amplifier)

The input block is comprised of the trans-impedance amplifier circuit which converts the optical current I_p from the photodiode into a current, and the AGCATT circuit.

Fig. 1 shows the I/V amplifier equivalent circuit.

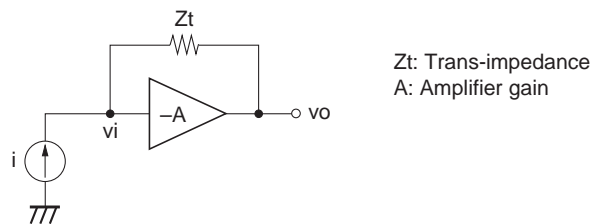


Fig. 1

The following equations are satisfied in the circuit shown in Fig. 1.

$$v_o = -A \times v_i$$

$$v_i - v_o = i \times Z_t$$

The input impedance Z_i of the I/V amplifier is obtained from these equations as follows.

$$Z_i = v_i / i = Z_t / (1 + A)$$

The trans-impedance Z_t of this IC is $4\text{k}\Omega$ (typ.) and the amplifier gain A is 65 times (typ.), so Z_i is 60.6Ω (typ.).

(2) AGC ATT

The IC operates at an input optical current of up to $1\text{mA}_{\text{p-p}}$ (max.), so the trans-impedance input current I_t is controlled so that the trans-impedance amplifier circuit does not produce a saturated state.

Labeling the SIS impedance as Z_s , $I_t = I_p \times Z_s / (Z_s + Z_{\text{in}})$.

It is controlled so that the trans-impedance amplifier circuit output does not go to $250\text{mV}_{\text{p-p}}$ or more, and when I_p is $63.5\mu\text{A}_{\text{p-p}}$ or less, $I_t = I_p$ ($Z_s \gg Z_{\text{in}}$).

When I_p is $63.5\mu\text{A}_{\text{p-p}}$ or more and $1\text{mA}_{\text{p-p}}$ or less, Z_s decreases and I_p goes to $63.5\mu\text{A}_{\text{p-p}}$ so that the trans-impedance output level is $250\text{mV}_{\text{p-p}}$.

- The AGC ATT attack time and recovery time response are as follows.

The attack time and the recovery time are determined by the capacitor C_a connected between AGCCAP1 (Pin 24) and $V_{\text{CC}2}$. Increasing the C_a value lengthens both the attack time and the recovery time, and reducing the C_a value shortens both the attack time and the recovery time.

The reference current ($I_{\text{at}} = 0.2/R_{\text{aa}}$) used to determine the attack time is determined by the resistor R_{aa} connected between AGCIREF1 (Pin 1) and GND. Reducing the resistance value increases the reference current and shortens the attack time. Increasing the resistance value lengthens the attack time.

The reference current ($I_{\text{ar}} = 0.625/R_{\text{ar}}$) used to determine the recovery time is determined by the resistor R_{ar} connected between AGCIREF3 (Pin 23) and V_{CC} . Use a R_{ar} of $33\text{k}\Omega$.

[查询"CXA3668N"供应商](#)

(3) IN frequency response

Fig. 2 shows the IN input circuit.

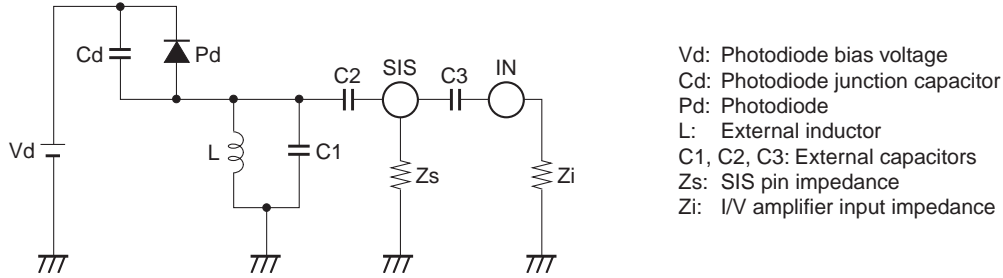


Fig. 2

(1) When the photodiode current $I_p \leq 63.5\mu A_{p-p}$

Z_s goes to $100k\Omega$ and can be ignored. The circuit in Fig. 2 can be expressed by the equivalent circuit in Fig. 3.

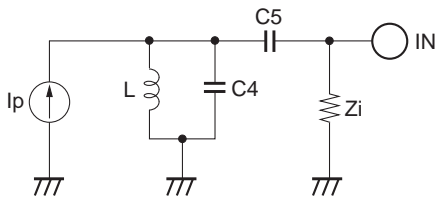


Fig. 3

However, C_4 and C_5 are as follows.

$$C_4 = C_1 + C_d$$

$$C_5 = C_2/2 \text{ (however, } C_2 = C_3)$$

The IN voltage V_I is obtained from the equivalent circuit in Fig. 3 as follows.

$$V_I = \frac{\frac{S^2}{C_4}}{S^3 + \left(\frac{1}{C_4} + \frac{1}{C_5}\right) \frac{s^2}{Z_i} + \frac{s}{C_4 L} + \frac{1}{C_4 C_5 L Z_i}} \times I_p$$

V_I/I_p (Ga) is as follows.

$$Ga = \frac{V_I}{I_p} = \frac{-\frac{\omega^2}{C_4}}{\left[\frac{1}{C_4 C_5 L Z_i} - \left(\frac{1}{C_4} + \frac{1}{C_5}\right) \frac{\omega^2}{Z_i} \right] + j \left(\frac{\omega}{C_4 L} + \frac{1}{C_4 C_5 L Z_i} \right)}$$

When set to $C_d = 72pF$, $C_1 = 47pF$, $L = 6.8\mu H$, and $C_2 = C_3 = 6800pF$, the G_a frequency response is as shown in Fig. 4.

[查询"CXA3668N"供应商](#)

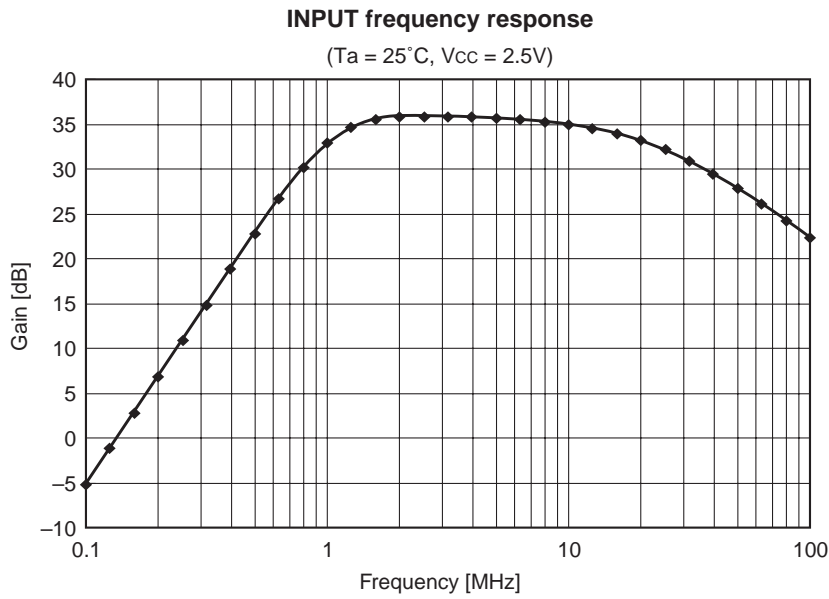


Fig. 4

Set L, C1, C2 and C3 so that the gain is flat from the 3MHz band to the 6MHz band.

(2) When the photodiode current $I_p > 63.5\mu\text{Ap-p}$

Labeling the I_p peak-to-peak size as I_{pp} , Z_s in Fig. 2 is as follows.

$$R_{sis} = \frac{233 \times 10^{-3}}{60.6 \times I_{pp} - 3.85 \times 10^{-3}}$$

In addition, the circuit in Fig. 2 can be expressed by the equivalent circuit in Fig. 5.

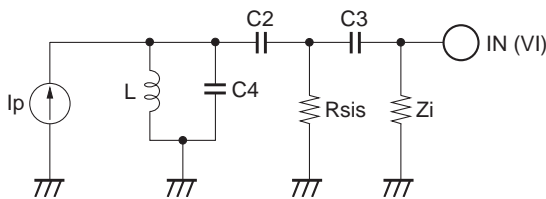


Fig. 5

However, $C_4 = C_p + C_1$.

When set to $C_d = 72\text{pF}$, $C_1 = 47\text{pF}$, $L = 6.8\mu\text{H}$, and $C_2 = C_3 = 6800\text{pF}$, the V_i/I_p frequency response at $I_{pp} = 100\mu\text{Ap-p}$, $300\mu\text{Ap-p}$ and 1mA-p-p are as shown in Fig. 6.

[查询"CXA3668N"供应商](#)

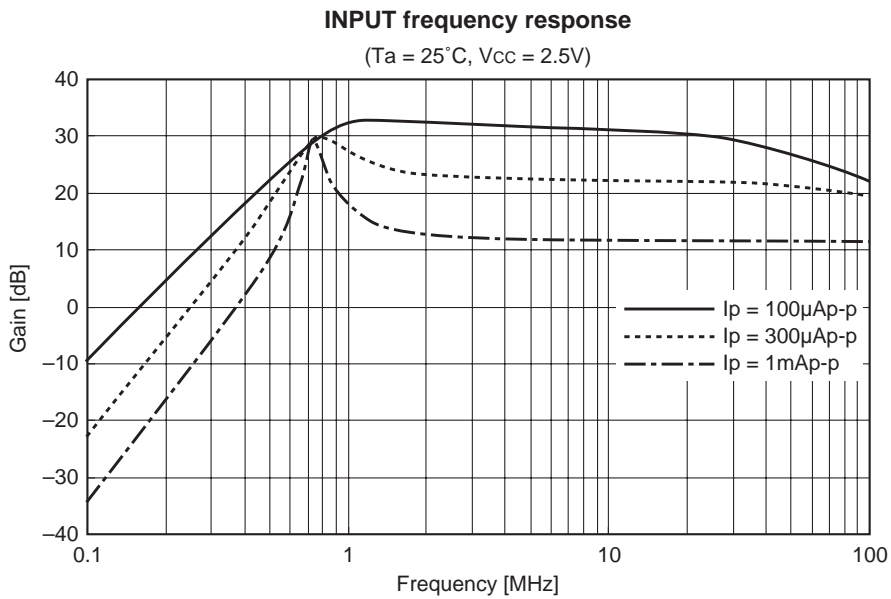


Fig. 6

(4) AGCIN

The signal input from AGCIN (Pin 7) and the I/V amplifier output signal are added and converted to a differential signal. This differential signal is input to the gain control amplifier (GCA), and the GCA output is input to the filter. When using AGCIN, input through a coupling capacitor C (100pF). When not using AGCIN, connect it to GND through C (100pF).

(5) Band-pass filter

Full-band mode and Half-band mode can be selected by the DIVCODE (Pin 14) pin voltage. The cutoff frequencies (fc) for the Full-band and Half-band modes which correspond to the DIVCODE pin voltage are as follows.

DIVCODE	Mode
Low	Full-band (3MHz to 6MHz)
High	Half-band (3MHz to 4.5MHz)

High; 1.5V to Vcc, Low; 0 to 0.5V

[查询"CXA3668N"供应商](#)

(6) AGC2

The band-pass filter output is amplified to 4 times by the preamplifier, and the GCA gain is varied so that the preamplifier output is approximately 0.8Vp-p.

The preamplifier output is converted from a differential signal to a single signal by a subtracter with a gain of approximately 2.1 times, and is then output from OUT (Pin 16) at a level of approximately 1.7Vp-p.

- The AGC2 attack time and recovery time response are as follows.

The attack time and the recovery time are determined by the capacitor Ca2 connected between AGCCAP2 (Pin 20) and Vcc2. Increasing the Ca2 value lengthens both the attack time and the recovery time, and reducing the Ca2 value shortens both the attack time and the recovery time.

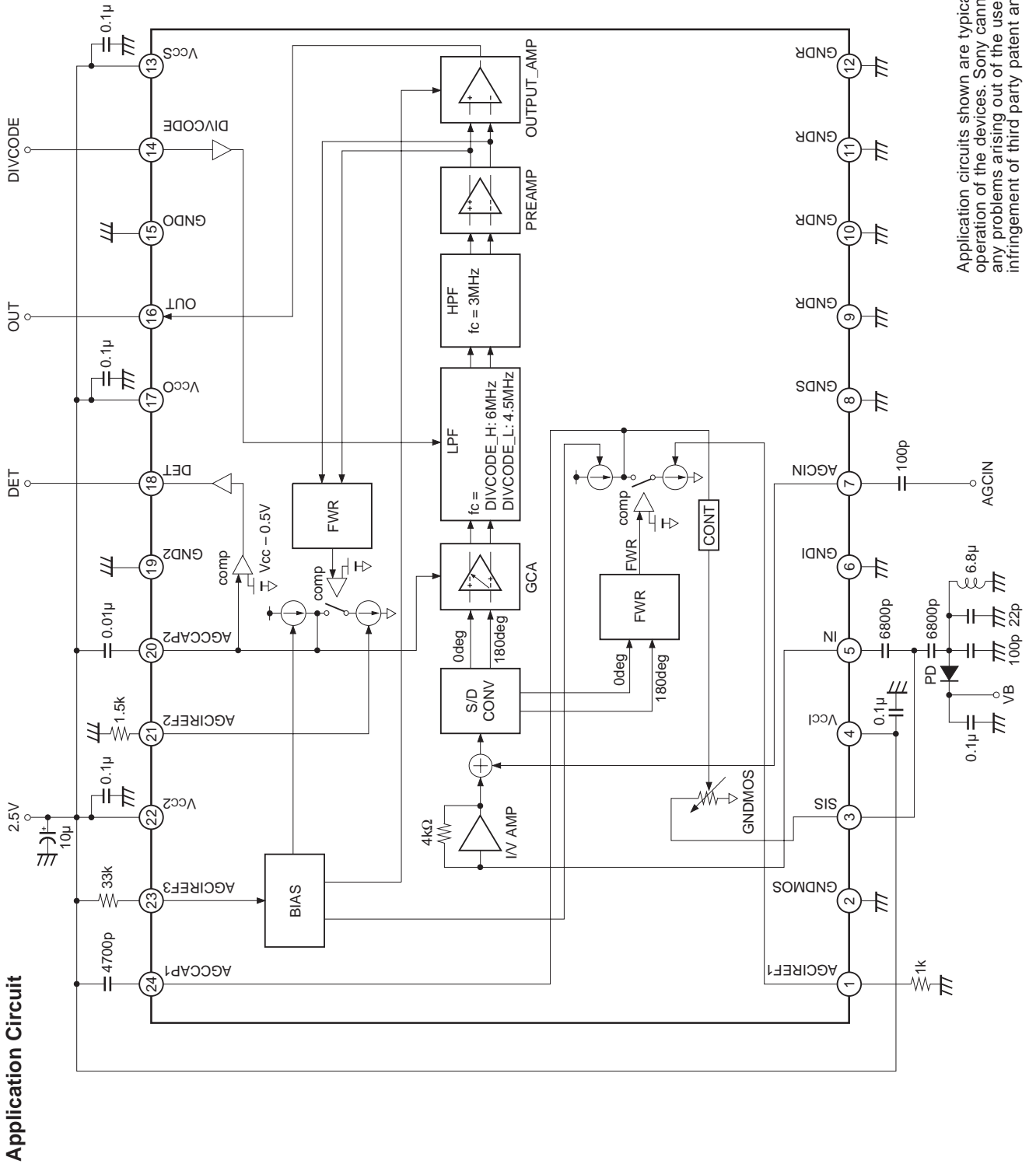
The reference current ($I_{at2} = 0.2/R_{aa2}$) used to determine the attack time is determined by the resistor Raa2 connected between AGCIREF2 (Pin 21) and GND. Reducing the resistance value increases the reference current and shortens the attack time. Increasing the resistance value lengthens the attack time.

The reference current used to determine the recovery time is determined by the resistor Rar connected between AGCIREF3 (Pin 23) and Vcc.

(7) DET

When the GCA input level is so low that the AGC2 does not operate (typ.; I_p = less than 0.15 μ Ap-p), DET (Pin 18) goes low. When the GCA input level is high enough for the AGC2 to operate (typ.; I_p = 0.15 μ Ap-p or more), DET goes high.

查询"CXA3668N"供应商



Application circuits shown are typical examples illustrating the operation of the devices. Sony cannot assume responsibility for any problems arising out of the use of these circuits or for any infringement of third party patent and other right due to same.

[查询"CXA3668N"供应商](#)

Notes on Operation

Care should be taken for the following points when using the CXA3668N.

- This IC has a high I/O gain (particularly during no signal or weak signal input of $0.15\mu\text{Ap-p}$ (typ.) or less at which the AGC does not operate), so care should be taken for the power supply and GND pattern when designing the printed circuit board.

The power supplies and GND are divided by function block as follows.

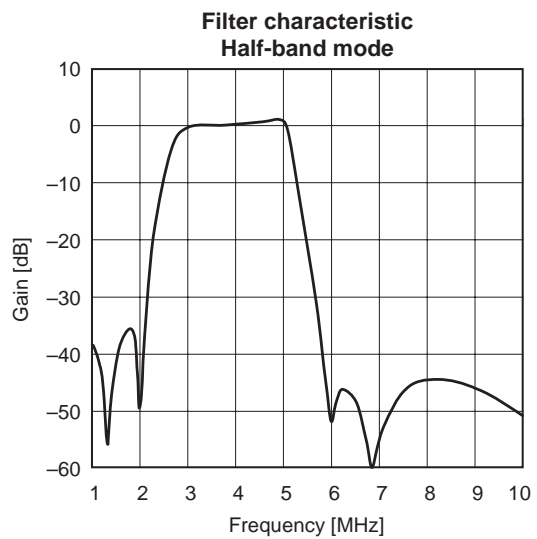
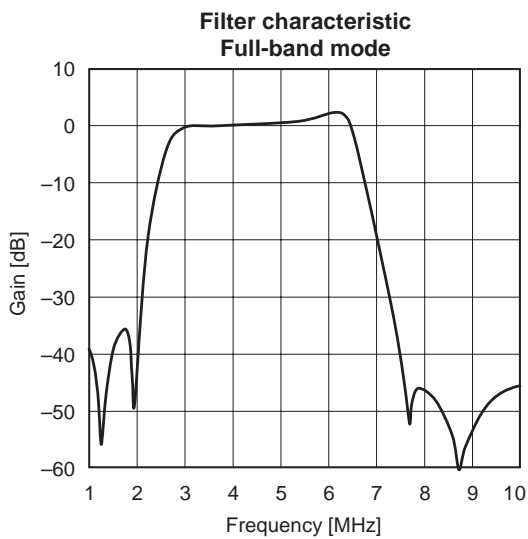
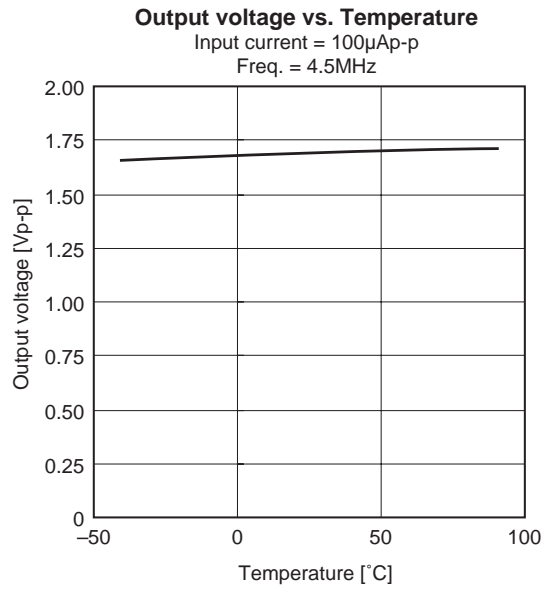
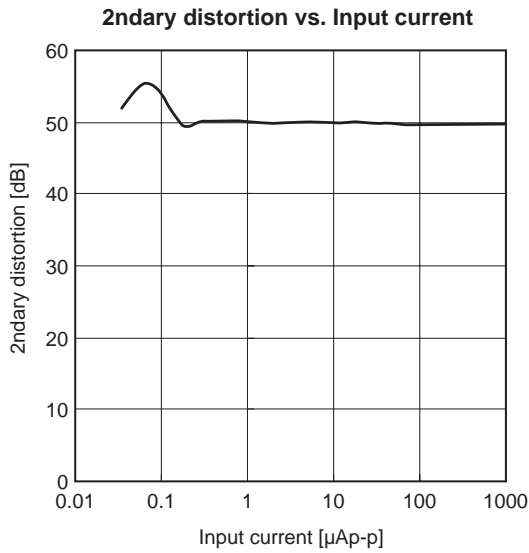
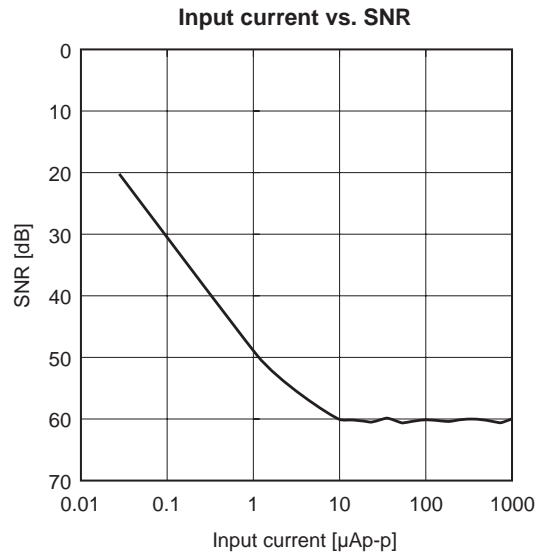
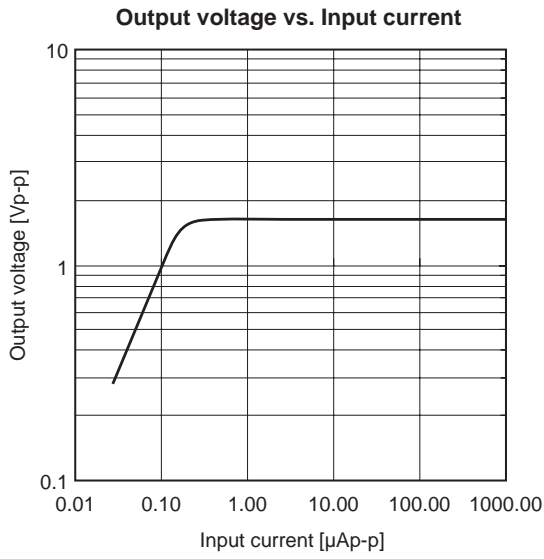
- 1) Input block
Power supply: Vcc1
GND: GNDI
- 2) Input block shunt
GND: GNDMOS
- 3) AGC block
Power supply: Vcc2
GND: GND2
- 4) Filter block
Power supply: VccS
GND: GNDS
- 5) Output block
Power supply: VccO
GND: GNDO
- 6) Other
GND: GNDR

Using tantalum, ceramic or other chip capacitors with excellent frequency response to decouple the power supply and GND pins of each function block is recommended. These capacitors should be connected between the pins as close to the respective IC pins as possible. The pattern should be designed as short and wide as possible.

In addition, shielding each external circuit (particularly the input circuit connected to the IN pin) is recommended to prevent spatial crosstalk from the output circuit, etc.

[查询"CXA3668N"供应商](#)

Example of Representative Characteristics (Ta = 25°C, Vcc1, Vcc2, VccS, VccO = 2.5V)

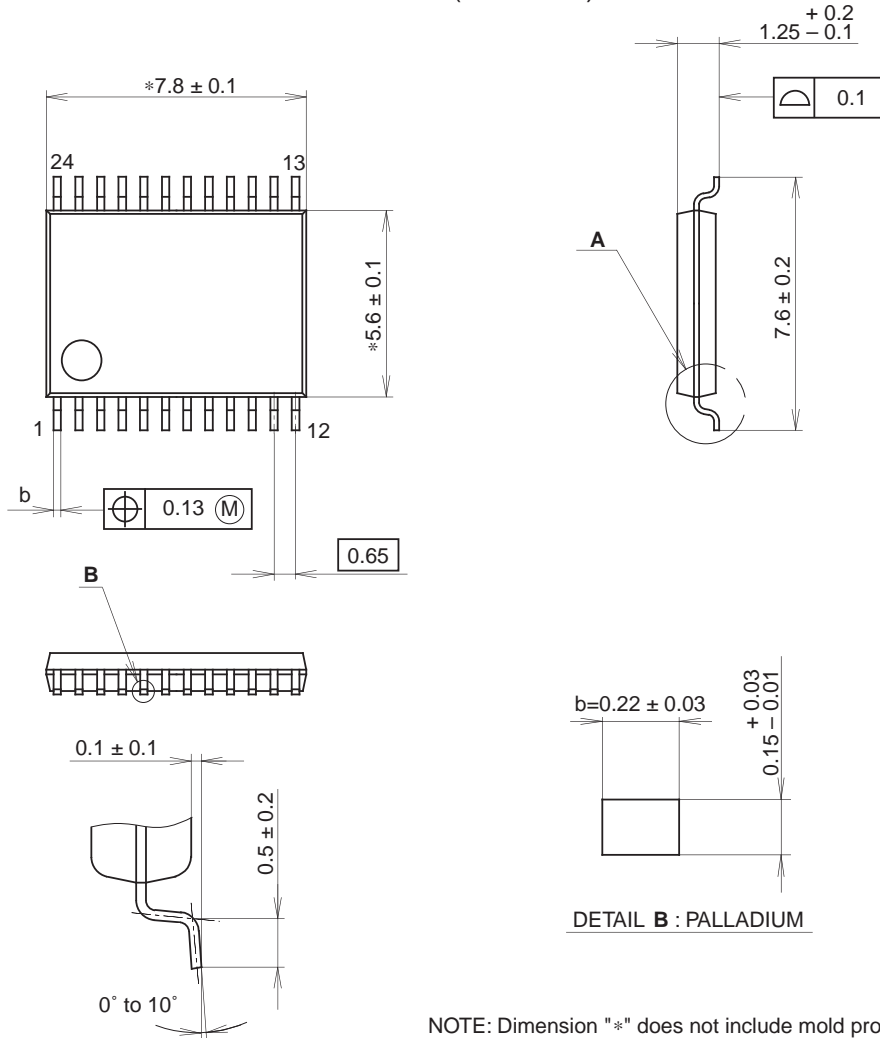


[查询"CXA3668N"供应商](#)

Package Outline

Unit: mm

24PIN SSOP (PLASTIC)



DETAIL A

DETAIL B : PALLADIUM

NOTE: Dimension "*" does not include mold protrusion.

SONY CODE	SSOP-24P-L01
EIAJ CODE	P-SSOP24-7.8x5.6-0.65
JEDEC CODE	_____

PACKAGE STRUCTURE

PACKAGE MATERIAL	EPOXY RESIN
LEAD TREATMENT	PALLADIUM PLATING
LEAD MATERIAL	COPPER ALLOY
PACKAGE MASS	0.1g