

查询"205841-1"供应商

DRAWING MADE IN THIRD ANGLE PROJECTION  
THIS DRAWING IS UNPUBLISHED. RELEASED FOR PUBLICATION  
BY AMP INCORPORATED. ALL INTERNATIONAL RIGHTS RESERVED.

© COPYRIGHT 1989

BY AMP INCORPORATED. ALL INTERNATIONAL RIGHTS RESERVED.

HOLD TOG DIST  
4 BD 35

.010 MAX GATE DEPRESSION PERMISSIBLE THIS AREA

#4-40 THREADED INSERT, 4 PLC MATERIAL: BRASS -3 ONLY

.125 DIA 4 HOLES

1.125±.025

.844±.010 TYP

.844±.010 TYP

.844±.010 TYP

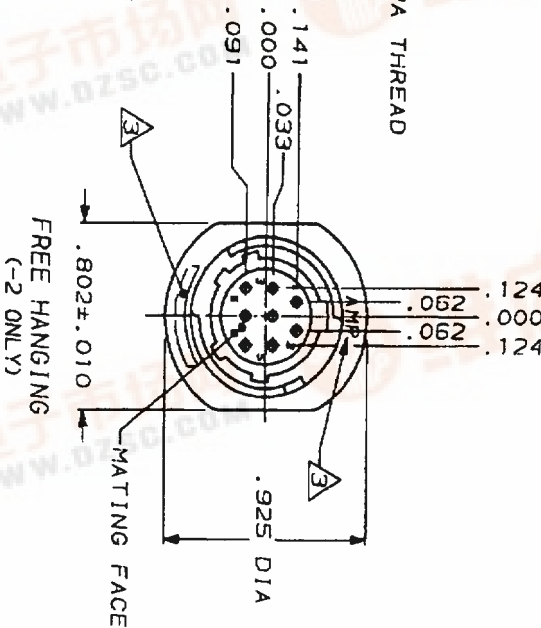
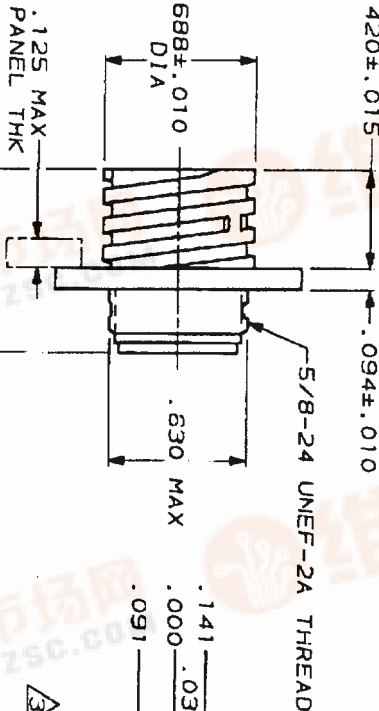
.844±.010 TYP

.840 DIA

### PANEL CUTOUT

SCALE 1:1

1. CONTACT CAVITIES IDENTIFIED BY CHARACTERS ON FRONT AND REAR FACES OF CONNECTOR.
2. WILL ACCEPT (B) SIZE 20 PIN CONTACTS.
3. AMP AND PART NUMBER THIS AREA.



# 593-096.

OBSOLETE

205841-3	PART NUMBER
205841-2	PART NUMBER
205841-1	PART NUMBER

REVISIONS		DATE	APPD
J	REDRAWN	4/5/91	-
K	OBSOLETED -3 EC 0020-271-93	07/24/93	AF

593 096

DO NOT SCALE PRINT. DIMENSIONS SPECIFIED IN INCHES  
1 P.L.C. DEC 2 1985  
2 P.L.C. DEC 2 1985  
3 P.L.C. DEC 2 1985

DR	U/RSI
CHK	1-24-89
APPD	K&L/RSI
APPD	6/24/89
APPD	6/24/89
PRODUCT SPEC	108-10024
APPLICATION SPEC	
RELIEF	

FINISH: THERMOPLASTIC, BLACK

AMP Incorporated  
Harrisburg, PA 17105-3608

RECEPTACLE ASSEMBLY, STD SEX, SERIES 2, 11-8, CPC

SIZE	SCALE	SHEET
B	2:1	1 OF 1
CAGE CODE	QUANTITY	
00779	205841	

