



Frontier Electronics Corp.

667 E. COCHRAN STREET, SIMI VALLEY, CA 93065

TEL: (805) 522-9998 FAX: (805) 522-9989

E-mail: frontiersales@frontierusa.com

Web: frontierusa.com

Radial Leads Inductors (Choke Coil)—18403 series

A. Specifications:

Part Number	L (uH) @ 1KHz	Q Min.	Test Freq. (MHz)	SRF Min. (MHz)	DCR (Ω) Max.	Rated Current (A) Max.	Type
184031R0M	1.0	20	7.9	85	0.004	10.00	I
184031R5M	1.5	20	7.9	64	0.005	8.30	I
184032R2M	2.2	20	7.9	48	0.006	6.90	I
184033R3M	3.3	20	7.9	36	0.008	5.60	I
184034R7M	4.7	20	7.9	28	0.009	4.70	I
184036R8M	6.8	20	7.9	22	0.012	3.90	I
18403100K	10	20	2.5	16	0.016	3.20	I
18403120K	12	20	2.5	14	0.018	2.90	I
18403150K	15	20	2.5	12	0.020	2.60	I
18403180K	18	20	2.5	11	0.025	2.40	I
18403220K	22	20	2.5	10	0.030	2.20	I
18403270K	27	20	2.5	9.0	0.040	2.00	I
18403330K	33	20	2.5	8.0	0.050	1.80	I
18403390K	39	20	2.5	7.0	0.060	1.65	I
18403470K	47	20	2.5	6.0	0.070	1.50	I
18403560K	56	20	2.5	5.5	0.080	1.35	I
18403680K	68	20	2.5	5.0	0.10	1.20	I
18403820K	82	20	2.5	4.5	0.12	1.10	II
18403101K	100	20	0.79	4.0	0.14	1.00	II
18403121K	120	20	0.79	3.5	0.18	0.90	II
18403151K	150	20	0.79	3.0	0.22	0.82	II
18403181K	180	20	0.79	2.8	0.25	0.75	II
18403221K	220	20	0.79	2.5	0.31	0.68	II
18403271K	270	20	0.79	2.2	0.36	0.61	II
18403331K	330	20	0.79	2.0	0.42	0.55	II
18403391K	390	20	0.79	1.8	0.48	0.50	II
18403471K	470	15	0.79	1.6	0.52	0.46	II
18403561K	560	15	0.79	1.4	0.65	0.42	II
18403681K	680	15	0.79	1.3	0.80	0.38	II
18403821K	820	15	0.79	1.2	1.0	0.34	II
18403102K	1000	20	0.25	1.00	1.5	0.31	II
18403122K	1200	20	0.25	0.90	1.8	0.28	II
18403152K	1500	20	0.25	0.85	2.0	0.25	II
18403182K	1800	20	0.25	0.80	2.5	0.23	II
18403222K	2200	20	0.25	0.75	3.0	0.21	II
18403272K	2700	20	0.25	0.70	3.5	0.19	II
18403332K	3300	20	0.25	0.65	4.0	0.17	II
18403392K	3900	20	0.25	0.60	5.0	0.15	II
18403472K	4700	20	0.25	0.55	6.0	0.14	II
18403562K	5600	20	0.25	0.50	7.5	0.13	II
18403682K	6800	20	0.25	0.45	9.5	0.12	II
18403822K	8200	20	0.25	0.40	11.0	0.11	II
18403103K	10000	50	0.079	0.35	12.0	0.10	II
18403123K	12000	50	0.079	0.30	13.5	0.09	II
18403153K	15000	50	0.079	0.25	15.0	0.08	II

★ Custom specifications are available.

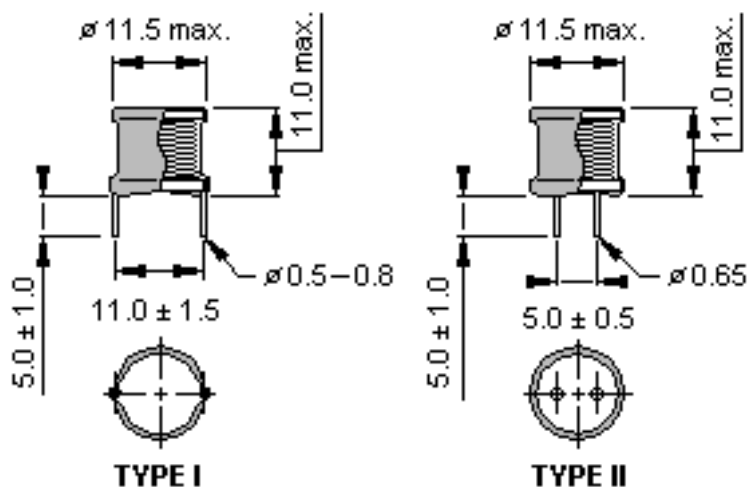
Note: **RoHS** compliant; for the **ROHS** parts, we add "**-LFR**" at the end of the P/N.





Radial Leads Inductors (Choke Coil)—18403 series

B. Mechanical Dimensions:



C. General Information:

1. Inductance Tolerance: M:±20%, K: ±10%.
2. Inductance (Current) ranges: 1.0uH (10A) - 15000uH (80mA)
3. DCR: from 0.004 - 15.0 Ohms.
4. Operating temperature: -20°C to +85°C.
5. Temperature rise: 25°C Max.
6. Ambient temperature: 60°C Max.
7. Test condition: 1 KHz.
8. Test equipment:
 - L: HP4276A LCZ Meter.
 - Q: HP4342A at specified frequency.
 - DCR: Milli-Ohm meter.
 - SRF: HP4191A.

★ *Custom specifications are available.*

*Note: **RoHS** compliant; for the **ROHS** parts, we add “-LFR” at the end of the P/N.*