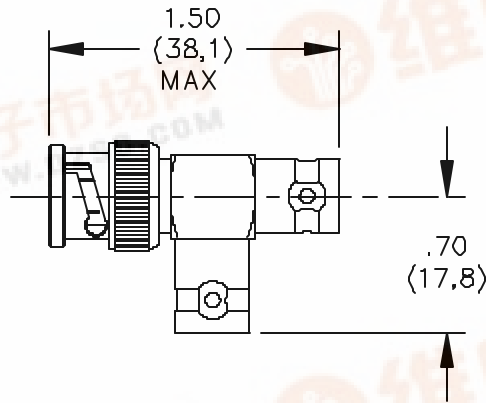


Model 4896 BNC "T" (Male-Female-Female) Coaxial Adapter



MATERIALS:

Body and Fittings – Brass, Tarnish Resistant Plating, Center Contact – Female: Gold Plated Beryllium Copper, Male: Gold Plated Brass, Outer Contact: Gold Plated Brass
Dielectric: PTFE

RATING:

Voltage: Shield/Earth: 30VAC/60VDC Max.
Inner Conductor/Shield: 500VRMS Max.
Operating Temperature: -65°C to +165°C
Nominal Impedance: 50 Ohms

ORDERING INFORMATION: Model 4896

All dimensions are in inches and metric. All specifications are to the latest revisions. Specifications are subject to change without notice.
Registered trademarks are the property of their respective companies. Made in USA

Sales: 800-490-2361 Fax: 888-403-3360
Technical Assistance: 800-241-2060

PomonaACCESS 90282 (800) 444-6785 or (425) 446-6010
More drawings available at www.pomonaelectronics.com