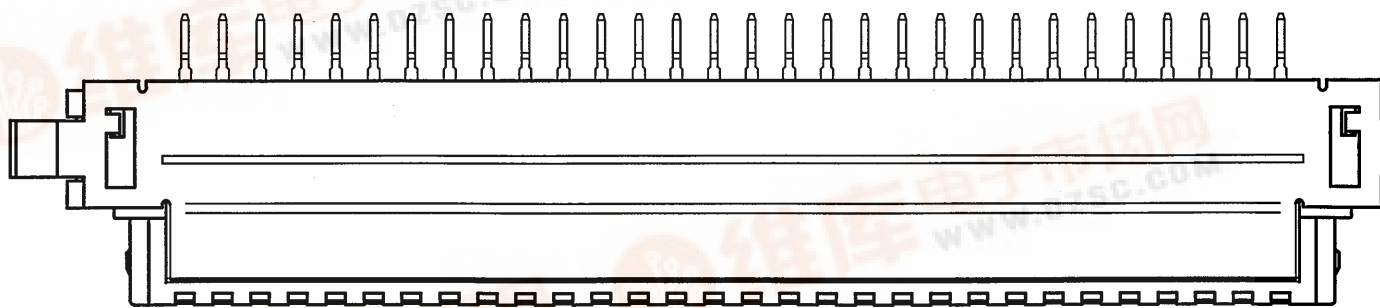
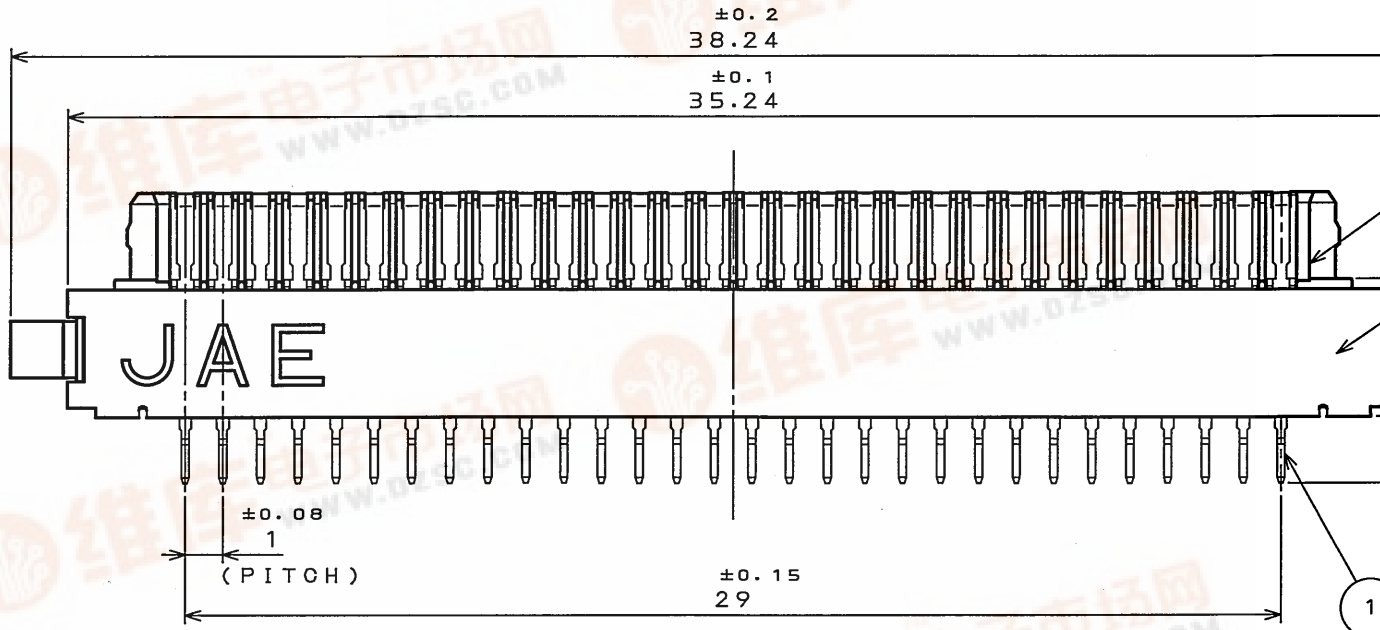
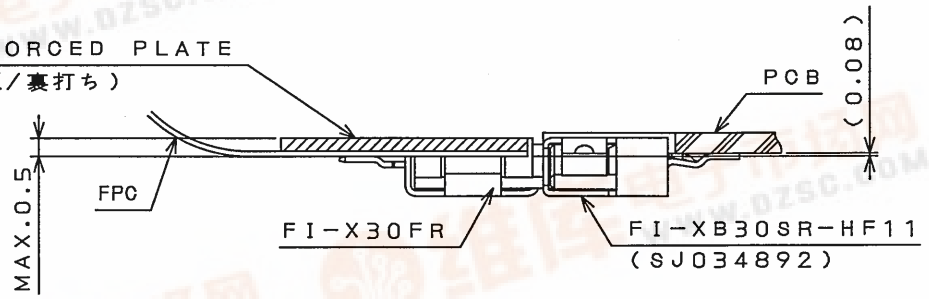


查询"FI-X30FR"供应商

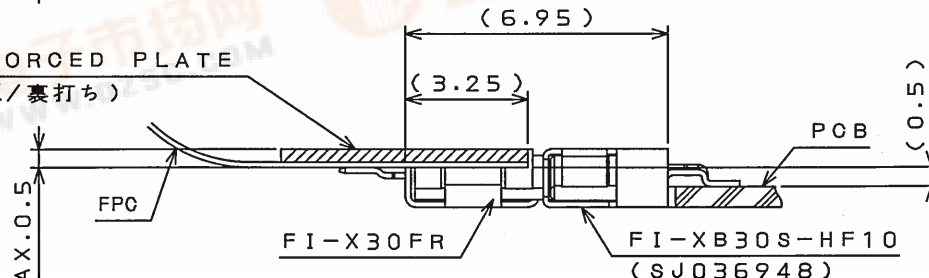
(DRAWING NO.) 台架图



REINFORCED PLATE  
(補強板/裏打ち)



REINFORCED PLATE  
(補強板/裏打ち)

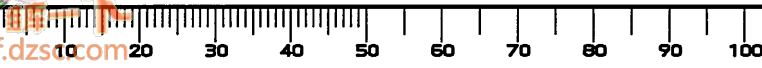


MATED CONDITION (REF.)  
嵌合状態図 (参考)

DOI-0-212E(03.08)



PDF  
www.pdf.dzsc.com



**This datasheet has been downloaded from:**

**[www.EEworld.com.cn](http://www.EEworld.com.cn)**

**Free Download**

**Daily Updated Database**

**100% Free Datasheet Search Site**

**100% Free IC Replacement Search Site**

**Convenient Electronic Dictionary**

**Fast Search System**

**[www.EEworld.com.cn](http://www.EEworld.com.cn)**