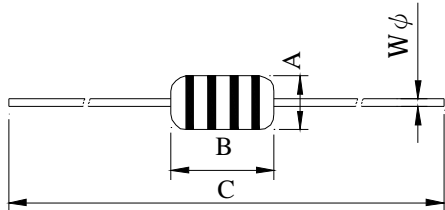


SPECIFICATION FOR APPROVAL

| | | | |
|------------|----------------|----------------|------------------|
| PROD. NAME | AXIAL INDUCTOR | ABC'S DWG NO. | AA0307□□□□L□-□□□ |
| | | ABC'S ITEM NO. | |

I . CONFIGURATION & DIMENSIONS :

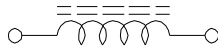


- A : 3.0 max. m/m
- B : 7.5 max. m/m
- C : 61.0 ref. m/m
- Wφ: 0.50 m/m

※Color code :

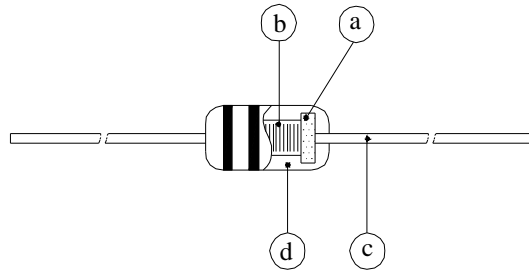
- 1st Color : First Significant Figure
- 2nd Color : Second Significant Figure
- 3rd Color : Multiplier
- 4th Color : Tolerance

II . SCHEMATIC DIAGRAM :



III . MATERIALS :

- a . Core : Ferrite DR core
- b . Wire : Enamelled copper wire (class B)
- c . Terminal : Cu/Ni/Sn
- d . Coating : Epoxy resin
- e . Remark : Products comply with RoHS' requirements



IV . GENERAL SPECIFICATION :

- a . Temp. rise : 20°C max.
- b . Ambient temp : 60°C max.
- c . Operating temp : -55°C--- +105°C
- d . Terminal tensile strength : 1.0 KG min
- e . Terminal bending strength : 0.3 KG min
- f . Dielectric withstanding voltage : 250 Vrms
- g . Rated current : Base on temp. rise

SPECIFICATION FOR APPROVAL

查询"AA003A0X4Z"供应商

PAGE: 2

| | | | |
|------------|----------------|----------------|------------------|
| PROD. NAME | AXIAL INDUCTOR | ABC'S DWG NO. | AA0307□□□□L□-□□□ |
| | | ABC'S ITEM NO. | |

V . ELECTRICAL CHARACTERISTICS :

| DWG No. | Inductance | | Q min. | Test Freq. (MHz) | SRF (MHz) min. | RDC (Ω) max. | IDC (mA) max. | Color Code | | | |
|------------------|------------|------|--------|------------------|----------------|--------------|---------------|------------|-----|-----|-----|
| | (μH) | Tol. | | | | | | 1st | 2nd | 3rd | 4th |
| AA0307R10ML□-□□□ | 0.10 | ±20% | 45 | 25.2 | 480.0 | 0.06 | 1400 | BN | BK | SIL | --- |
| AA0307R12ML□-□□□ | 0.12 | ±20% | 45 | 25.2 | 450.0 | 0.06 | 1350 | BN | R | SIL | --- |
| AA0307R15ML□-□□□ | 0.15 | ±20% | 45 | 25.2 | 420.0 | 0.07 | 1270 | BN | GN | SIL | --- |
| AA0307R18ML□-□□□ | 0.18 | ±20% | 45 | 25.2 | 400.0 | 0.07 | 1200 | BN | GY | SIL | --- |
| AA0307R22ML□-□□□ | 0.22 | ±20% | 45 | 25.2 | 380.0 | 0.08 | 1150 | R | R | SIL | --- |
| AA0307R27ML□-□□□ | 0.27 | ±20% | 45 | 25.2 | 360.0 | 0.09 | 1100 | R | V | SIL | --- |
| AA0307R33ML□-□□□ | 0.33 | ±20% | 45 | 25.2 | 320.0 | 0.10 | 1100 | O | O | SIL | --- |
| AA0307R39ML□-□□□ | 0.39 | ±20% | 45 | 25.2 | 310.0 | 0.12 | 1000 | O | W | SIL | --- |
| AA0307R47ML□-□□□ | 0.47 | ±20% | 45 | 25.2 | 300.0 | 0.15 | 1000 | Y | V | SIL | --- |
| AA0307R56ML□-□□□ | 0.56 | ±20% | 45 | 25.2 | 280.0 | 0.18 | 950 | GN | BU | SIL | --- |
| AA0307R68ML□-□□□ | 0.68 | ±20% | 45 | 25.2 | 240.0 | 0.20 | 900 | BU | GY | SIL | --- |
| AA0307R82ML□-□□□ | 0.82 | ±20% | 45 | 25.2 | 200.0 | 0.22 | 900 | GY | R | SIL | --- |
| AA03071R0KL□-□□□ | 1.00 | ±10% | 45 | 25.2 | 180.0 | 0.25 | 815 | BN | BK | GD | SIL |
| AA03071R2KL□-□□□ | 1.20 | ±10% | 45 | 7.96 | 160.0 | 0.28 | 740 | BN | R | GD | SIL |
| AA03071R5KL□-□□□ | 1.50 | ±10% | 45 | 7.96 | 140.0 | 0.30 | 700 | BN | GN | GD | SIL |
| AA03071R8KL□-□□□ | 1.80 | ±10% | 45 | 7.96 | 120.0 | 0.35 | 655 | BN | GY | GD | SIL |
| AA03072R2KL□-□□□ | 2.20 | ±10% | 45 | 7.96 | 110.0 | 0.40 | 630 | R | R | GD | SIL |
| AA03072R7KL□-□□□ | 2.70 | ±10% | 45 | 7.96 | 85.0 | 0.45 | 595 | R | V | GD | SIL |
| AA03073R3KL□-□□□ | 3.30 | ±10% | 45 | 7.96 | 74.0 | 0.50 | 575 | O | O | GD | SIL |
| AA03073R9KL□-□□□ | 3.90 | ±10% | 45 | 7.96 | 62.0 | 0.55 | 555 | O | W | GD | SIL |
| AA03074R7KL□-□□□ | 4.70 | ±10% | 45 | 7.96 | 48.0 | 0.60 | 530 | Y | V | GD | SIL |
| AA03075R6KL□-□□□ | 5.60 | ±10% | 45 | 7.96 | 35.0 | 0.65 | 500 | GN | BU | GD | SIL |
| AA03076R8KL□-□□□ | 6.80 | ±10% | 45 | 7.96 | 28.0 | 0.70 | 470 | BU | GY | GD | SIL |
| AA03078R2KL□-□□□ | 8.20 | ±10% | 45 | 7.96 | 20.0 | 0.80 | 425 | GY | R | GD | SIL |
| AA0307100KL□-□□□ | 10.00 | ±10% | 45 | 7.96 | 18.0 | 0.85 | 370 | BN | BK | BK | SIL |
| AA0307120KL□-□□□ | 12.00 | ±10% | 45 | 2.52 | 16.0 | 0.90 | 350 | BN | R | BK | SIL |
| AA0307150KL□-□□□ | 15.00 | ±10% | 45 | 2.52 | 14.0 | 1.00 | 335 | BN | GN | BK | SIL |
| AA0307180KL□-□□□ | 18.00 | ±10% | 45 | 2.52 | 12.0 | 1.20 | 315 | BN | GY | BK | SIL |
| AA0307220KL□-□□□ | 22.00 | ±10% | 45 | 2.52 | 10.0 | 1.35 | 285 | R | R | BK | SIL |
| AA0307270KL□-□□□ | 27.00 | ±10% | 45 | 2.52 | 9.0 | 1.80 | 270 | R | V | BK | SIL |
| AA0307330KL□-□□□ | 33.00 | ±10% | 45 | 2.52 | 8.0 | 2.10 | 255 | O | O | BK | SIL |
| AA0307390KL□-□□□ | 39.00 | ±10% | 45 | 2.52 | 7.5 | 2.30 | 240 | O | W | BK | SIL |
| AA0307470KL□-□□□ | 47.00 | ±10% | 50 | 2.52 | 7.0 | 2.60 | 205 | Y | V | BK | SIL |
| AA0307560KL□-□□□ | 56.00 | ±10% | 50 | 2.52 | 6.5 | 2.90 | 195 | GN | BU | BK | SIL |
| AA0307680KL□-□□□ | 68.00 | ±10% | 50 | 2.52 | 6.0 | 3.20 | 185 | BU | GY | BK | SIL |
| AA0307820KL□-□□□ | 82.00 | ±10% | 50 | 2.52 | 5.5 | 3.80 | 175 | GY | R | BK | SIL |
| AA0307101KL□-□□□ | 100.00 | ±10% | 50 | 2.52 | 5.0 | 4.20 | 165 | BN | BK | BN | SIL |
| AA0307121KL□-□□□ | 120.00 | ±10% | 50 | 0.796 | 4.8 | 4.50 | 160 | BN | R | BN | SIL |
| AA0307151KL□-□□□ | 150.00 | ±10% | 50 | 0.796 | 4.5 | 5.00 | 150 | BN | GN | BN | SIL |
| AA0307181KL□-□□□ | 180.00 | ±10% | 50 | 0.796 | 4.0 | 6.00 | 140 | BN | GY | BN | SIL |
| AA0307221KL□-□□□ | 220.00 | ±10% | 50 | 0.796 | 3.5 | 7.00 | 130 | R | R | BN | SIL |
| AA0307271KL□-□□□ | 270.00 | ±10% | 50 | 0.796 | 3.0 | 7.50 | 120 | R | V | BN | SIL |
| AA0307331KL□-□□□ | 330.00 | ±10% | 50 | 0.796 | 2.8 | 8.00 | 100 | O | O | BN | SIL |
| AA0307391KL□-□□□ | 390.00 | ±10% | 50 | 0.796 | 2.6 | 10.00 | 95 | O | W | BN | SIL |
| AA0307471KL□-□□□ | 470.00 | ±10% | 50 | 0.796 | 2.4 | 13.00 | 90 | Y | V | BN | SIL |
| AA0307561KL□-□□□ | 560.00 | ±10% | 50 | 0.796 | 2.0 | 15.00 | 85 | GN | BU | BN | SIL |
| AA0307681KL□-□□□ | 680.00 | ±10% | 50 | 0.796 | 1.8 | 16.00 | 75 | BU | GY | BN | SIL |
| AA0307821KL□-□□□ | 820.00 | ±10% | 50 | 0.796 | 1.6 | 23.00 | 65 | GY | R | BN | SIL |
| AA0307102KL□-□□□ | 1000.00 | ±10% | 50 | 0.796 | 1.4 | 26.00 | 60 | BN | BK | R | SIL |

- 1). □ : Package Information---A: Bulk B: Taping / Box C: Taping / Reel
 2). "- □□□ ":Reference code

AR-001A



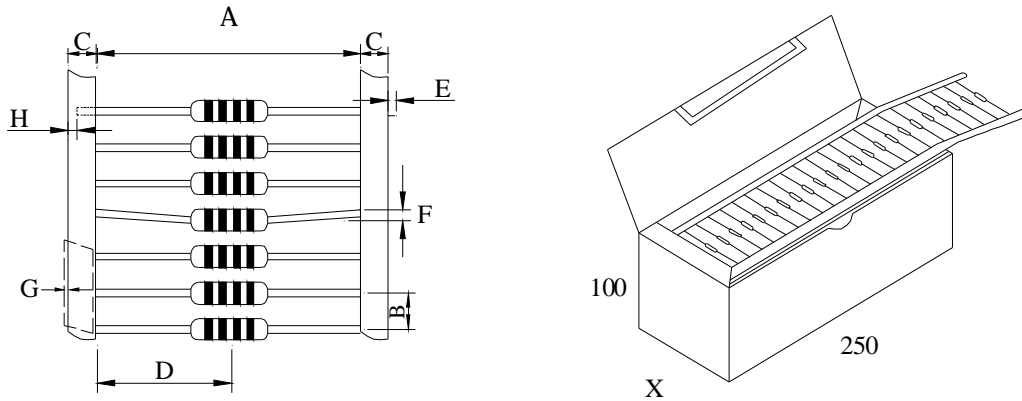
SPECIFICATION FOR APPROVAL

查询"AXA003A0X4Z"供应商
REF: 20091221-C

| | | | |
|------------|----------------|----------------|------------------|
| PROD. NAME | AXIAL INDUCTOR | ABC'S DWG NO. | AA0307□□□□L□-□□□ |
| | | ABC'S ITEM NO. | |

VI . PACKAGING INFORMATION FOR ALA HORIZONTAL TAPING IN BOX

(1) Configuration



(2) Dimensions

Unit:m/m

| Style | Item | Specification | Item | Specification |
|-------|------|---------------|------|---------------|
| T 26 | A | 26.00±1.50 | B | 5.00±0.50 |
| | D | 13.00±0.50 | C | 6.00±1.00 |
| | X | 50.00±1.50 | E | 0.50 (max) |
| | H | 2.50 (max) | | |
| T 52 | A | 52.00±1.50 | F | 1.00 (max) |
| | D | 26.00±1.50 | G | 1.00 (max) |
| | X | 76.00±1.50 | H | 2.50 (max) |

(3) Q'TY & G.W. Per package

| Series | Inner : Box | | | Outer : Carton | | |
|--------|-------------|-----------|----------------|----------------|-----------|--------------------|
| | Q'TY (pcs) | G.W. (gw) | Size (m/m) | Q'TY (pcs) | G.W. (Kg) | Size (cm) |
| AA0307 | 3,000 | 900 | 250 x 75 x 100 | 36,000 | 12.5 | 37.6 x 26.6 x 34.5 |

SPECIFICATION FOR APPROVAL

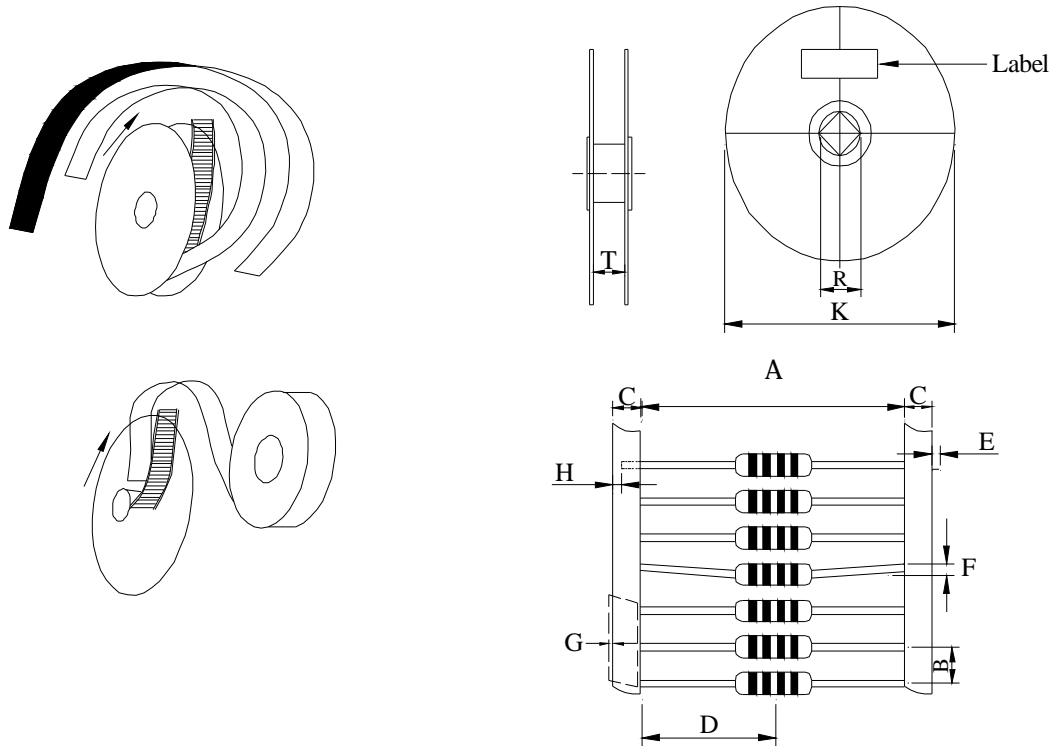
查询"AXA003A0X4Z"供应商

PAGE: 4

| | | | |
|------------|----------------|----------------|-----------------|
| PROD. NAME | AXIAL INDUCTOR | ABC'S DWG NO. | AA0307□□□□L□-□□ |
| | | ABC'S ITEM NO. | |

VII . PACKAGING INFORMATION FOR ALA HORIZONTAL TAPING IN REEL

(1) Configuration



(2) Dimensions

Unit:m/m

| Item | Specification | Item | Specification |
|------|---------------|------|---------------|
| A | 52.00±1.50 | F | 1.00 (max.) |
| B | 5.00±0.50 | G | 1.00 (max.) |
| C | 6.00±1.00 | K | 355.00±0.50 |
| D | 26.00±1.50 | R | 15.00±0.50 |
| E | 0.50 (max.) | T | 71.00±3.00 |
| H | 2.50 (max.) | | |

(3) Q'TY & G.W. Per package

| Series | Inner : Reel | | | Outer : Carton | | |
|--------|--------------|-----------|----------------|----------------|-----------|--------------------|
| | Q'TY (pcs) | G.W. (gw) | Size (m/m) | Q'TY (pcs) | G.W. (Kg) | Size (cm) |
| AA0307 | 5,000 | 1,600 | 370 x 370 x 85 | 20,000 | 8.0 | 37.9 x 37.9 x 37.3 |

AR-001A

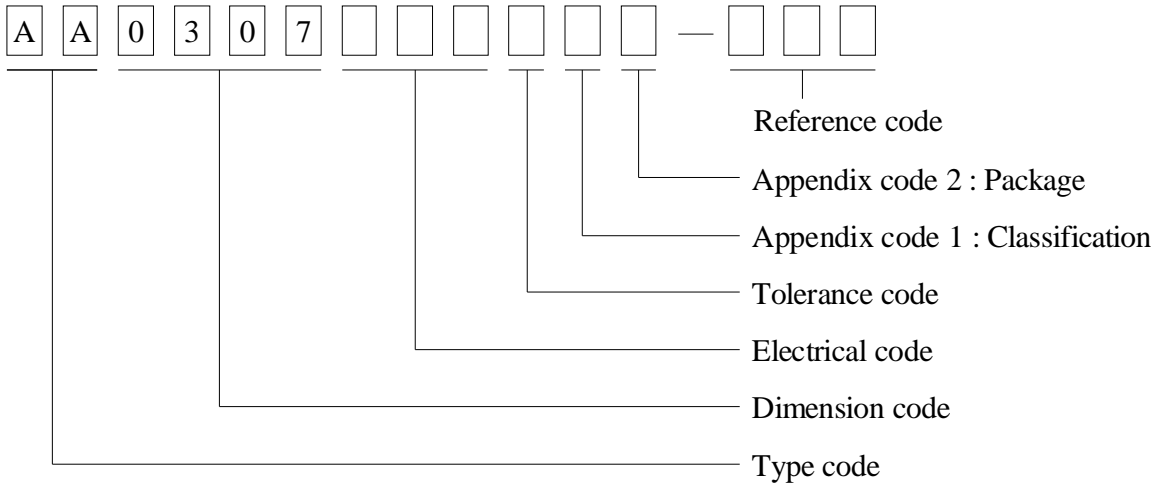


SPECIFICATION FOR APPROVAL

查询"AXA003A0X4Z"供应商
REF: 20091221-C

| | | | |
|------------|----------------|----------------|------------------|
| PROD. NAME | AXIAL INDUCTOR | ABC'S DWG NO. | AA0307□□□□L□-□□□ |
| | | ABC'S ITEM NO. | |

VIII. . DWGING NUMBER EXPRESSION :



Appendix code 1 : Product Classification

- L : Lead Free Standard products comply with RoHS' requirements
- 1 ~ 9 : Lead Free Special products comply with RoHS' requirements

Appendix code 2 : Package Information

| Code | Inner package | Inner package QTY | Remark |
|------|----------------------------|-------------------|--------|
| A | Bag (Axial type) | 200 pcs | |
| B | T / B (T52 Box package) | 3000 pcs | |
| C | T / R (T52 Reel package) | 5000 pcs | |
| D | T / B (T26 Box package) | 3000 pcs | |
| E | BAG (Fm Forming type) | 500 pcs | |

SPECIFICATION FOR APPROVAL

查询"AXA003A0X4Z"供应商
REF: 20091221-C

PAGE: 6

| | | | |
|------------|----------------|----------------|------------------|
| PROD. NAME | AXIAL INDUCTOR | ABC'S DWG NO. | AA0307□□□□L□-□□□ |
| | | ABC'S ITEM NO. | |

IX . UL CARD :

| | | | |
|--|-------------------|---------|--|
| OBMW2 | September 8, 2000 | | |
| Magnet Wire-Component | | | |
| JUNG SHING WIRE CO LTD | | E174837 | |
| 231 CHUNG CHENG RD, SEC 3 JEN-TEH HSIANG, TAINAN | | | |
| HSIEN TAIWAN | | | |

| Mtl Dsg | Mark Dsg | Coat Typ | ANSI Type | Temp Class |
|-------------|----------|--------------------|--------------------|------------|
| | | BC | OC | |
| AIW | --- | Polyamideimide | --- | MW81-C 220 |
| CFUEWB | --- | Polyurethane | --- | MW75C 130 |
| EIAIW | --- | Polyesterimide | Polyamideimide | MW35C 200 |
| EILOCKY | --- | Polyesterimide | Polyamide | --- |
| EILOCKW | --- | Polyesterimide | Modified Epoxy | 180 200 |
| EIW | --- | Polyesterimide | --- | 220 |
| EIW-2 | --- | Polyesterimide | --- | MW74-C 200 |
| FL.EILOCKY | --- | Modified Polyester | Polyamide | 155 |
| LSFFW | --- | Polyurethane | --- | MW79-C 155 |
| LSUEW | --- | Polyurethane | --- | 130 |
| PEW | --- | Polyester | --- | 155 |
| PEY | --- | Polyester | Nylon | MW24-C 155 |
| SF.FLW | --- | Modified Polyester | --- | MW26C 155 |
| SF.EIW | --- | Polyesterimide | --- | MW77C 180 |
| SF.BY@ | --- | Modified Polyester | Nylon | MW27-C 155 |
| SF.FLY@ | --- | Modified Polyester | Nylon | MW27-C 155 |
| SF.BLOCKBS | --- | Modified Polyester | Modified Polyamide | 155 |
| SF.EILOCKY# | --- | Polyesterimide | Polyamide | 180 |
| SF.EILOCKBS | --- | Polyesterimide | Modified Polyamide | 180 |
| SF.BW@ | --- | Modified Polyester | --- | MW26C 155 |
| SFFW | --- | Polyurethane | --- | MW79 155 |

A not-for-profit organization dedicated to public safety and committed to quality service

287806002 Page 1 of 2

| Mtl Dsg | Mark Dsg | Coat Typ | ANSI Type | Temp Class |
|---------|----------|--------------|-----------|------------|
| | | BC | OC | |
| SFFY | --- | Polyurethane | Polyamide | MW80C 155 |
| UEW-1 | --- | Polyurethane | --- | MW2-C 105 |
| UEW-2 | --- | Polyurethane | --- | 130 |
| UEW-4 | --- | Polyurethane | --- | MW75C 130 |
| UEY | --- | Polyurethane | Nylon | MW28-C 130 |
| UEY-2 | --- | Polyurethane | Polyamide | MW28-C 130 |

@-May be suffixed by LZ; # - May be suffixed by LZ, EL or LZI.
 LZ - Signifies magned wires twisted together; EL - signifies base coated magnet wire laid parallel with top coat applied overall; LZL - signifies base coated magnet wire twisted together and covered with top coat overall.
 Marking: Company name or trademarks or 榮星電線, material designation or marked designation on packaed or reel, and Recognized Component Mark.

See General Information Preceding These Recognitions
 For use only in equipment where the acceptability of the combination is determined by Underwriters Laboratories Inc.

287806002 Page 2 of 2

OBMW2/E174837
September 8, 2000