

查询"2SA1866"供应商

No.4721

2SA1866

PNP Epitaxial Planar Silicon Transistor

SANYO

Muting Circuits, Driver Applications

Features

- On-chip bias resistors ($R1 = 47k\Omega$, $R2 = 47k\Omega$).
- Very small-sized package making 2SA1866-applied sets small and slim.
- Small ON resistance.
- High gain-bandwidth product f_T .

Absolute Maximum Ratings at $T_a = 25^\circ C$

			unit
Collector-to-Base Voltage	V_{CBO}	-15	V
Collector-to-Emitter Voltage	V_{CEO}	-15	V
Emitter-to-Base Voltage	V_{EBO}	-10	V
Input Voltage	V_{IN}	-14	V
Collector Current	I_C	-50	mA
Collector Current (Pulse)	I_{CP}	-100	mA
Base Current	I_B	-10	mA
Collector Dissipation	P_C	150	mW
Junction Temperature	T_j	150	$^\circ C$
Storage Temperature	T_{stg}	-55 to +150	$^\circ C$

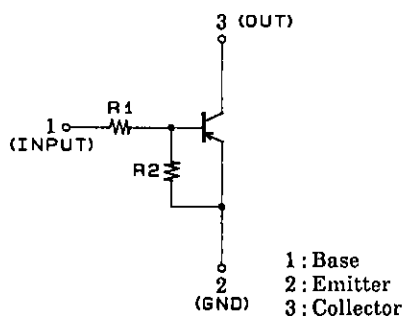
Electrical Characteristics at $T_a = 25^\circ C$

			min	typ	max	unit
Collector Cutoff Current	I_{CBO}	$V_{CB} = -10V, I_E = 0$			-0.1	μA
Collector Cutoff Current	I_{CEO}	$V_{CE} = -10V, I_B = 0$			-0.5	μA
Emitter Cutoff Current	I_{EBO}	$V_{EB} = -5V, I_C = 0$	-30	-53	-80	μA
DC Current Gain	h_{FE}	$V_{CE} = -2V, I_C = -5mA$	100			
Gain-Bandwidth Product	f_T^*	$V_{CE} = -5V, I_C = -10mA$		600		MHz
Output Capacitance	C_{ob}^*	$V_{CB} = -10V, f = 1MHz$		0.9		pF
C-E Saturation Voltage	$V_{CE(sat)}$	$I_C = -2mA, I_B = -0.2mA$		-20	-60	mV
C-B Breakdown Voltage	$V_{(BR)CBO}$	$I_C = -10\mu A, I_E = 0$	-15			V
C-E Breakdown Voltage	$V_{(BR)CEO}$	$I_C = -1mA, R_{BE} = \infty$	-15			V
Input OFF-State Voltage	$V_{IN(off)}$	$V_{CE} = -2V, I_C = -100\mu A$	-0.8	-1.2	-1.5	V
Input ON-State Voltage	$V_{IN(on)}$	$V_{CE} = -0.3V, I_C = -5mA$	-1.0	-2.3	-4.0	V
Input Resistance	R_1		32	47	62	k Ω
Resistance Ratio	R_1/R_2		0.9	1.0	1.1	
ON Resistance	R_{on}	$V_{IN} = -10V, f = 1MHz$		10.0		Ω

* : Characteristic of the constituent transistor.

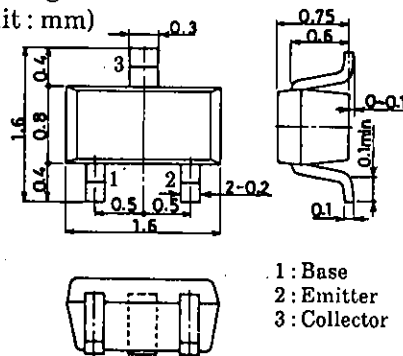
Marking : CA

Electrical Connection



Package Dimensions 2106A

(unit : mm)

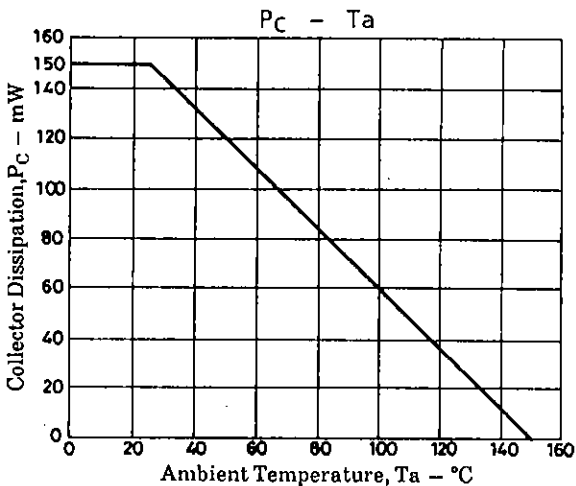
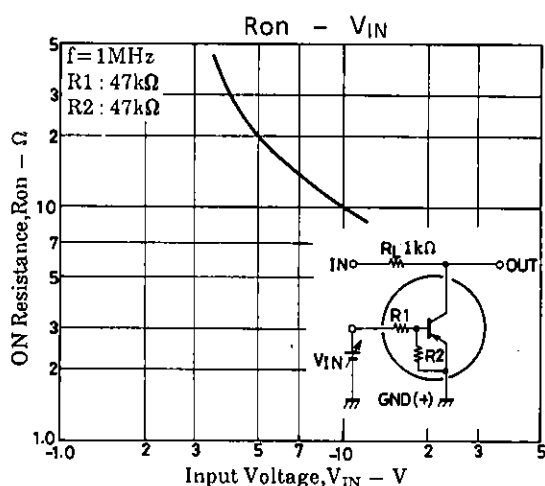
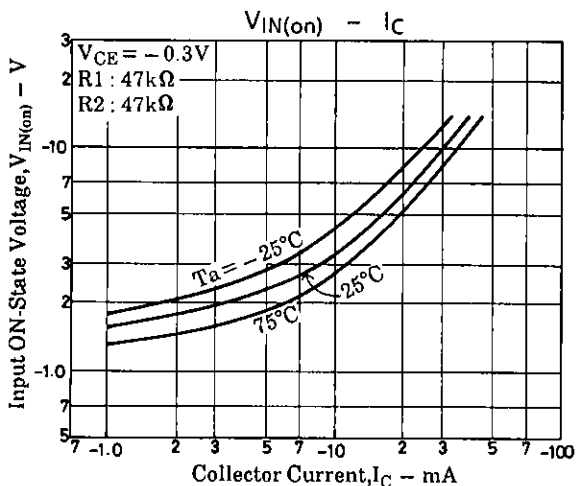
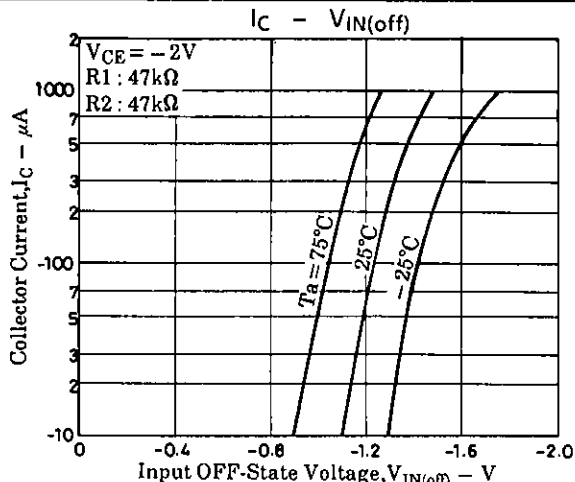
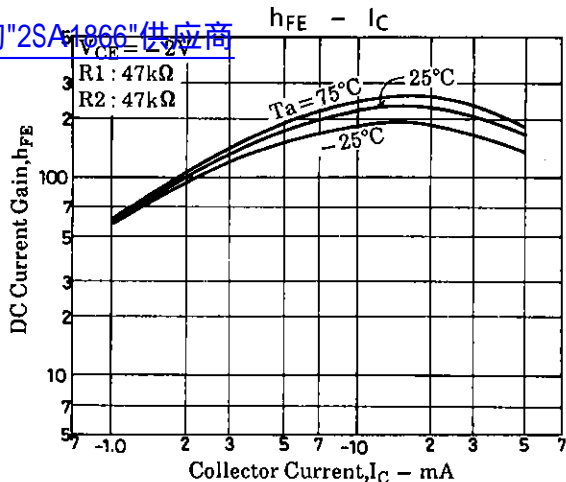


SANYO:SMCP

SANYO Electric Co., Ltd. Semiconductor Business Headquarters

TOKYO OFFICE Tokyo Bldg., 1-10, 1 Chome, Ueno, Taito-ku, TOKYO, 110 JAPAN

查询"2SA1866"供应商



- No products described or contained herein are intended for use in surgical implants, life-support systems, aerospace equipment, nuclear power control systems, vehicles, disaster/crime-prevention equipment and the like, the failure of which may directly or indirectly cause injury, death or property loss.
- Anyone purchasing any products described or contained herein for an above-mentioned use shall:
 - ① Accept full responsibility and indemnify and defend SANYO ELECTRIC CO., LTD., its affiliates, subsidiaries and distributors and all their officers and employees, jointly and severally, against any and all claims and litigation and all damages, cost and expenses associated with such use.
 - ② Not impose any responsibility for any fault or negligence which may be cited in any such claim or litigation on SANYO ELECTRIC CO., LTD., its affiliates, subsidiaries and distributors or any of their officers and employees jointly or severally.
- Information (including circuit diagrams and circuit parameters) herein is for example only; it is not guaranteed for volume production. SANYO believes information herein is accurate and reliable, but no guarantees are made or implied regarding its use or any infringements of intellectual property rights or other rights of third parties.