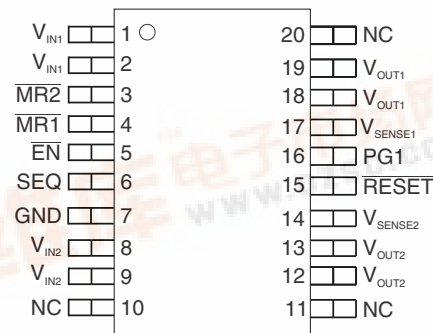


## DUAL-OUTPUT LOW-DROPOUT VOLTAGE REGULATORS WITH POWER UP SEQUENCING FOR SPLIT VOLTAGE DSP SYSTEMS

### FEATURES

- Dual Output Voltages for Split-Supply Applications
- Selectable Power Up Sequencing for DSP Applications
- –55°C to 125°C Operating Temperature
- Output Current Range of 1 A on Regulator 1 and 2 A on Regulator 2
- Fast Transient Response
- Voltage Options Are 3.3 V/2.5 V
- Open Drain Power-On Reset With 120-ms Delay
- Open Drain Power Good for Regulator 1
- Ultralow 185- $\mu$ A (typical) Quiescent Current
- 2- $\mu$ A Input Current During Standby
- Low Noise: 78- $\mu$ V<sub>RMS</sub> Without Bypass Capacitor
- Quick Output Capacitor Discharge Feature
- Two Manual Reset Inputs
- 2% Accuracy Over Load and Temperature
- Undervoltage Lockout (UVLO) Feature
- 20-Pin Ceramic Flatpack Package
- Thermal Shutdown Protection

HKH PACKAGE  
(TOP VIEW)



NC - No internal connection

### DESCRIPTION

The TPS70358 is designed to provide a complete power management solution for TI DSP, processor power, ASIC, FPGA, and digital applications where dual output voltage regulators are required. Easy programmability of the sequencing function makes this family ideal for any TI DSP applications with power sequencing requirement. Differentiated features, such as accuracy, fast transient response, SVS supervisory circuit (power on reset), manual reset inputs, and enable function, provide a complete system solution.

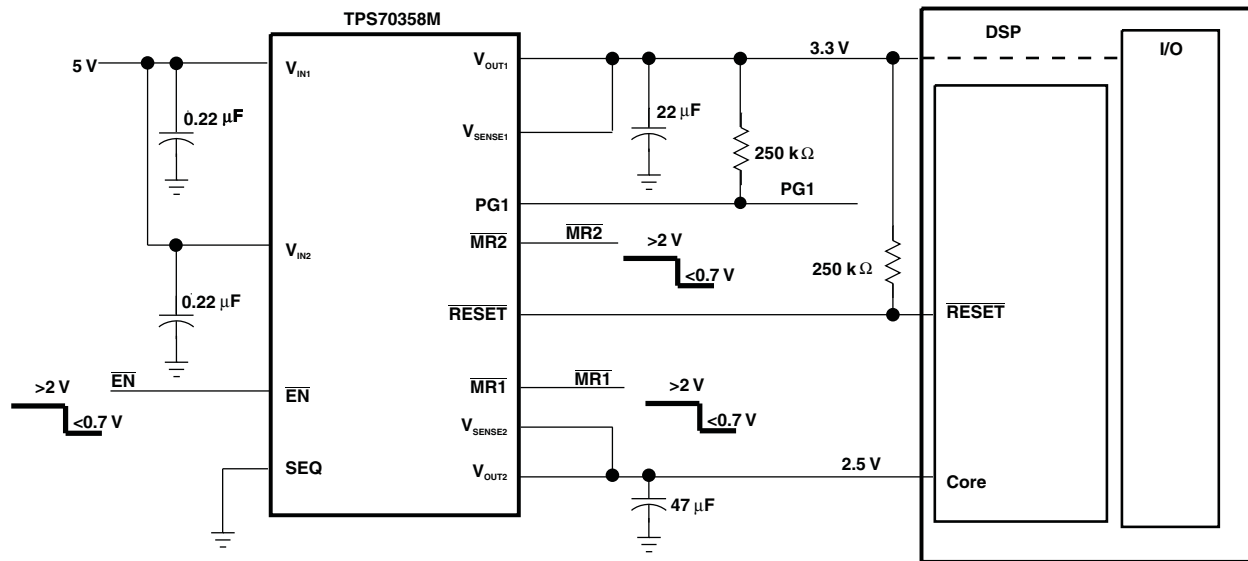


Please be aware that an important notice concerning availability, standard warranty, and use in critical applications of Texas Instruments semiconductor products and disclaimers thereto appears at the end of this data sheet.

PRODUCTION DATA information is current as of publication date. Products conform to specifications per the terms of the Texas Instruments standard warranty. Production processing does not necessarily include testing of all parameters.

Copyright © 2009, Texas Instruments Incorporated





## DESCRIPTION (CONTINUED)

The TPS70358 regulator offers very low dropout voltage and dual outputs with power up sequence control, which is designed primarily for DSP applications. These devices have low noise output performance without using any added filter bypass capacitors and are designed to have a fast transient response and be stable with 47- $\mu$ F low ESR capacitors.

The TPS70358 has a fixed 3.3-V/2.5-V voltage option. Regulator 1 can support up to 1 A, and regulator 2 can support up to 2 A. Separate voltage inputs allow the designer to configure the source power.

Because the PMOS pass element behaves as a low-value resistor, the dropout voltage is very low (typically 160 mV on regulator 1) and is directly proportional to the output current. Additionally, since the PMOS pass element is a voltage-driven device, the quiescent current is very low and independent of output loading (maximum of 250  $\mu$ A over the full range of output current). This LDO family also features a sleep mode; applying a high signal to EN (enable) shuts down both regulators, reducing the input current to 1  $\mu$ A at  $T_J = 25^\circ\text{C}$ .

The device is enabled when the EN pin is connected to a low-level input voltage. The output voltages of the two regulators are sensed at the  $V_{\text{SENSE1}}$  and  $V_{\text{SENSE2}}$  pins respectively.

The input signal at the SEQ pin controls the power-up sequence of the two regulators. When the device is enabled and the SEQ terminal is pulled high or left open,  $V_{\text{OUT2}}$  turns on first and  $V_{\text{OUT1}}$  remains off until  $V_{\text{OUT2}}$  reaches approximately 83% of its regulated output voltage. At that time  $V_{\text{OUT1}}$  is turned on. If  $V_{\text{OUT2}}$  is pulled below 83% (i.e. overload condition) of its regulated voltage,  $V_{\text{OUT1}}$  will be turned off. Pulling the SEQ terminal low reverses the power-up order and  $V_{\text{OUT1}}$  is turned on first. The SEQ pin is connected to an internal pullup current source.

For each regulator, there is an internal discharge transistor to discharge the output capacitor when the regulator is turned off (disabled).

The PG1 pin reports the voltage conditions at  $V_{\text{OUT1}}$ . The PG1 pin can be used to implement a SVS (power on reset) for the circuitry supplied by regulator 1.

The TPS70358 features a RESET (SVS, POR, or power on reset). RESET is an active low, open drain output and requires a pullup resistor for normal operation. When pulled up, RESET goes to a high impedance state (i.e. logic high) after a 120-ms delay when all three of the following conditions are met. First,  $V_{\text{IN1}}$  must be above the undervoltage condition. Second, the manual reset (MR) pin must be in a high impedance state. Third,  $V_{\text{OUT2}}$  must be above approximately 95% of its regulated voltage. To monitor  $V_{\text{OUT1}}$ , the PG1 output pin can be connected to MR1 or MR2. RESET can be used to drive power on reset or a low-battery indicator. If RESET is not used, it can be left floating.

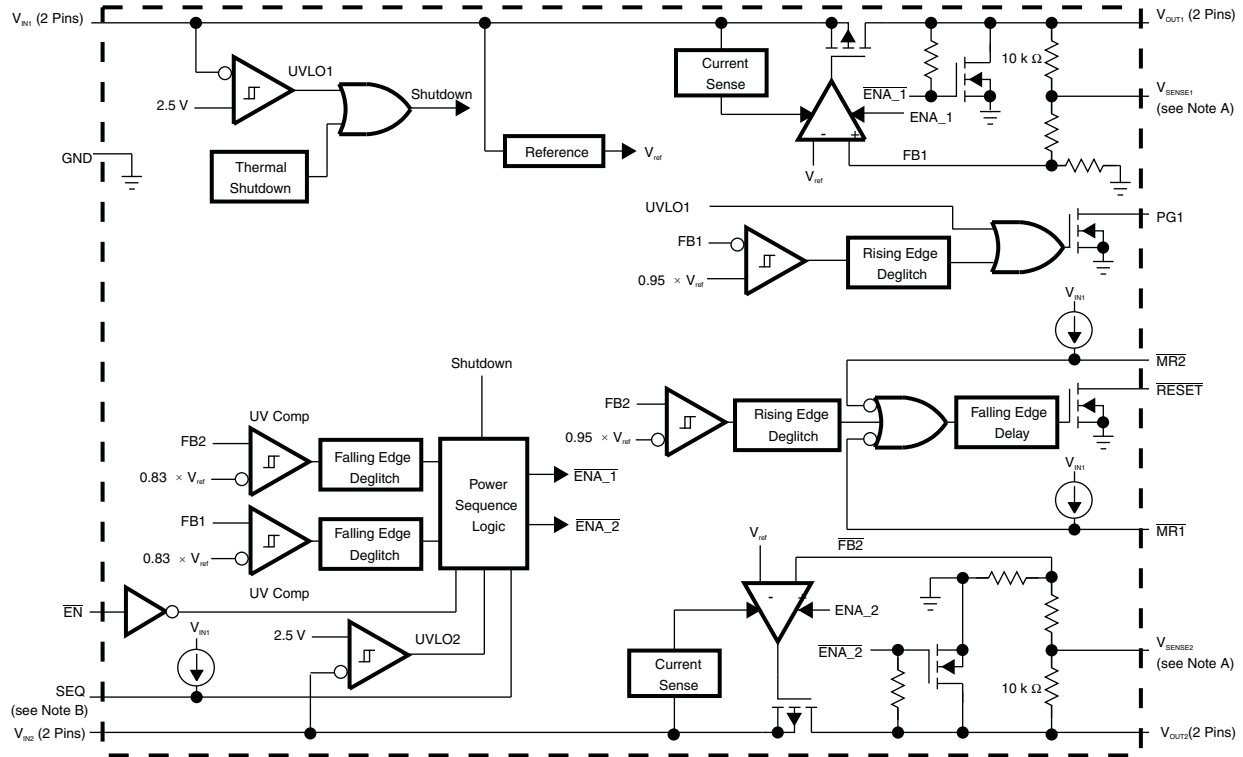
Internal bias voltages are powered by  $V_{\text{IN1}}$  and require 2.7 V for full functionality. Each regulator input has an undervoltage lockout circuit that prevents each output from turning on until the respective input reaches 2.5 V.

ORDERING INFORMATION<sup>(1)</sup>

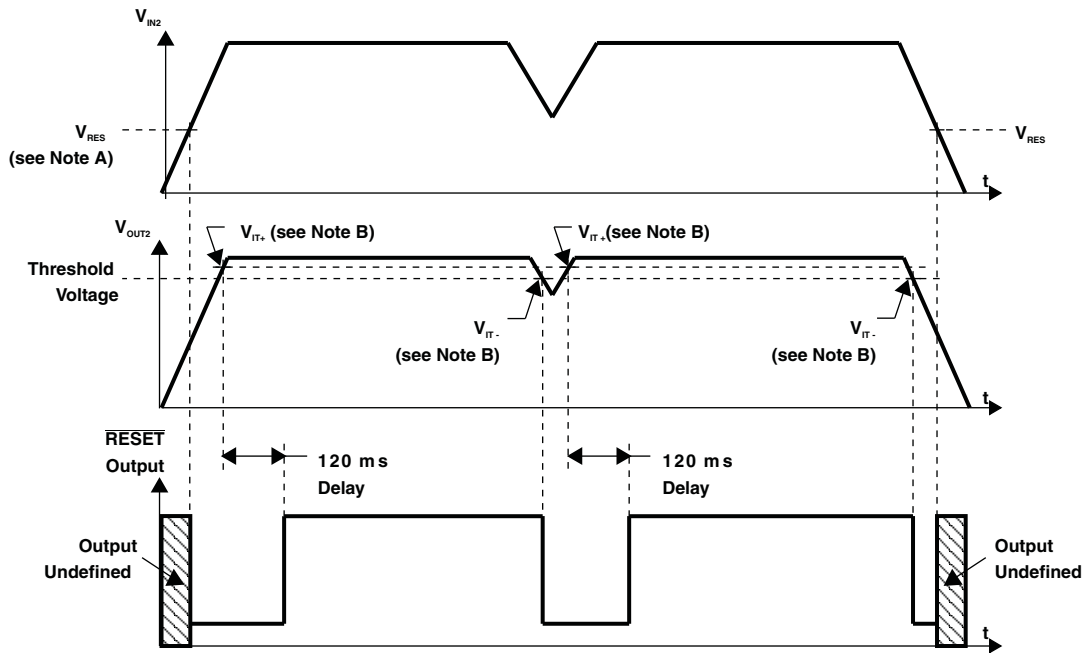
PRODUCT	VOLTAGE (V)		PACKAGE-LEAD (DESIGNATOR)	T <sub>J</sub>	ORDERABLE PART NUMBER	TOP-SIDE MARKING
	V <sub>OUT1</sub>	V <sub>OUT2</sub>				
TPS70358M	3.3 V	2.5 V	DFP-20 (HKH)	–55°C to 125°C	TPS70358MHKH	TPS70358MHKH

(1) For the most current package and ordering information, see the Package Option Addendum at the end of this document, or see the TI website at [www.ti.com](http://www.ti.com).

DETAILED BLOCK DIAGRAM - FIXED VOLTAGE VERSION

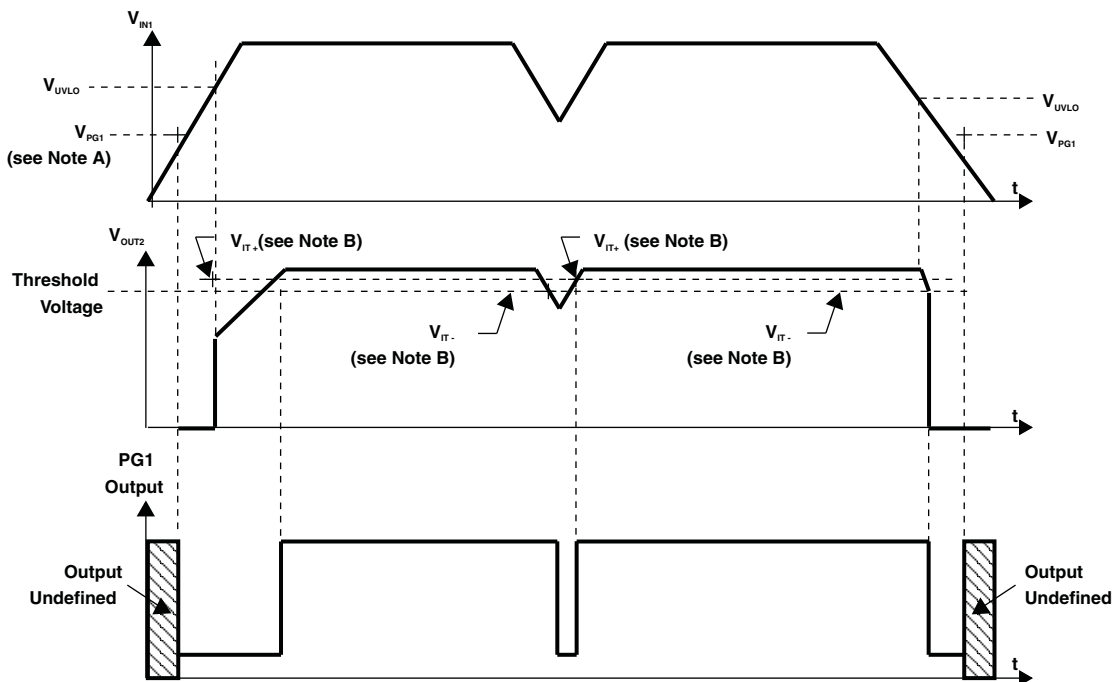


NOTES: A. For most applications, V<sub>SENSE1</sub> and V<sub>SENSE2</sub> should be externally connected to V<sub>OUT</sub> as close as possible to the device. For other implementations, refer to SENSE terminal connection discussion in the Application Information section.  
 B. If the SEQ terminal is floating at the input, V<sub>OUT2</sub> powers up first.



NOTES: A.  $V_{PG}$  is the minimum input voltage for a valid PG. The symbol  $V_{PG}$  is not currently listed within EIA or JEDEC standards for semiconductor symbology.  
 B.  $V_{IT}$  - Trip voltage is typically 5% lower than the output voltage ( $95\%V_o$ ).  $V_{IT-}$  to  $V_{IT+}$  is the hysteresis.

Figure 1. RESET Timing Diagram (With  $V_{IN1}$  Powered Up and MR1 and MR2 at Logic High)



NOTES: A.  $V_{PG}$  is the minimum input voltage for a valid PG. The symbol  $V_{PG}$  is not currently listed within EIA or JEDEC standards for semiconductor symbology.  
 B.  $V_{IT}$  - Trip voltage is typically 5% lower than the output voltage ( $95\%V_o$ ).  $V_{IT-}$  to  $V_{IT+}$  is the hysteresis.

Figure 2. PG1 Timing Diagram

**TERMINAL FUNCTIONS**

TERMINAL		I/O	DESCRIPTION
NAME	NO.		
$\overline{\text{EN}}$	5	I	Active low enable
GND	7		Regulator ground
$\overline{\text{MR1}}$	4	I	Manual reset input 1, active low, pulled up internally
$\overline{\text{MR2}}$	3	I	Manual reset input 2, active low, pulled up internally
NC	10, 11, 20		No connection
PG1	16	O	Open drain output, low when $V_{\text{OUT1}}$ voltage is less than 95% of the nominal regulated voltage
$\overline{\text{RESET}}$	15	O	Open drain output, SVS (power on reset) signal, active low
SEQ	6	I	Power up sequence control: SEQ=High, $V_{\text{OUT2}}$ powers up first; SEQ=Low, $V_{\text{OUT1}}$ powers up first, SEQ terminal pulled up internally.
$V_{\text{IN1}}$	1, 2	I	Input voltage of regulator 1
$V_{\text{IN2}}$	8, 9	I	Input voltage of regulator 2
$V_{\text{OUT1}}$	18, 19	O	Output voltage of regulator 1
$V_{\text{OUT2}}$	12, 13	O	Output voltage of regulator 2
$V_{\text{SENSE2}}$	14	I	Regulator 2 output voltage sense
$V_{\text{SENSE1}}$	17	I	Regulator 1 output voltage sense

**DETAILED DESCRIPTION**

The TPS70358 low dropout regulator family provides dual regulated output voltages for DSP applications that require a high performance power management solution. These devices provide fast transient response and high accuracy, while drawing low quiescent current. Programmable sequencing provides a power solution for DSPs without any external component requirements. This reduces the component cost and board space while increasing total system reliability. TPS703xx family has an enable feature which puts the device in sleep mode reducing the input current to 1  $\mu\text{A}$ . Other features are the integrated SVS (power on reset, RESET) and power good (PG1). These monitor output voltages and provide logic output to the system. These differentiated features provide a complete DSP power solution.

The TPS703xx, unlike many other LDOs, features very low quiescent current which remains virtually constant even with varying loads. Conventional LDO regulators use a PNP pass element, the base current of which is directly proportional to the load current through the regulator ( $I_B = I_C/\beta$ ). The TPS703xx uses a PMOS transistor to pass current. Because the gate of the PMOS is voltage driven, operating current is low and stable over the full load range.

**PIN FUNCTIONS**
**Enable**

The  $\overline{\text{EN}}$  terminal is an input which enables or shuts down the device. If  $\overline{\text{EN}}$  is at a logic high signal the device is in shutdown mode. When the  $\overline{\text{EN}}$  goes to voltage low, then the device is enabled.

**Sequence**

The SEQ terminal is an input that programs which output voltage ( $V_{\text{OUT1}}$  or  $V_{\text{OUT2}}$ ) is turned on first. When the device is enabled and the SEQ terminal is pulled high or left open,  $V_{\text{OUT2}}$  turns on first and  $V_{\text{OUT1}}$  remains off until  $V_{\text{OUT2}}$  reaches approximately 83% of its regulated output voltage. If  $V_{\text{OUT2}}$  is pulled below 83% (i.e., over load condition)  $V_{\text{OUT1}}$  is turned off. This terminal has a 6- $\mu\text{A}$  pullup current to  $V_{\text{IN1}}$ .

Pulling the SEQ terminal low reverses the power-up order and  $V_{\text{OUT1}}$  is turned on first. For detail timing diagrams refer to [Figure 35](#) through [Figure 41](#).

**Power Good (PG1)**

The PG1 terminal is an open drain, active high output terminal which indicates the status of the  $V_{OUT1}$  regulator. When the  $V_{OUT1}$  reaches 95% of its regulated voltage, PG1 goes to a high impedance state. PG1 goes to a low impedance state when  $V_{OUT1}$  is pulled below 95% (i.e., over load condition) of its regulated voltage. The open drain output of the PG1 terminal requires a pullup resistor.

**Manual Reset Pins ( $\overline{MR1}$  and  $\overline{MR2}$ )**

$\overline{MR1}$  and  $\overline{MR2}$  are active low input terminals used to trigger a reset condition. When either  $\overline{MR1}$  or  $\overline{MR2}$  is pulled to logic low, a POR (RESET) occurs. These terminals have a 6- $\mu$ A pullup current to  $V_{IN1}$ . It is recommended that these pins be pulled high to  $V_{IN}$  when they are not used.

**Sense ( $V_{SENSE1}$ ,  $V_{SENSE2}$ )**

The sense terminals of fixed-output options must be connected to the regulator output, and the connection should be as short as possible. Internally, the sense terminals connect to high-impedance wide-bandwidth amplifiers through resistor-divider networks and noise pickup feeds through to the regulator output. It is essential to route the sense connections in such a way to minimize/avoid noise pickup. Adding RC networks between the  $V_{SENSE}$  terminals and  $V_{OUT}$  terminals to filter noise is not recommended because it can cause the regulators to oscillate.

**RESET Indicator**

$\overline{RESET}$  is an active low, open drain output and requires a pullup resistor for normal operation. When pulled up,  $\overline{RESET}$  goes to a high impedance state (i.e. logic high) after a 120-ms delay when all three of the following conditions are met. First,  $V_{IN1}$  must be above the undervoltage condition. Second, the manual reset ( $\overline{MR}$ ) pin must be in a high impedance state. Third,  $V_{OUT2}$  must be above approximately 95% of its regulated voltage. To monitor  $V_{OUT1}$ , the PG1 output pin can be connected to  $\overline{MR1}$  or  $\overline{MR2}$ .

 **$V_{IN1}$  and  $V_{IN2}$** 

$V_{IN1}$  and  $V_{IN2}$  are inputs to the regulators.

 **$V_{OUT1}$  and  $V_{OUT2}$** 

$V_{OUT1}$  and  $V_{OUT2}$  are output terminals of each regulator.

**ABSOLUTE MAXIMUM RATINGS<sup>(1)</sup>**

over operating free-air temperature range (unless otherwise noted)

		VALUE	UNIT
$V_{IN1}, V_{IN2}$	Input voltage range <sup>(2)</sup>	–0.3 to 7	V
	Voltage range at $\overline{EN}$	–0.3 to 7	V
$V_{OUT1}, V_{SENSE1}, V_{OUT2}, V_{SENSE2}$	Output voltage range	5.5	V
	Maximum $\overline{RESET}$ , PG1 voltage	7	V
	Maximum $\overline{MR1}$ , $\overline{MR2}$ and SEQ voltage	$V_{IN1}$	
	Peak output current	Internally limited	
$T_J$	Operating virtual junction temperature range	–55 to 150	°C
	Package thermal impedance	$\theta_{JC}$ (die to package top)	17.2
		$\theta_{JC}$ (die to package bottom)	5.49
		$\theta_{JB}$ (die to standard PCB trace)	38.4
$T_{stg}$	Storage temperature range	–65 to 150	°C
	ESD rating (HBM, human body model)	2	kV

- (1) Stresses beyond those listed under “absolute maximum ratings” may cause permanent damage to the device. These are stress ratings only, and functional operation of the device at these or any other conditions beyond those indicated under “recommended operating conditions” is not implied. Exposure to absolute-maximum-rated conditions for extended periods may affect device reliability.
- (2) All voltages are tied to network ground.

**RECOMMENDED OPERATING CONDITIONS**

over operating free-air temperature range (unless otherwise noted)

		MIN	NOM	MAX	UNIT
$V_I$	Input voltage <sup>(1)</sup>	2.7		6	V
$I_O$	Output current	Regulator 1	0	1	A
		Regulator 2	0	2	
$T_J$	Operating virtual storage temperature	–55		125	°C

- (1) To calculate the minimum input voltage for maximum output current, use the following equation:  $V_{I(\min)} = V_{O(\max)} + V_{DO(\max \text{ load})}$ .

**ELECTRICAL CHARACTERISTICS**

 over operating junction temperature range ( $T_J = -55^\circ\text{C}$  to  $125^\circ\text{C}$ )  $V_{IN1}$  or  $V_{IN2} = V_{OUTX(\text{nom})} + V$ ,  $I_{OUTX} = 1 \text{ mA}$ ,  $\overline{EN} = 0$ ,  $C_{OUT1} = 22 \mu\text{F}$ ,  $C_{OUT2} = 47 \mu\text{F}$  (unless otherwise noted)

PARAMETER		TEST CONDITIONS		MIN	TYP	MAX	UNIT
$V_O$	Output voltage <sup>(1)(2)</sup>	2.5 V output ( $V_{OUT2}$ )	$3.5 \text{ V} < V_I < 6 \text{ V}$ , $T_J = 25^\circ\text{C}$		2.5		V
			$3.5 \text{ V} < V_I < 6 \text{ V}$	2.45	2.55		
	3.3 V output ( $V_{OUT1}$ )	$4.3 \text{ V} < V_I < 6 \text{ V}$ , $T_J = 25^\circ\text{C}$		3.3			
		$4.3 \text{ V} < V_I < 6 \text{ V}$	3.234	3.366			
Quiescent current (GND current) for regulator 1 and regulator 2, $\overline{EN} = 0$ V <sup>(2)(1)</sup>		$T_J = 25^\circ\text{C}$			185	250	$\mu\text{A}$
Load regulation for $V_{OUT1}$ and $V_{OUT2}$ <sup>(3)</sup>		$T_J = 25^\circ\text{C}$			1		mV
Output voltage line regulation for regulator 1 and regulator 2 <sup>(1)</sup>		$V_O + 1 \text{ V} < V_I < 6 \text{ V}$ , $T_J = 25^\circ\text{C}$			0.01%		mV
Regulator 1		$V_O + 1 \text{ V} < V_I < 6 \text{ V}$ ,				5.6	
Regulator 2						6.25	

- (1) Minimum input operating voltage is 2.7 V or  $V_{O(\text{typ})} + 1 \text{ V}$ , whichever is greater. Maximum input voltage = 6 V, minimum output current is 1 mA.
- (2) Input voltage ( $V_{IN1}$  or  $V_{IN2}$ ) =  $V_{O(\text{Typ})} - 100 \text{ mV}$ . For the 2.5-V regulators, the dropout voltage is limited by input voltage range. The 3.3-V regulator input voltage is set to 3.2 V to perform this test.
- (3)  $I_O = 1 \text{ mA}$  to 1 A for regulator 1 and 1 mA to 2 A for regulator 2.

**ELECTRICAL CHARACTERISTICS (continued)**

over operating junction temperature range ( $T_J = -55^\circ\text{C}$  to  $125^\circ\text{C}$ )  $V_{IN1}$  or  $V_{IN2} = V_{OUTX(nom)} + V$ ,  $I_{OUTX} = 1\text{ mA}$ ,  $\overline{EN} = 0$ ,  $C_{OUT1} = 22\ \mu\text{F}$ ,  $C_{OUT2} = 47\ \mu\text{F}$  (unless otherwise noted)

PARAMETER		TEST CONDITIONS	MIN	TYP	MAX	UNIT
Output current limit	Regulator 1	$V_O = 0\text{ V}$		1.75	2.2	A
	Regulator 2			3.8	4.5	
Thermal shutdown junction temperature				150		$^\circ\text{C}$
$I_{I(\text{standby})}$ Standby current		$\overline{EN} = V_I$ , $T_J = 25^\circ\text{C}$		1	2	$\mu\text{A}$
		$\overline{EN} = V_I$			10	
<b><math>\overline{\text{RESET}}</math> TERMINAL</b>						
Minimum input voltage for valid $\overline{\text{RESET}}$		$I_{(\text{RESET})} = 300\ \mu\text{A}$ , $V_{(\text{RESET})} \leq 0.8\text{ V}$		1	1.45	V
Trip threshold voltage		$V_O$ decreasing	92%	95%	98%	$V_O$
Hysteresis voltage		Measured at $V_O$		0.5%		$V_O$
$t_{(\text{RESET})}^{(4)}$		$\overline{\text{RESET}}$ pulse duration, $T_J = 25^\circ\text{C}$	80	120	160	ms
$t_{r(\text{RESET})}^{(4)}$		Rising edge deglitch		30		$\mu\text{s}$
Output low voltage		$V_I = 3.5\text{ V}$ , $I_{(\text{RESET})} = 1\text{ mA}$		0.15	0.4	V
Leakage current		$V_{(\text{RESET})} = 6\text{ V}$			1	$\mu\text{A}$
<b>PG TERMINAL</b>						
Minimum input voltage for valid PG		$I_{(\text{PG})} = 300\ \mu\text{A}$ , $V_{(\text{PG1})} \leq 0.8\text{ V}$		1	1.45	V
Trip threshold voltage		$V_O$ decreasing	92%	95%	98%	$V_O$
Hysteresis voltage		Measured at $V_O$		0.5%		$V_O$
$t_{r(\text{PG1})}$		Rising edge deglitch		30		$\mu\text{s}$
Output low voltage		$V_I = 2.7\text{ V}$ , $I_{(\text{PG})} = 1\text{ mA}$		0.15	0.4	V
Leakage current		$V_{(\text{PG1})} = 6\text{ V}$			1	$\mu\text{A}$
<b><math>\overline{\text{EN}}</math> TERMINAL</b>						
High-level $\overline{\text{EN}}$ input voltage			2			V
Low-level $\overline{\text{EN}}$ input voltage					0.7	V
Input current ( $\overline{\text{EN}}$ )			-1		1	$\mu\text{A}$
<b>SEQ TERMINAL</b>						
High-level SEQ input voltage			2			V
Low-level SEQ input voltage					0.7	V
SEQ pullup current source				6		$\mu\text{A}$
<b><math>\overline{\text{MR1}}</math> / <math>\overline{\text{MR2}}</math> TERMINAL</b>						
High-level input voltage			2			V
Low-level input voltage					0.7	V
Pullup current source				6		$\mu\text{A}$
<b><math>V_{OUT2}</math> TERMINAL</b>						
$V_{OUT2}$ UV comparator - positive-going input threshold voltage of $V_{OUT2}$ UV comparator			80% $V_O$	83% $V_O$	86% $V_O$	V
$V_{OUT2}$ UV comparator - hysteresis				3% $V_O$		mV
$V_{OUT2}$ UV comparator - falling edge deglitch <sup>(4)</sup>		$V_{\text{SENSE2}}$ decreasing below threshold		140		$\mu\text{s}$
Peak output current		2-ms pulse width		3		A
Discharge transistor current		$V_{OUT2} = 1.5\text{ V}$		7.5		mA
<b><math>V_{OUT1}</math> TERMINAL</b>						
$V_{OUT1}$ UV comparator - positive-going input threshold voltage of $V_{OUT1}$ UV comparator			80% $V_O$	83% $V_O$	86% $V_O$	V
$V_{OUT1}$ UV comparator - hysteresis				3% $V_O$		mV
$V_{OUT1}$ UV comparator - falling edge deglitch		$V_{\text{SENSE1}}$ decreasing below threshold		140		$\mu\text{s}$

(4) Not production tested. Specified by design.



**ELECTRICAL CHARACTERISTICS (continued)**

over operating junction temperature range ( $T_J = -55^\circ\text{C}$  to  $125^\circ\text{C}$ )  $V_{IN1}$  or  $V_{IN2} = V_{OUTX(\text{nom})} + V$ ,  $I_{OUTX} = 1\text{ mA}$ ,  $\overline{\text{EN}} = 0$ ,  $C_{OUT1} = 22\ \mu\text{F}$ ,  $C_{OUT2} = 47\ \mu\text{F}$  (unless otherwise noted)

PARAMETER	TEST CONDITIONS	MIN	TYP	MAX	UNIT
Dropout voltage <sup>(5)</sup>	$I_O = 1\text{ A}$ , $V_{IN1} = 3.2\text{ V}$ , $T_J = 25^\circ\text{C}$		160		mV
	$I_O = 1\text{ A}$ , $V_{IN1} = 3.2\text{ V}$			400	
Peak output current	2-ms pulse width		1.2		A
Discharge transistor current	$V_{OUT1} = 1.5\text{ V}$		7.5		mA
<b>VIN1 / VIN2 TERMINAL</b>					
UVLO threshold		2.3		2.65	V
UVLO hysteresis			110		mV

(5) Input voltage ( $V_{IN1}$  or  $V_{IN2}$ ) =  $V_O(\text{Typ}) - 100\text{ mV}$ . For the 2.5-V regulators, the dropout voltage is limited by input voltage range. The 3.3-V regulator input voltage is set to 3.2 V to perform this test.

TYPICAL CHARACTERISTICS

Table 1. TPS70358M

PRODUCT	VOLTAGE (V)		PACKAGE-LEAD (DESIGNATOR)	SPECIFIED TEMPERATURE RANGE (T <sub>J</sub> )	ORDERING NUMBER	TOP-SIDE MARKING
	V <sub>OUT1</sub>	V <sub>OUT2</sub>				
TPS70358M	3.3 V	2.5 V	DFP-20 (HKH)	-55°C to 125°C	TPS70358MHKH	TPS70358MHKH

Table 2. Table of Graphs

			FIGURE
V <sub>O</sub>	Output voltage	vs Output current	<a href="#">Figure 3, Figure 4</a>
		vs Junction temperature	<a href="#">Figure 5, Figure 6</a>
	Ground current	vs Junction temperature	<a href="#">Figure 7</a>
PSRR	Power supply rejection ratio	vs Frequency	<a href="#">Figure 8 - Figure 11</a>
	Output spectral noise density	vs Frequency	<a href="#">Figure 12 - Figure 15</a>
Z <sub>O</sub>	Output impedance	vs Frequency	<a href="#">Figure 16 - Figure 19</a>
		vs Temperature	<a href="#">Figure 20, Figure 21</a>
	Dropout voltage	vs Input voltage	<a href="#">Figure 22, Figure 23</a>
	Load transient response		<a href="#">Figure 24, Figure 25</a>
	Line transient response		<a href="#">Figure 26, Figure 27</a>
V <sub>O</sub>	Output voltage and enable voltage	vs Time (start-up)	<a href="#">Figure 28, Figure 29</a>
	Equivalent series resistance	vs Output current	<a href="#">Figure 31 - Figure 34</a>

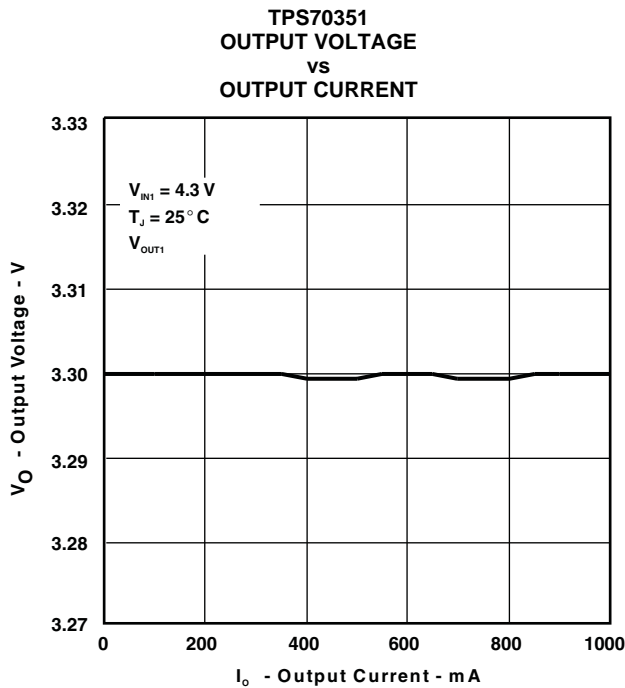


Figure 3.

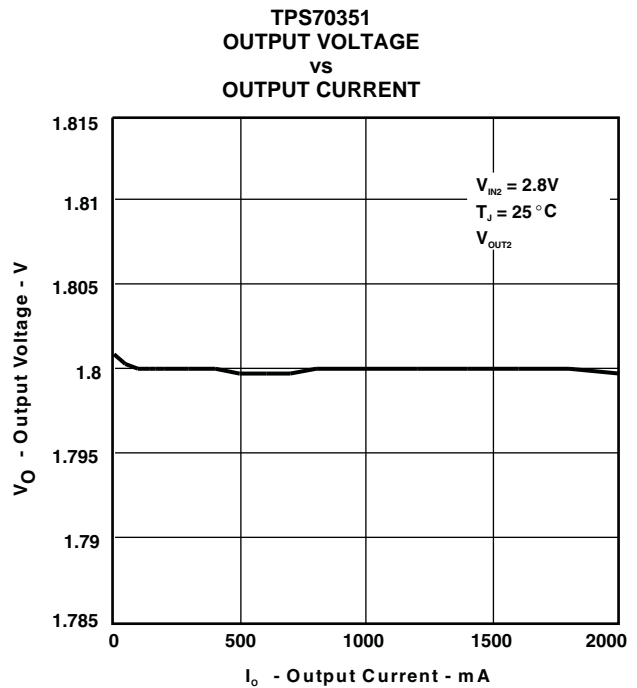


Figure 4.

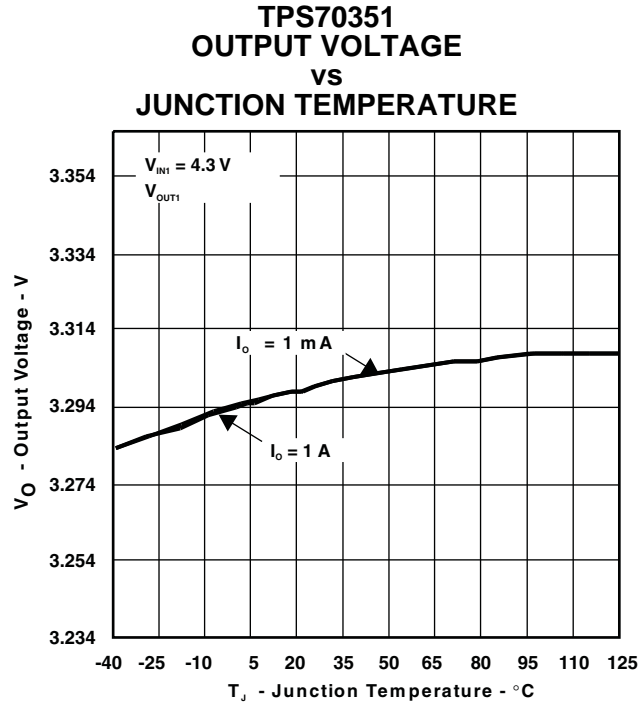


Figure 5.

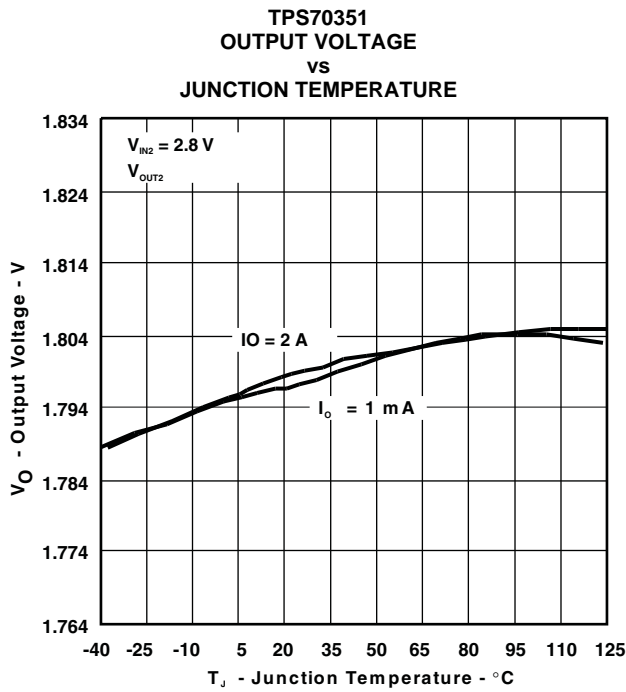


Figure 6.

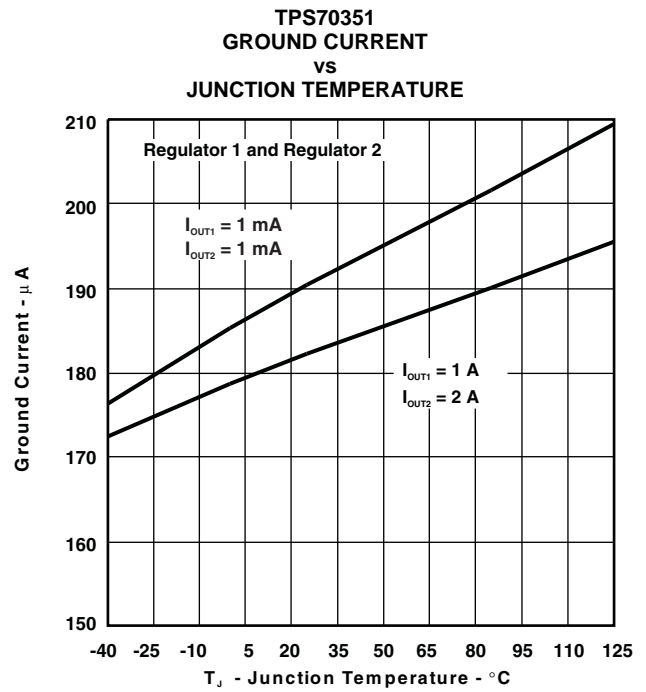


Figure 7.

**TPS70351**  
**OUTPUT VOLTAGE**  
**vs**  
**JUNCTION TEMPERATURE (continued)**

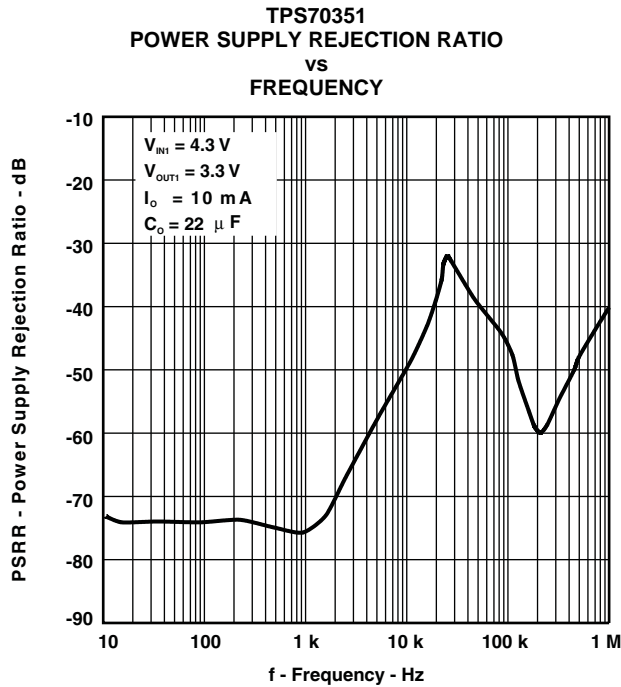


Figure 8.

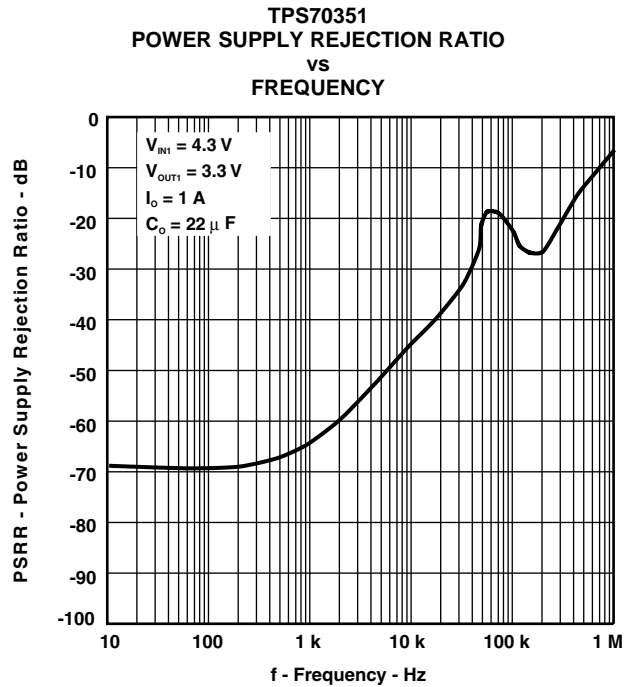


Figure 9.

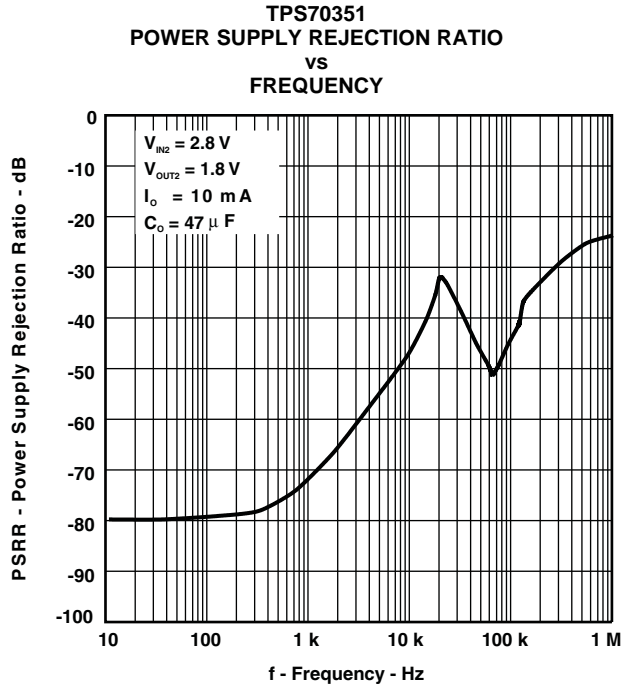


Figure 10.

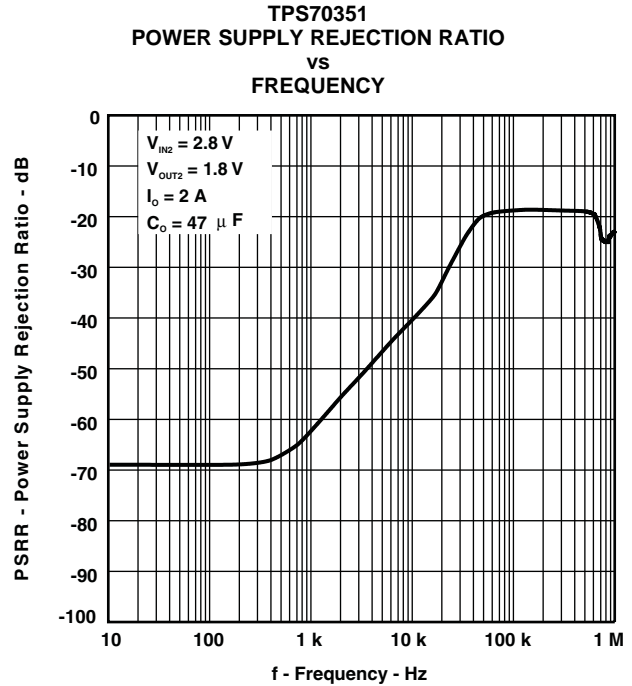


Figure 11.

TPS70351  
OUTPUT VOLTAGE  
vs  
JUNCTION TEMPERATURE (continued)

OUTPUT SPECTRAL NOISE DENSITY  
vs  
FREQUENCY

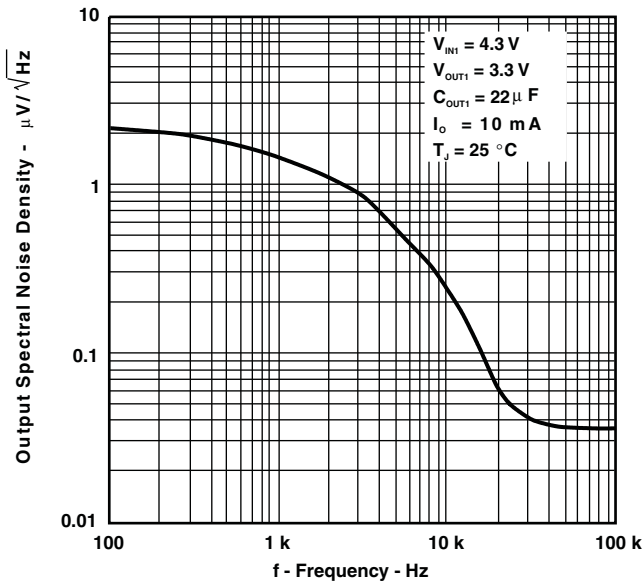


Figure 12.

OUTPUT SPECTRAL NOISE DENSITY  
vs  
FREQUENCY

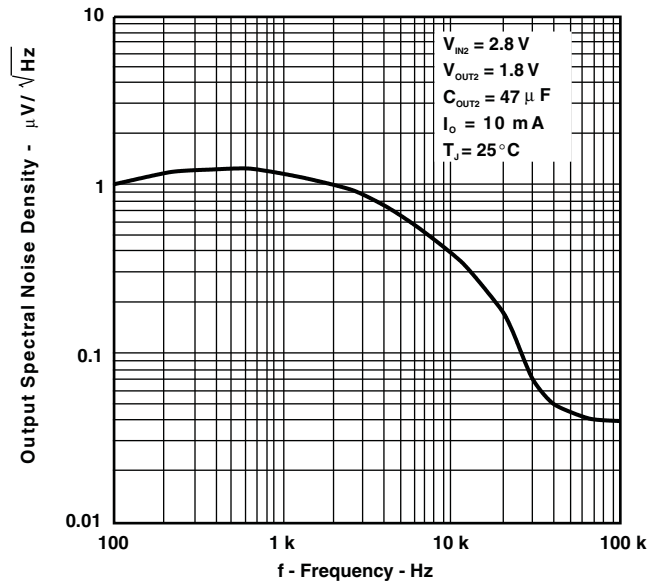


Figure 13.

OUTPUT SPECTRAL NOISE DENSITY  
vs  
FREQUENCY

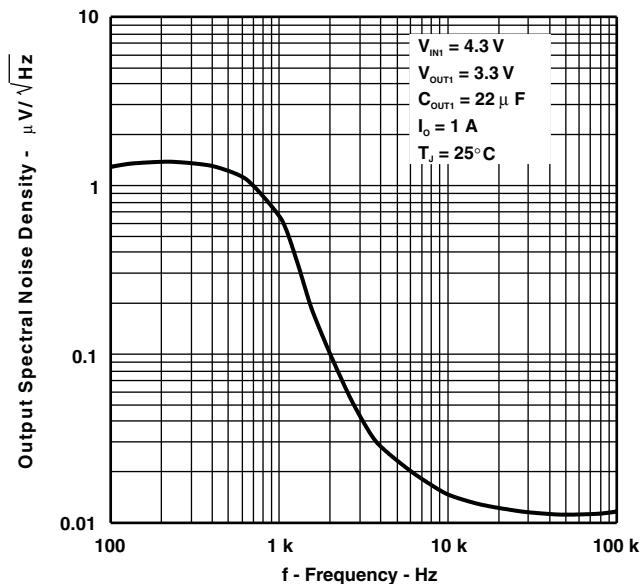


Figure 14.

OUTPUT SPECTRAL NOISE DENSITY  
vs  
FREQUENCY

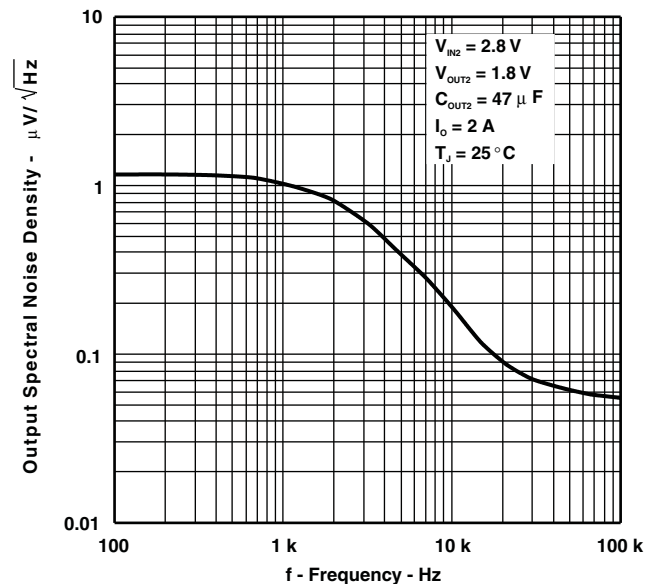


Figure 15.

**TPS70351**  
**OUTPUT VOLTAGE**  
**VS**  
**JUNCTION TEMPERATURE (continued)**

**OUTPUT IMPEDANCE**  
**VS**  
**FREQUENCY**

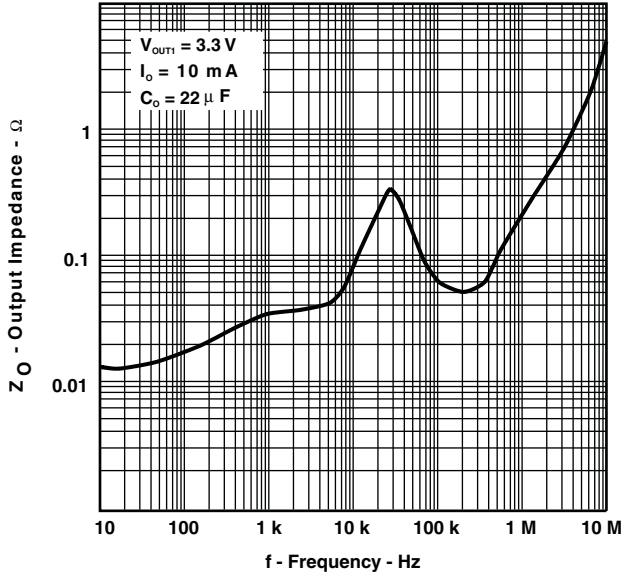


Figure 16.

**OUTPUT IMPEDANCE**  
**VS**  
**FREQUENCY**

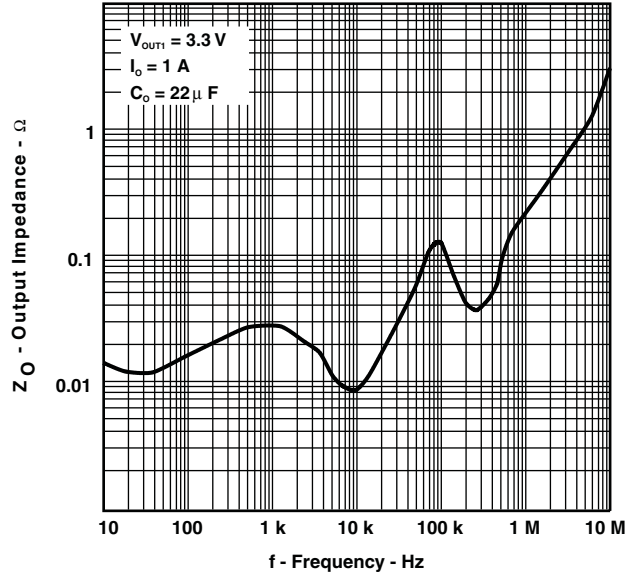


Figure 17.

**OUTPUT IMPEDANCE**  
**VS**  
**FREQUENCY**

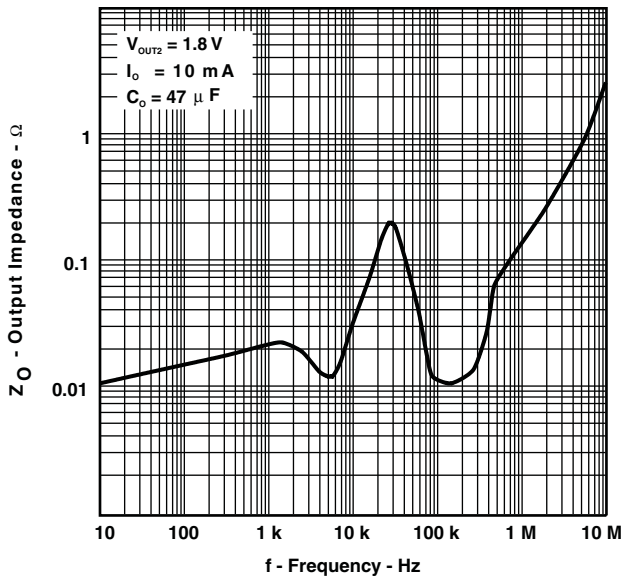


Figure 18.

**OUTPUT IMPEDANCE**  
**VS**  
**FREQUENCY**

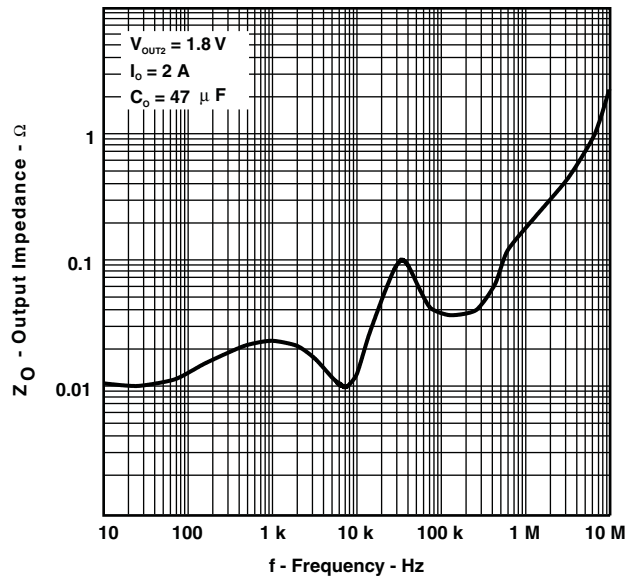


Figure 19.

**TPS70351  
OUTPUT VOLTAGE  
vs  
JUNCTION TEMPERATURE (continued)**

**TPS70351  
DROPOUT VOLTAGE  
vs  
TEMPERATURE**

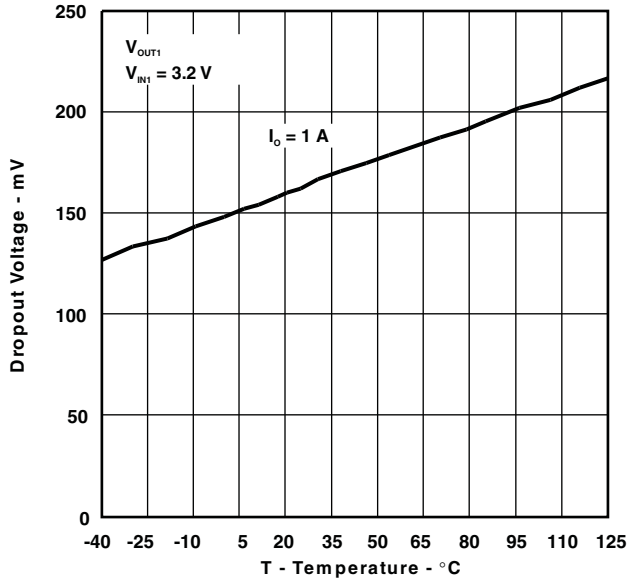


Figure 20.

**TPS70351  
DROPOUT VOLTAGE  
vs  
TEMPERATURE**

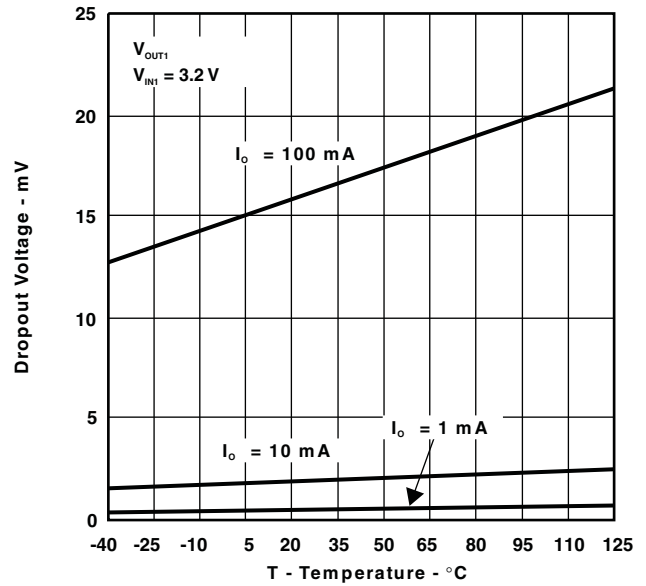


Figure 21.

**TPS70302  
DROPOUT VOLTAGE  
vs  
INPUT VOLTAGE**

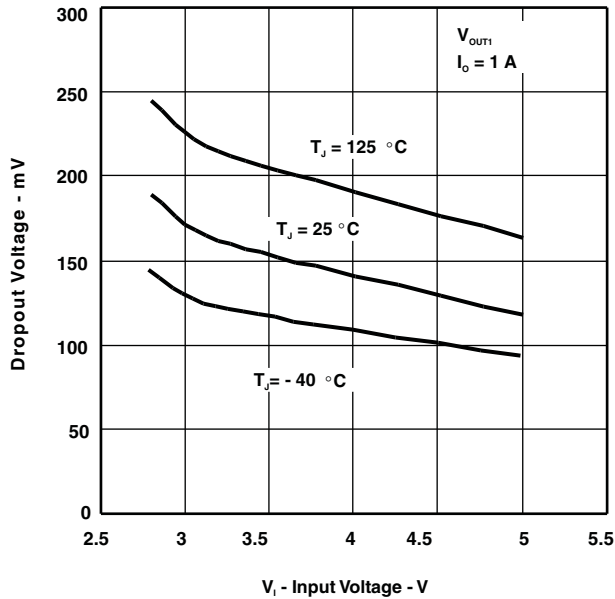


Figure 22.

**TPS70302  
DROPOUT VOLTAGE  
vs  
INPUT VOLTAGE**

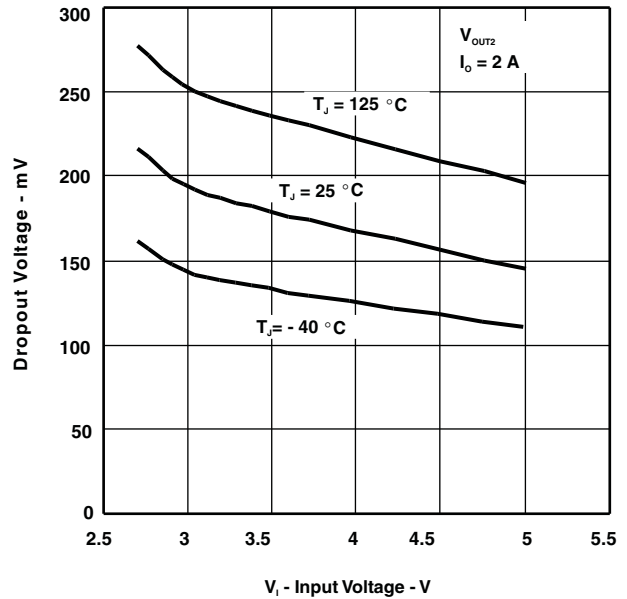


Figure 23.

**TPS70351**  
**OUTPUT VOLTAGE**  
**vs**  
**JUNCTION TEMPERATURE (continued)**

**LOAD TRANSIENT RESPONSE**

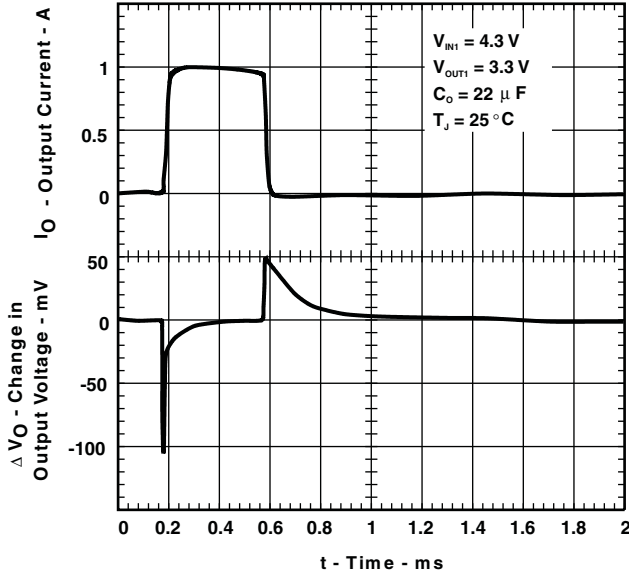


Figure 24.

**LOAD TRANSIENT RESPONSE**

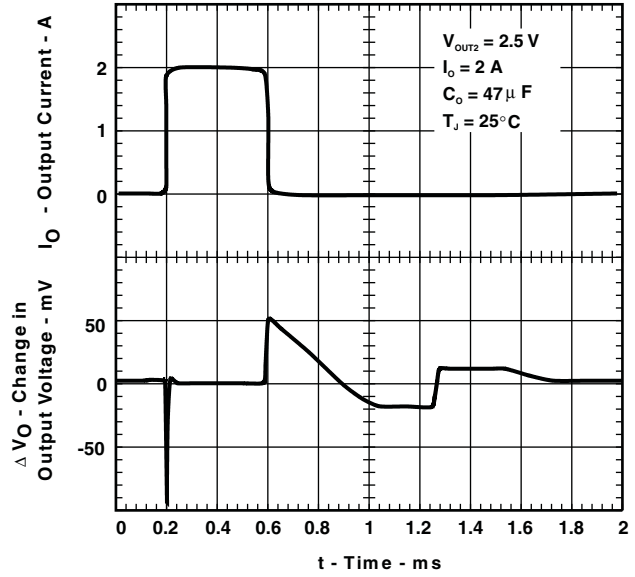


Figure 25.

**LINE TRANSIENT RESPONSE**

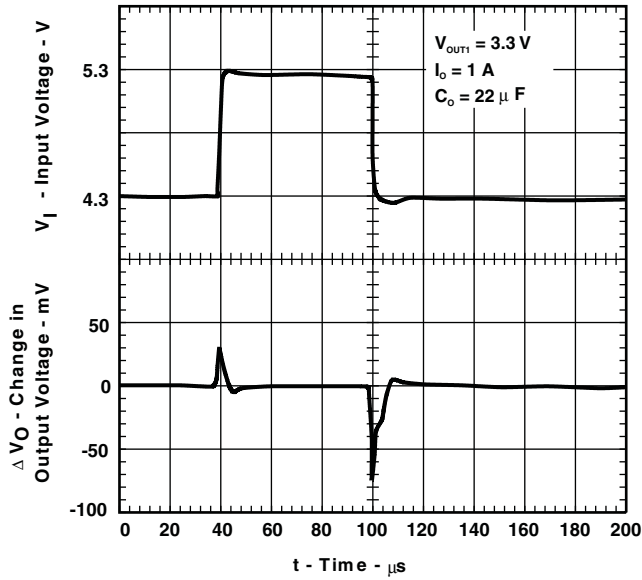


Figure 26.

**LINE TRANSIENT RESPONSE**

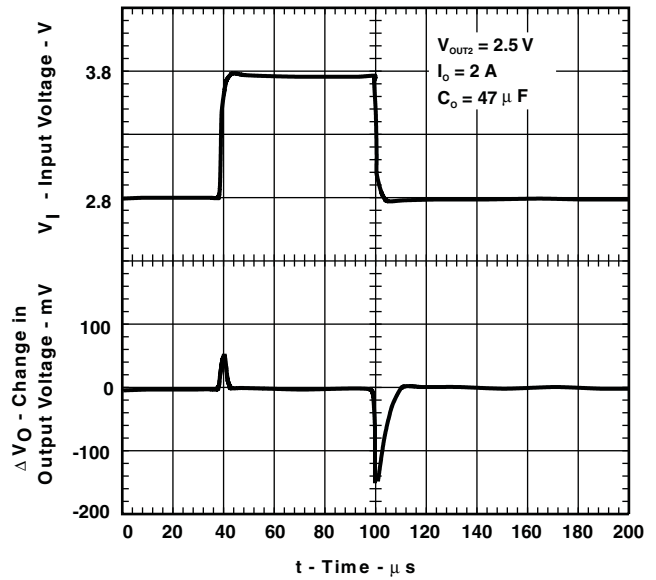


Figure 27.



**TPS70351**  
**OUTPUT VOLTAGE**  
**VS**  
**JUNCTION TEMPERATURE (continued)**

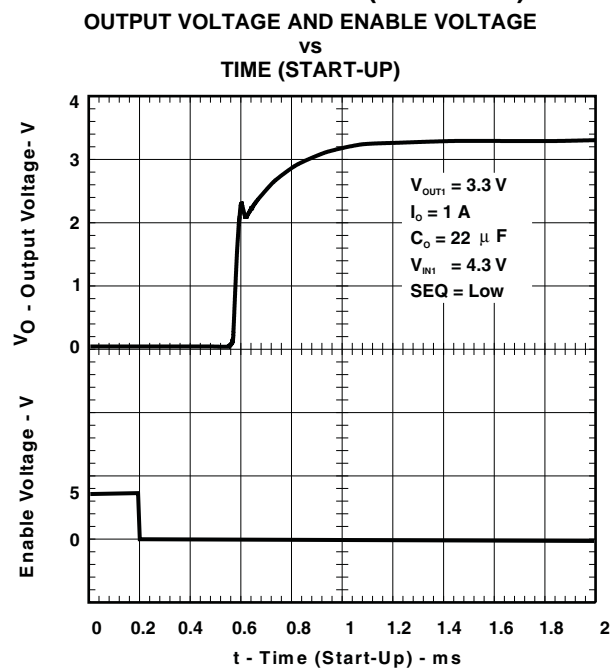


Figure 28.

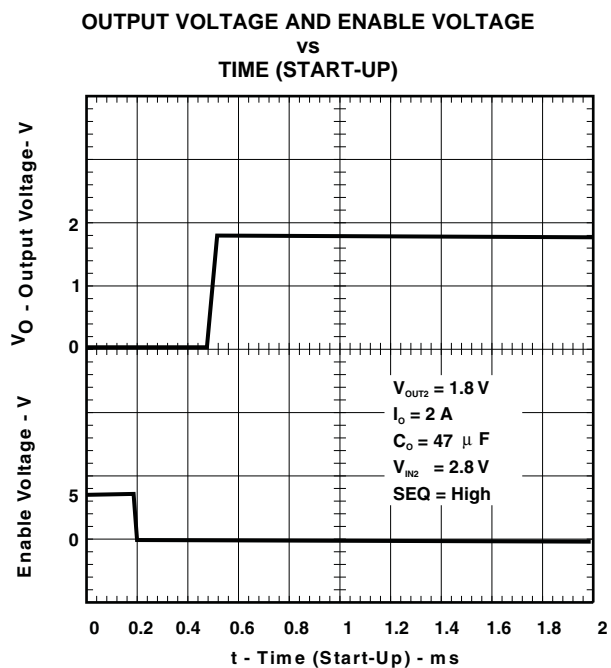


Figure 29.

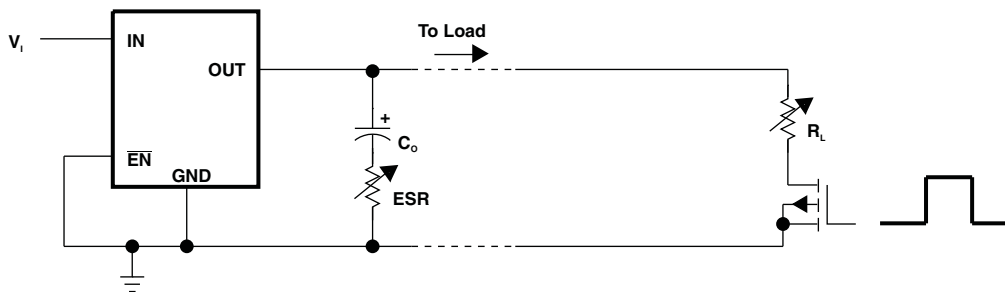


Figure 30. Test Circuit for Typical Regions of Stability

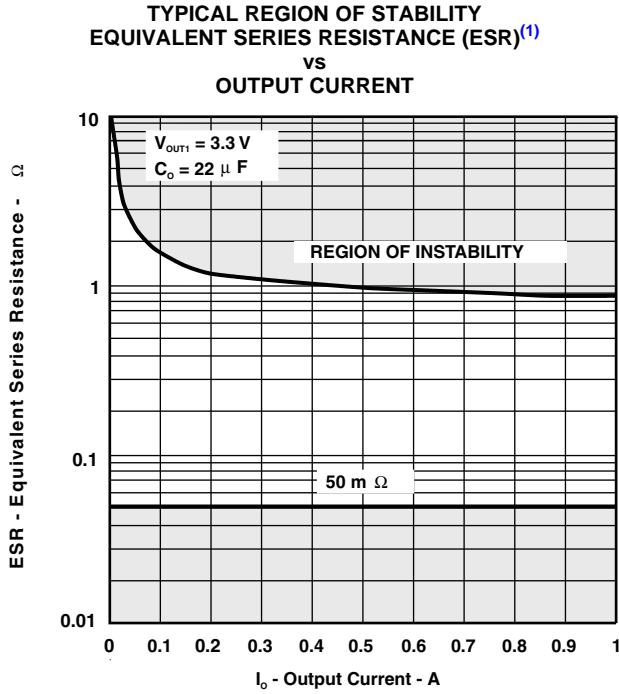


Figure 31.

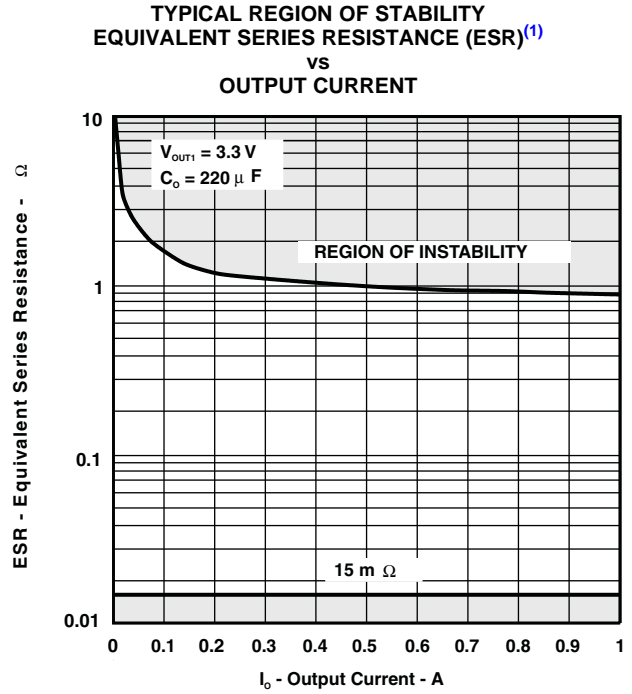


Figure 32.

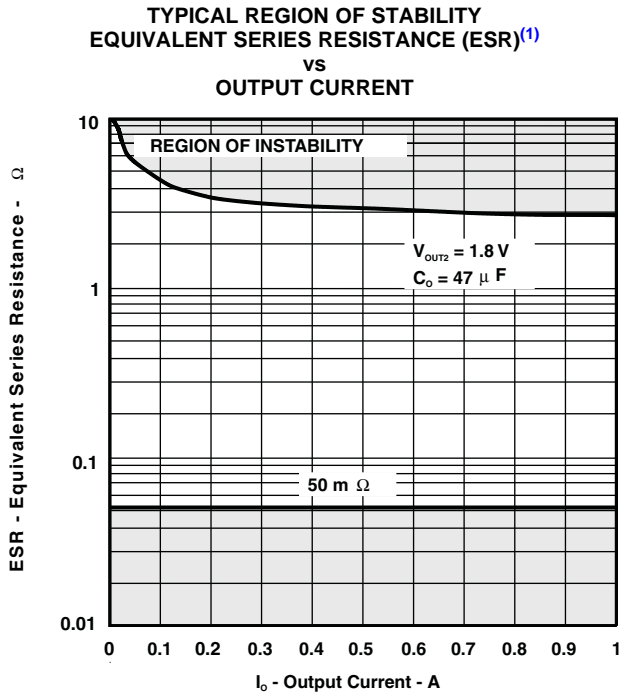


Figure 33.

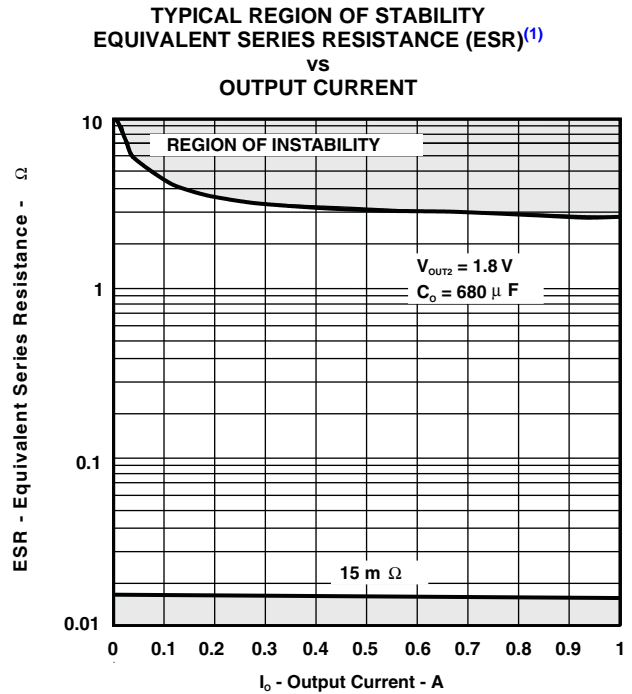


Figure 34.

## APPLICATION INFORMATION

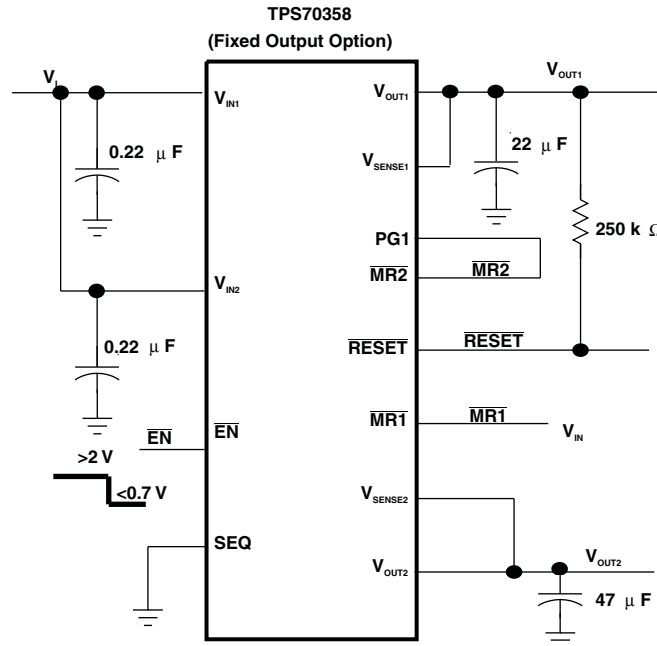
### Sequencing Timing Diagrams

The following figures provide a timing diagram of how this device functions in different configurations.

#### SEQ = Low

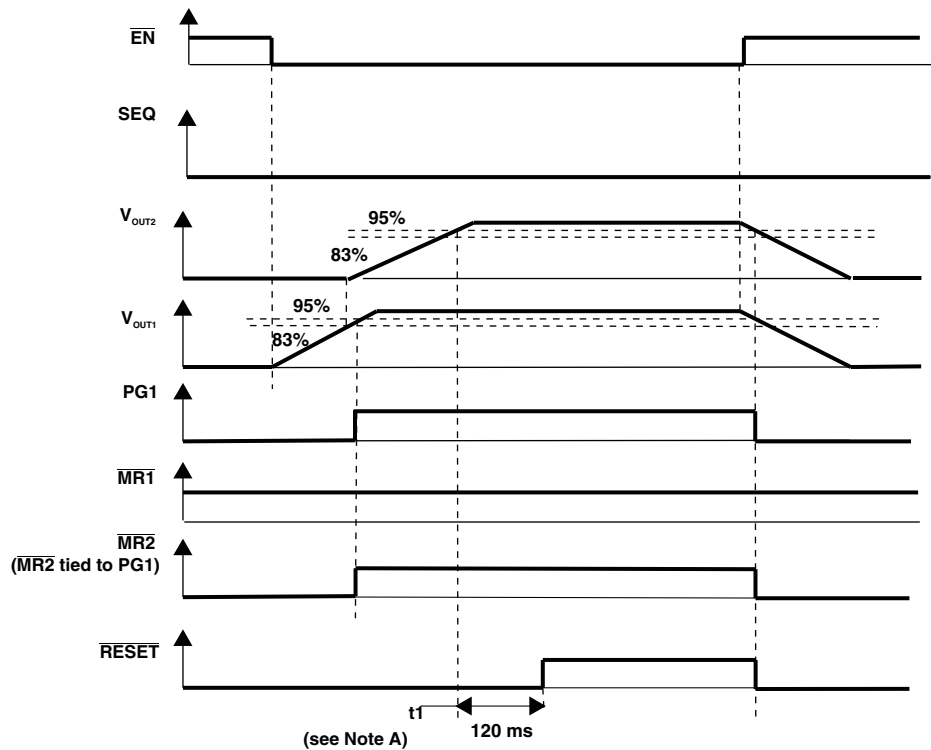
#### Application Conditions Not Shown in Block Diagram:

$V_{IN1}$  and  $V_{IN2}$  are tied to the same fixed input voltage greater than the  $V_{UVLO}$ ; SEQ is tied to logic low; PG1 is tied to MR2; MR1 is not used and is connected to  $V_{IN}$ .



#### Explanation of Timing Diagram:

$\overline{EN}$  is initially high; therefore, both regulators are off and PG1 and  $\overline{RESET}$  are at logic low. With SEQ at logic low, when  $\overline{EN}$  is taken to logic low,  $V_{OUT1}$  turns on.  $V_{OUT2}$  turns on after  $V_{OUT1}$  reaches 83% of its regulated output voltage. When  $V_{OUT1}$  reaches 95% of its regulated output voltage, PG1 (tied to MR2) goes to logic high. When both  $V_{OUT1}$  and  $V_{OUT2}$  reach 95% of their respective regulated output voltages and both MR1 and MR2 (tied to PG1) are at logic high,  $\overline{RESET}$  is pulled to logic high after a 120-ms delay. When  $\overline{EN}$  is returned to logic high, both devices power down and both PG1 (tied to MR2) and  $\overline{RESET}$  return to logic low.



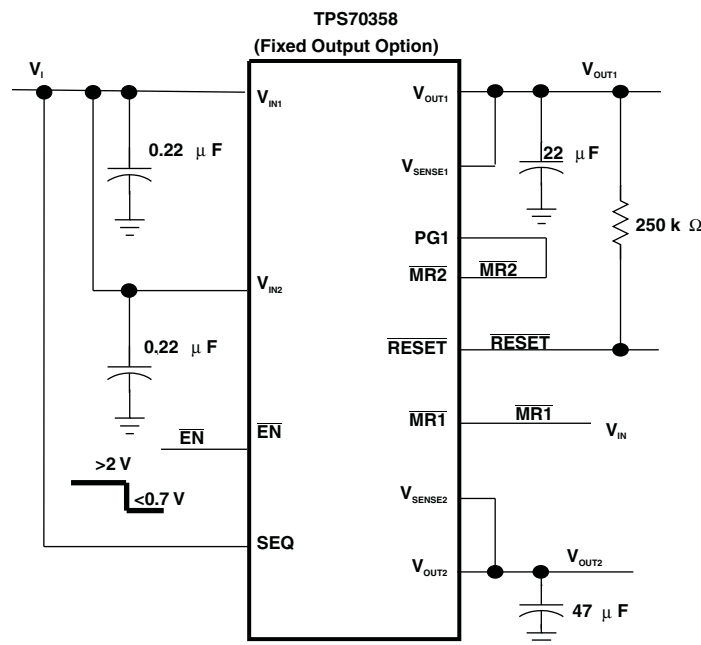
NOTE A:  $t_1$  - Time at which both  $V_{OUT1}$  and  $V_{OUT2}$  are greater than the PG thresholds and  $\overline{MR1}$  is logic high.

Figure 35. Timing When SEQ = Low

SEQ = High

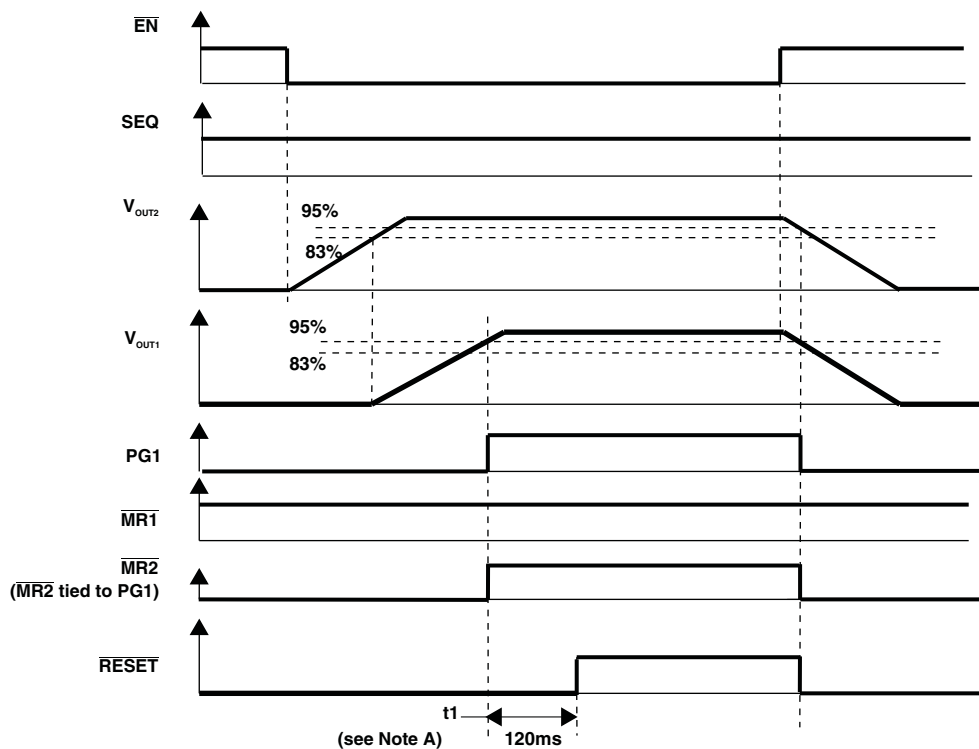
Application Conditions Not Shown in Block Diagram:

$V_{IN1}$  and  $V_{IN2}$  are tied to the same fixed input voltage greater than the  $V_{UVLO}$ ; SEQ is tied to logic high; PG1 is tied to MR2; MR1 is not used and is connected to  $V_{IN}$ .



**Explanation of Timing Diagram:**

$\overline{EN}$  is initially high; therefore, both regulators are off and PG1 and  $\overline{RESET}$  are at logic low. With SEQ at logic high, when  $\overline{EN}$  is taken to logic low,  $V_{OUT2}$  turns on.  $V_{OUT1}$  turns on after  $V_{OUT2}$  reaches 83% of its regulated output voltage. When  $V_{OUT1}$  reaches 95% of its regulated output voltage, PG1 (tied to MR2) goes to logic high. When both  $V_{OUT1}$  and  $V_{OUT2}$  reach 95% of their respective regulated output voltages and both MR1 and MR2 (tied to PG1) are at logic high,  $\overline{RESET}$  is pulled to logic high after a 120-ms delay. When  $\overline{EN}$  is returned to logic high, both devices turn off and both PG1 (tied to MR2) and  $\overline{RESET}$  return to logic low.



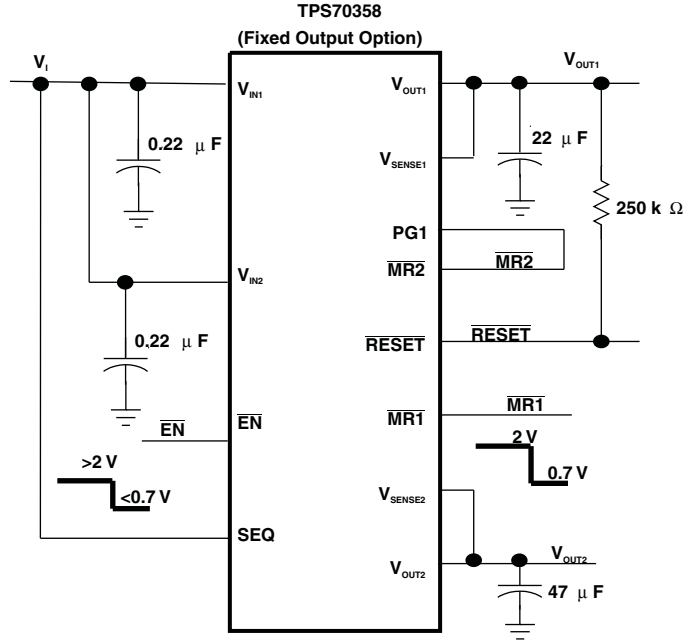
NOTE A: t1 - Time at which both  $V_{OUT1}$  and  $V_{OUT2}$  are greater than the PG thresholds and  $\overline{MR1}$  is logic high.

**Figure 36. Timing When SEQ = High**

**Toggle MR1**

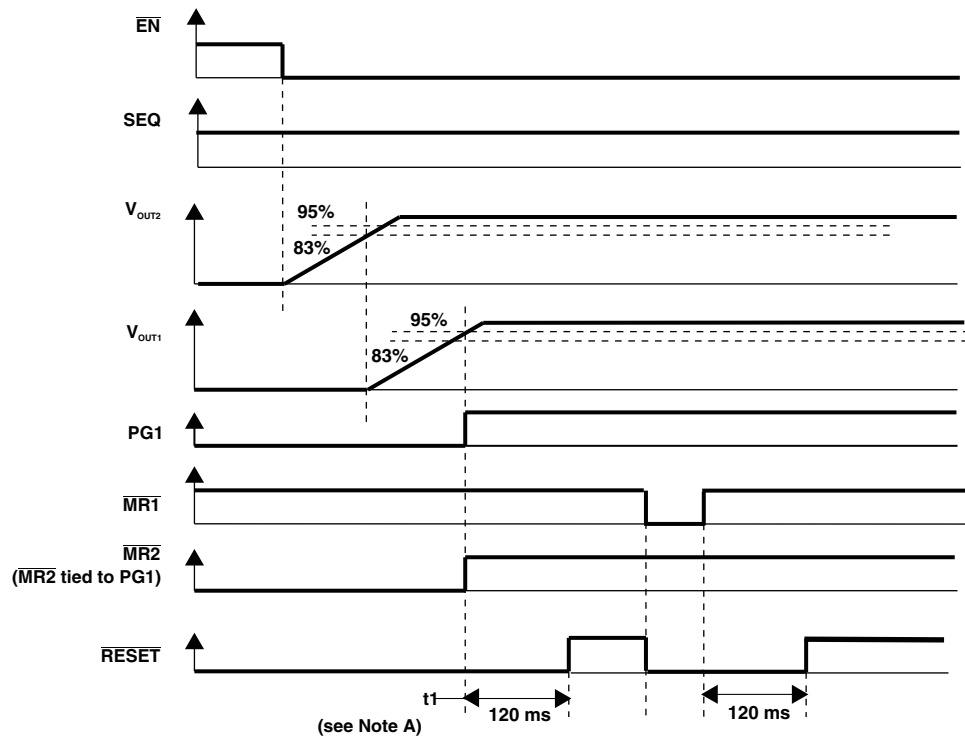
**Application Conditions Not Shown in Block Diagram:**

$V_{IN1}$  and  $V_{IN2}$  are tied to the same fixed input voltage greater than the  $V_{UVLO}$ ; SEQ is tied to logic high; PG1 is tied to MR2; MR1 is initially at logic high but is eventually toggled.



**Explanation of Timing Diagram:**

$\overline{EN}$  is initially high; therefore, both regulators are off and  $PG1$  and  $\overline{RESET}$  are at logic low. With  $SEQ$  at logic high, when  $\overline{EN}$  is taken low,  $V_{OUT2}$  turns on.  $V_{OUT1}$  turns on after  $V_{OUT2}$  reaches 83% of its regulated output voltage. When  $V_{OUT1}$  reaches 95% of its regulated output voltage,  $PG1$  (tied to  $MR2$ ) goes to logic high. When both  $V_{OUT1}$  and  $V_{OUT2}$  reach 95% of their respective regulated output voltages and both  $MR1$  and  $MR2$  (tied to  $PG1$ ) are at logic high,  $\overline{RESET}$  is pulled to logic high after a 120-ms delay. When  $MR1$  is taken low,  $\overline{RESET}$  returns to logic low but the outputs remain in regulation. When  $MR1$  is returned to logic high, since both  $V_{OUT1}$  and  $V_{OUT2}$  remain above 95% of their respective regulated output voltages and  $MR2$  (tied to  $PG1$ ) remains at logic high,  $\overline{RESET}$  is pulled to logic high after a 120-ms delay.



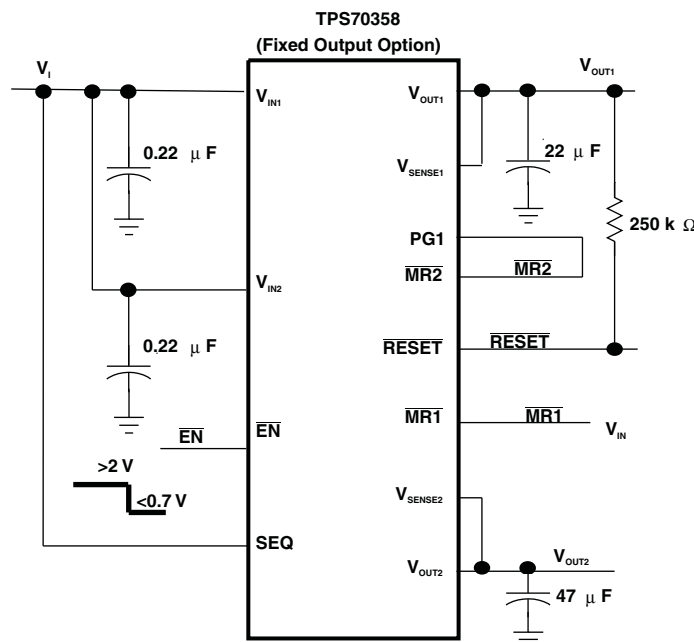
NOTE A: t<sub>1</sub> - Time at which both V<sub>OUT1</sub> and V<sub>OUT2</sub> are greater than the PG thresholds and MR1 is logic high.

Figure 37. Timing When MR1 is Toggled

V<sub>OUT1</sub> FAULT

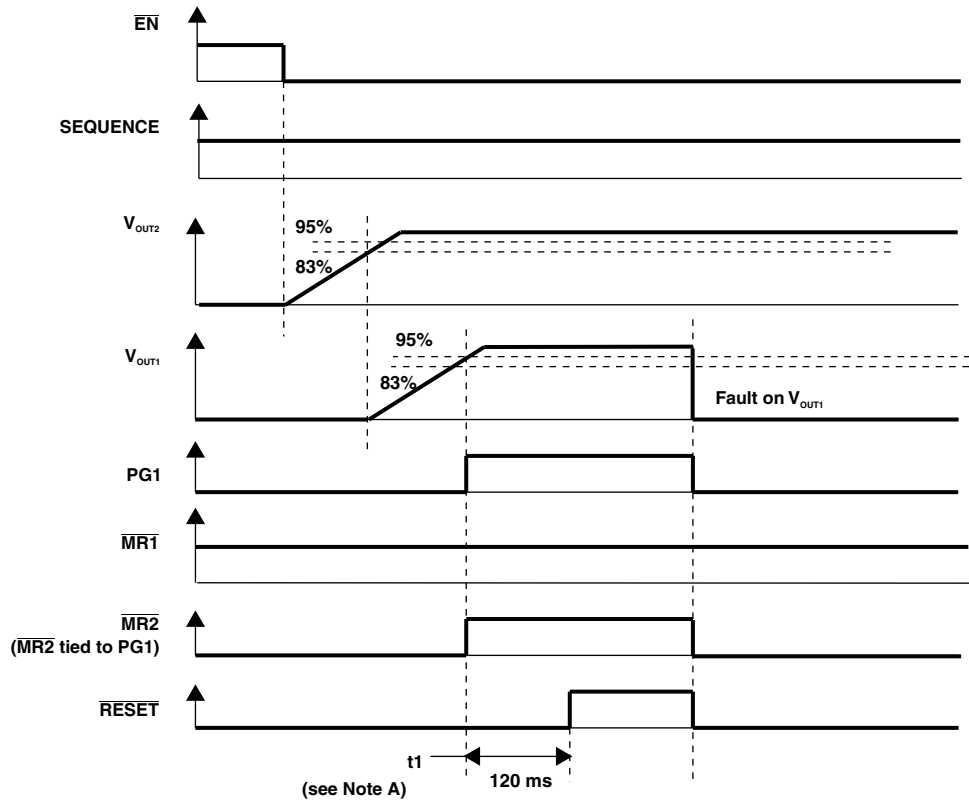
Application Conditions Not Shown in Block Diagram:

V<sub>IN1</sub> and V<sub>IN2</sub> are tied to the same fixed input voltage greater than the V<sub>UVLO</sub>; SEQ is tied to logic high; PG1 is tied to MR2; MR1 is not used and is connected to V<sub>IN</sub>.



**Explanation of Timing Diagram:**

$\overline{EN}$  is initially high; therefore, both regulators are off and PG1 and  $\overline{RESET}$  are at logic low. With SEQ at logic high, when  $\overline{EN}$  is taken low,  $V_{OUT2}$  turns on.  $V_{OUT1}$  turns on after  $V_{OUT2}$  reaches 83% of its regulated output voltage. When  $V_{OUT1}$  reaches 95% of its regulated output voltage, PG1 (tied to MR2) goes to logic high. When both  $V_{OUT1}$  and  $V_{OUT2}$  reach 95% of their respective regulated output voltages and both MR1 and MR2 (tied to PG1) are at logic high,  $\overline{RESET}$  is pulled to logic high after a 120-ms delay. When a fault on  $V_{OUT1}$  causes it to fall below 95% of its regulated output voltage, PG1 (tied to MR2) goes to logic low.



NOTE A:  $t_1$  - Time at which both  $V_{OUT1}$  and  $V_{OUT2}$  are greater than the PG thresholds and  $\overline{MR1}$  is logic high.

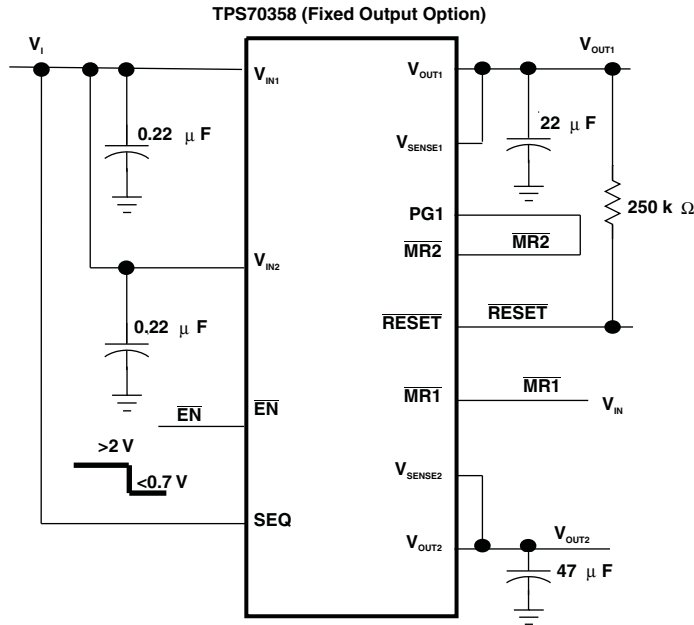
**Figure 38. Timing When a Fault Occurs on  $V_{OUT1}$**



## V<sub>OUT2</sub> FAULT

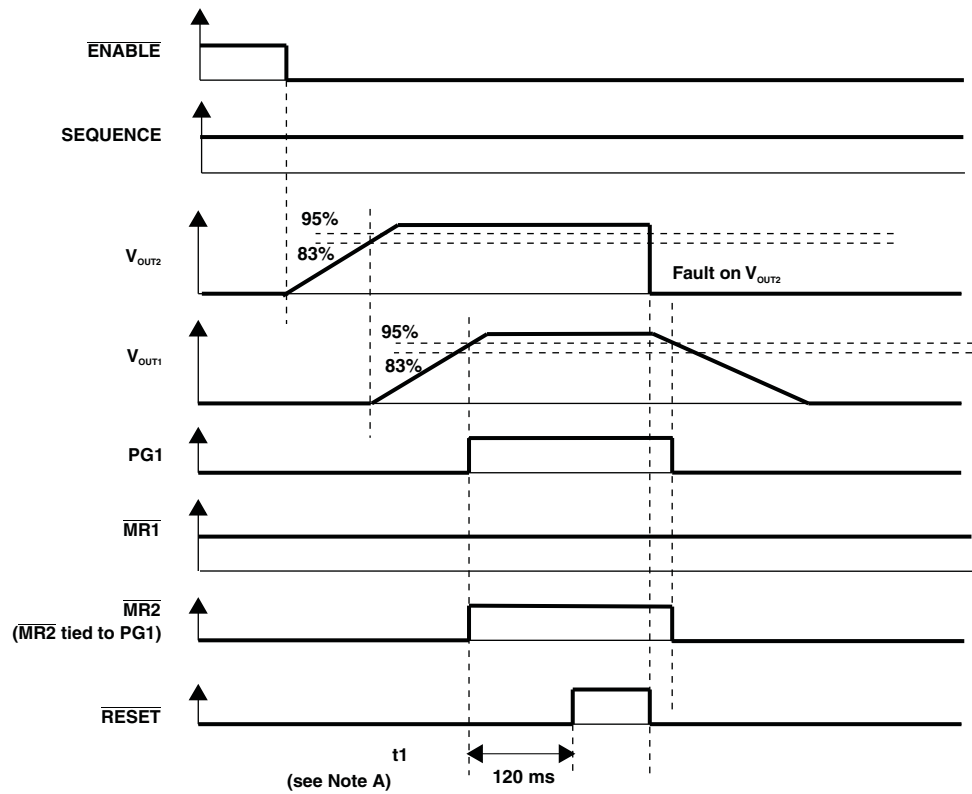
### Application Conditions Not Shown in Block Diagram:

V<sub>IN1</sub> and V<sub>IN2</sub> are tied to the same fixed input voltage greater than the V<sub>UVLO</sub>; SEQ is tied to logic high; PG1 is tied to MR2; MR1 is not used and is connected to V<sub>IN</sub>.



### Explanation of Timing Diagram:

$\overline{\text{EN}}$  is initially high; therefore, both regulators are off and PG1 and  $\overline{\text{RESET}}$  are at logic low. With SEQ at logic high, when EN is taken low, V<sub>OUT2</sub> turns on. V<sub>OUT1</sub> turns on after V<sub>OUT2</sub> reaches 83% of its regulated output voltage. When V<sub>OUT1</sub> reaches 95% of its regulated output voltage, PG1 (tied to MR2) goes to logic high. When both V<sub>OUT1</sub> and V<sub>OUT2</sub> reach 95% of their respective regulated output voltages and both MR1 and MR2 (tied to PG1) are at logic high,  $\overline{\text{RESET}}$  is pulled to logic high after a 120-ms delay. When a fault on V<sub>OUT2</sub> causes it to fall below 95% of its regulated output voltage,  $\overline{\text{RESET}}$  returns to logic low and V<sub>OUT1</sub> begins to power down because SEQ is high. When V<sub>OUT1</sub> falls below 95% of its regulated output voltage, PG1 (tied to MR2) returns to logic low.

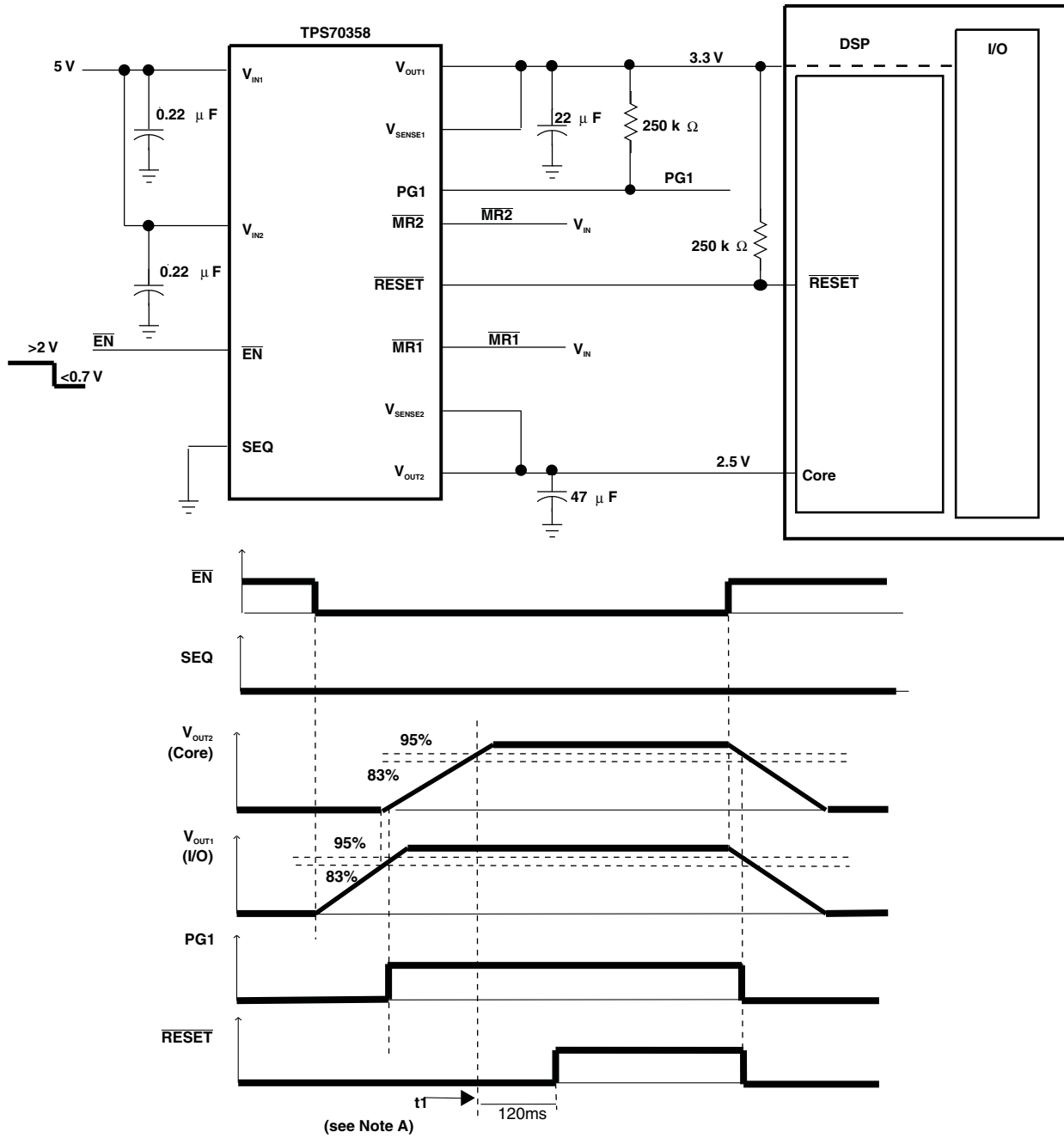


NOTE A: t<sub>1</sub> - Time at which both V<sub>OUT1</sub> and V<sub>OUT2</sub> are greater than the PG thresholds and MR1 is logic high.

**Figure 39. Timing When a Fault Occurs on V<sub>OUT2</sub>**

Split Voltage DSP Application

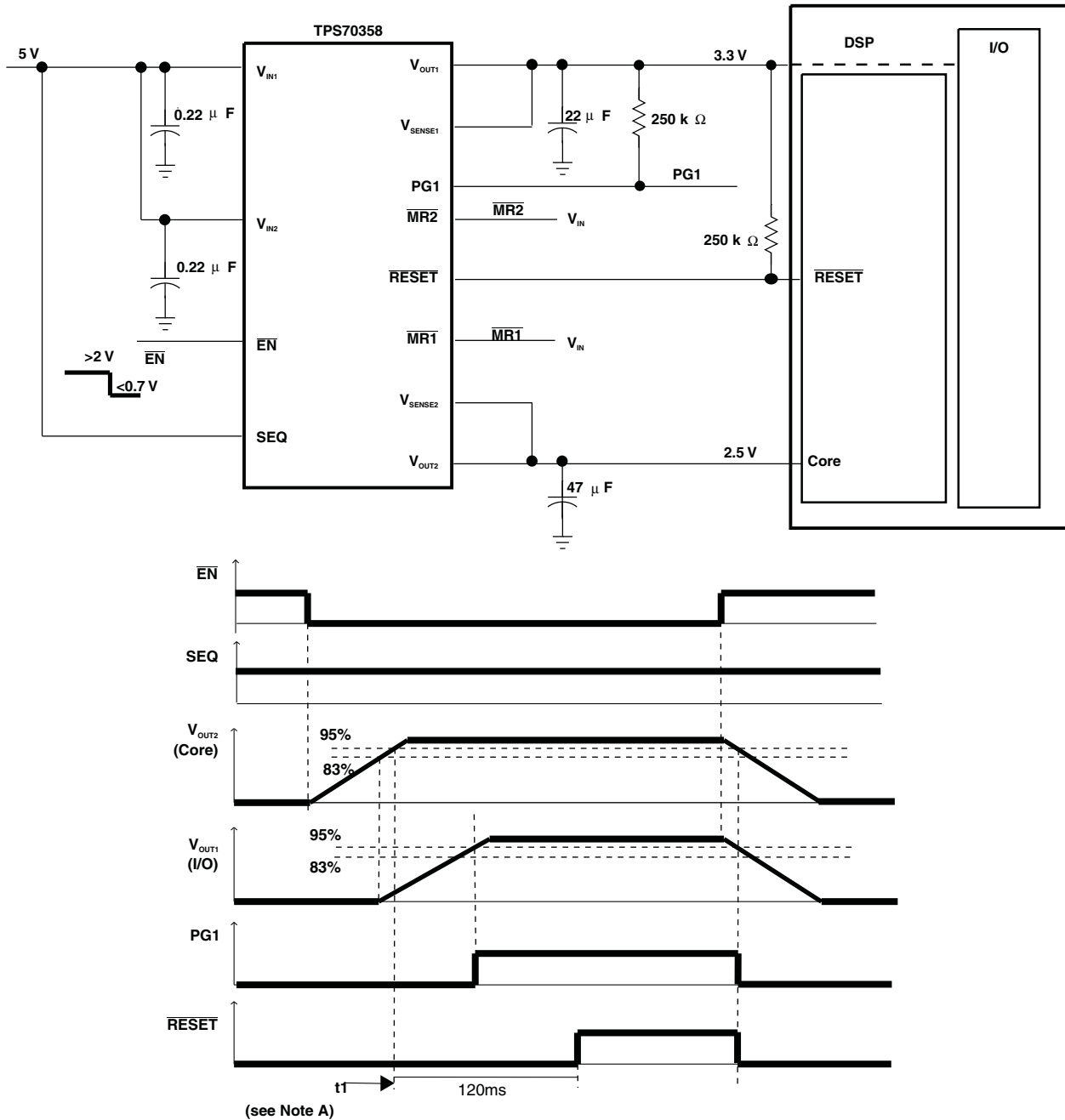
Figure 40 shows a typical application where the TPS70358 is powering up a DSP. In this application, by grounding the SEQ pin,  $V_{OUT1}$ (I/O) is powered up first, and then  $V_{OUT2}$ (core).



NOTE A:  $t_1$  - Time at which both  $V_{OUT1}$  and  $V_{OUT2}$  are greater than the PG1 thresholds and  $\overline{MR1}$  is logic high.

Figure 40. Application Timing Diagram (SEQ = Low)

Figure 41 shows a typical application where the TPS70358 is powering up a DSP. In this application, by pulling up the SEQ pin,  $V_{OUT2}$ (Core) is powered up first, and then  $V_{OUT1}$ (I/O).



NOTE A:  $t_1$  - Time at which both  $V_{OUT1}$  and  $V_{OUT2}$  are greater than the PG1 thresholds and  $\overline{MR1}$  is logic high.

Figure 41. Application Timing Diagram (SEQ = High)

### Input Capacitor

For a typical application, a ceramic input bypass capacitor (0.22  $\mu$ F – 1  $\mu$ F) is recommended to ensure device stability. This capacitor should be as close as possible to the input pin. Due to the impedance of the input supply, large transient currents causes the input voltage to droop. If this droop causes the input voltage to drop below

the UVLO threshold, the device turns off. Therefore, it is recommended that a larger capacitor be placed in parallel with the ceramic bypass capacitor at the regulator's input. The size of this capacitor depends on the output current, response time of the main power supply, and the main power supply's distance to the regulator. At a minimum, the capacitor should be sized to ensure that the input voltage does not drop below the minimum UVLO threshold voltage during normal operating conditions.

### Output Capacitor

As with most LDO regulators, the TPS70358 requires an output capacitor connected between each OUT and GND to stabilize the internal control loop. The minimum recommended capacitance value for  $V_{OUT1}$  is 22  $\mu\text{F}$  and the ESR (equivalent series resistance) must be between 50 m $\Omega$  and 800 m $\Omega$ . The minimum recommended capacitance value for  $V_{OUT2}$  is 47  $\mu\text{F}$  and the ESR must be between 50 m $\Omega$  and 2  $\Omega$ . Solid tantalum electrolytic, aluminum electrolytic, and multilayer ceramic capacitors are all suitable, provided they meet the requirements described above. Larger capacitors provide a wider range of stability and better load transient response. Below is a partial listing of surface-mount capacitors usable with the TPS703xx for fast transient response application.

This information, along with the ESR graphs, is included to assist in selection of suitable capacitance for the user's application. When necessary to achieve low height requirements along with high output current and/or high load capacitance, several higher ESR capacitors can be used in parallel to meet the guidelines above.

VALUE	MANUFACTURER	PART NO.
680 $\mu\text{F}$	Kemet	T510X6871004AS
470 $\mu\text{F}$	Sanyo	4TPB470M
150 $\mu\text{F}$	Sanyo	4TPC150M
220 $\mu\text{F}$	Sanyo	2R5TPC220M
100 $\mu\text{F}$	Sanyo	6TPC100M
68 $\mu\text{F}$	Sanyo	10TPC68M
68 $\mu\text{F}$	Kemet	T495D6861006AS
47 $\mu\text{F}$	Kemet	T495D4761010AS
33 $\mu\text{F}$	Kemet	T495C3361016AS
22 $\mu\text{F}$	Kemet	T495C2261010AS

### Regulator Protection

Both TPS70358 PMOS-pass transistors have built-in back diodes that conduct reverse currents when the input voltage drops below the output voltage (e.g., during power down). Current is conducted from the output to the input and is not internally limited. When extended reverse voltage is anticipated, external limiting may be appropriate.

The TPS70358 also features internal current limiting and thermal protection. During normal operation, the TPS70358 regulator 1 limits output current to approximately 1.75 A (typ) and regulator 2 limits output current to approximately 3.8 A (typ). When current limiting engages, the output voltage scales back linearly until the overcurrent condition ends. While current limiting is designed to prevent gross device failure, care should be taken not to exceed the power dissipation ratings of the package. If the temperature of the device exceeds 150°C(typ), thermal-protection circuitry shuts it down. Once the device has cooled below 130°C(typ), regulator operation resumes.

**PACKAGING INFORMATION**

Orderable Device	Status <sup>(1)</sup>	Package Type	Package Drawing	Pins	Package Qty	Eco Plan <sup>(2)</sup>	Lead/Ball Finish	MSL Peak Temp <sup>(3)</sup>
TPS70358MHKH	ACTIVE	CFP	HKH	20	25	TBD	Call TI	N / A for Pkg Type

<sup>(1)</sup> The marketing status values are defined as follows:

**ACTIVE:** Product device recommended for new designs.

**LIFEBUY:** TI has announced that the device will be discontinued, and a lifetime-buy period is in effect.

**NRND:** Not recommended for new designs. Device is in production to support existing customers, but TI does not recommend using this part in a new design.

**PREVIEW:** Device has been announced but is not in production. Samples may or may not be available.

**OBSOLETE:** TI has discontinued the production of the device.

<sup>(2)</sup> Eco Plan - The planned eco-friendly classification: Pb-Free (RoHS), Pb-Free (RoHS Exempt), or Green (RoHS & no Sb/Br) - please check <http://www.ti.com/productcontent> for the latest availability information and additional product content details.

**TBD:** The Pb-Free/Green conversion plan has not been defined.

**Pb-Free (RoHS):** TI's terms "Lead-Free" or "Pb-Free" mean semiconductor products that are compatible with the current RoHS requirements for all 6 substances, including the requirement that lead not exceed 0.1% by weight in homogeneous materials. Where designed to be soldered at high temperatures, TI Pb-Free products are suitable for use in specified lead-free processes.

**Pb-Free (RoHS Exempt):** This component has a RoHS exemption for either 1) lead-based flip-chip solder bumps used between the die and package, or 2) lead-based die adhesive used between the die and leadframe. The component is otherwise considered Pb-Free (RoHS compatible) as defined above.

**Green (RoHS & no Sb/Br):** TI defines "Green" to mean Pb-Free (RoHS compatible), and free of Bromine (Br) and Antimony (Sb) based flame retardants (Br or Sb do not exceed 0.1% by weight in homogeneous material)

<sup>(3)</sup> MSL, Peak Temp. -- The Moisture Sensitivity Level rating according to the JEDEC industry standard classifications, and peak solder temperature.

**Important Information and Disclaimer:**The information provided on this page represents TI's knowledge and belief as of the date that it is provided. TI bases its knowledge and belief on information provided by third parties, and makes no representation or warranty as to the accuracy of such information. Efforts are underway to better integrate information from third parties. TI has taken and continues to take reasonable steps to provide representative and accurate information but may not have conducted destructive testing or chemical analysis on incoming materials and chemicals. TI and TI suppliers consider certain information to be proprietary, and thus CAS numbers and other limited information may not be available for release.

In no event shall TI's liability arising out of such information exceed the total purchase price of the TI part(s) at issue in this document sold by TI to Customer on an annual basis.

**OTHER QUALIFIED VERSIONS OF TPS70358M :**

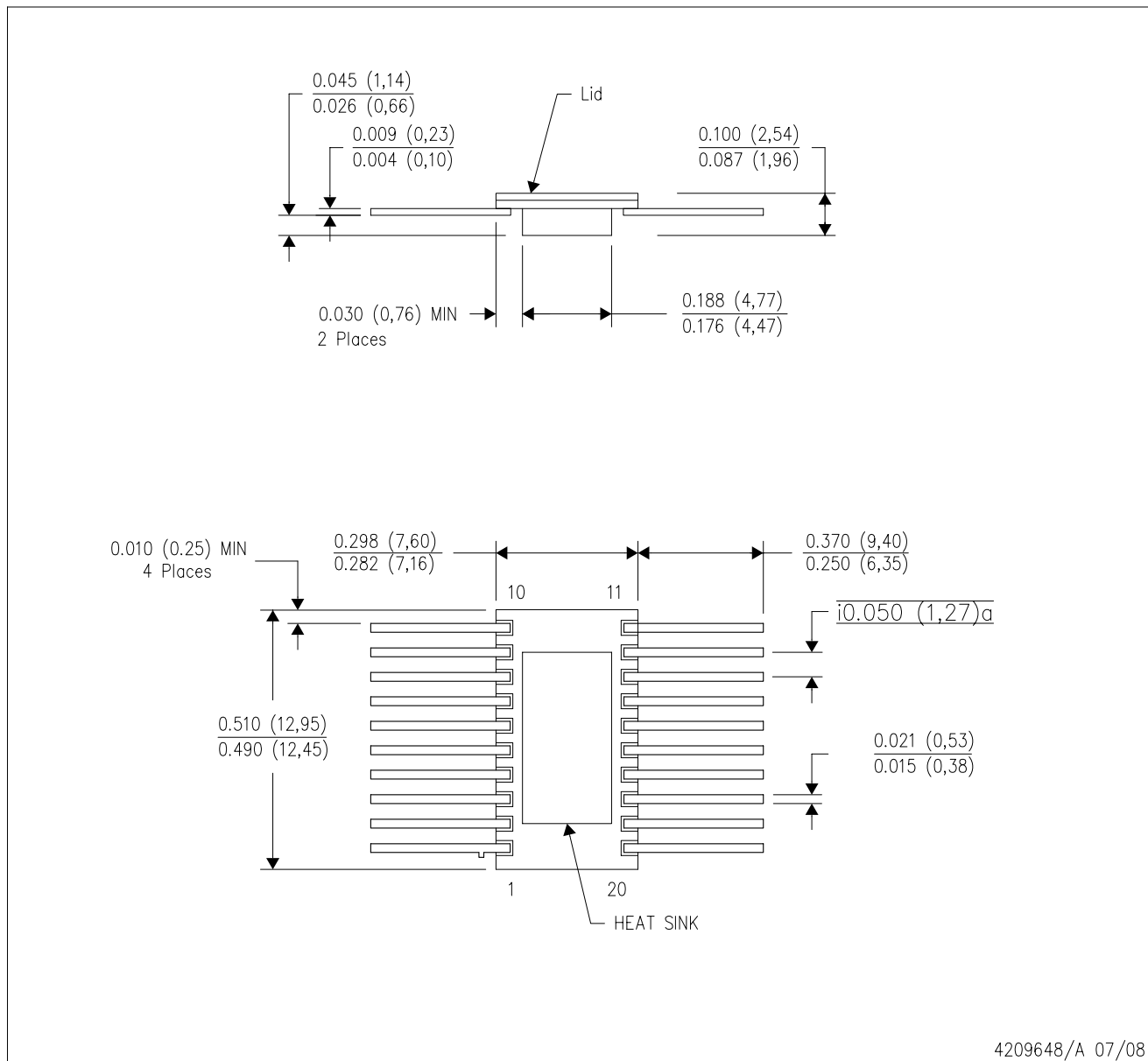
- Catalog: [TPS70358](#)

NOTE: Qualified Version Definitions:

- Catalog - TI's standard catalog product

HKH (R-CDFP-F20)

CERAMIC DUAL FLATPACK



- NOTES:
- All linear dimensions are in inches (millimeters).
  - This drawing is subject to change without notice.
  - This package can be hermetically sealed with a metal lid.
  - The terminals will be gold plated.
  - Falls within MIL STD 1835 CDFP3-F20.

## IMPORTANT NOTICE

Texas Instruments Incorporated and its subsidiaries (TI) reserve the right to make corrections, modifications, enhancements, improvements, and other changes to its products and services at any time and to discontinue any product or service without notice. Customers should obtain the latest relevant information before placing orders and should verify that such information is current and complete. All products are sold subject to TI's terms and conditions of sale supplied at the time of order acknowledgment.

TI warrants performance of its hardware products to the specifications applicable at the time of sale in accordance with TI's standard warranty. Testing and other quality control techniques are used to the extent TI deems necessary to support this warranty. Except where mandated by government requirements, testing of all parameters of each product is not necessarily performed.

TI assumes no liability for applications assistance or customer product design. Customers are responsible for their products and applications using TI components. To minimize the risks associated with customer products and applications, customers should provide adequate design and operating safeguards.

TI does not warrant or represent that any license, either express or implied, is granted under any TI patent right, copyright, mask work right, or other TI intellectual property right relating to any combination, machine, or process in which TI products or services are used. Information published by TI regarding third-party products or services does not constitute a license from TI to use such products or services or a warranty or endorsement thereof. Use of such information may require a license from a third party under the patents or other intellectual property of the third party, or a license from TI under the patents or other intellectual property of TI.

Reproduction of TI information in TI data books or data sheets is permissible only if reproduction is without alteration and is accompanied by all associated warranties, conditions, limitations, and notices. Reproduction of this information with alteration is an unfair and deceptive business practice. TI is not responsible or liable for such altered documentation. Information of third parties may be subject to additional restrictions.

Resale of TI products or services with statements different from or beyond the parameters stated by TI for that product or service voids all express and any implied warranties for the associated TI product or service and is an unfair and deceptive business practice. TI is not responsible or liable for any such statements.

TI products are not authorized for use in safety-critical applications (such as life support) where a failure of the TI product would reasonably be expected to cause severe personal injury or death, unless officers of the parties have executed an agreement specifically governing such use. Buyers represent that they have all necessary expertise in the safety and regulatory ramifications of their applications, and acknowledge and agree that they are solely responsible for all legal, regulatory and safety-related requirements concerning their products and any use of TI products in such safety-critical applications, notwithstanding any applications-related information or support that may be provided by TI. Further, Buyers must fully indemnify TI and its representatives against any damages arising out of the use of TI products in such safety-critical applications.

TI products are neither designed nor intended for use in military/aerospace applications or environments unless the TI products are specifically designated by TI as military-grade or "enhanced plastic." Only products designated by TI as military-grade meet military specifications. Buyers acknowledge and agree that any such use of TI products which TI has not designated as military-grade is solely at the Buyer's risk, and that they are solely responsible for compliance with all legal and regulatory requirements in connection with such use.

TI products are neither designed nor intended for use in automotive applications or environments unless the specific TI products are designated by TI as compliant with ISO/TS 16949 requirements. Buyers acknowledge and agree that, if they use any non-designated products in automotive applications, TI will not be responsible for any failure to meet such requirements.

Following are URLs where you can obtain information on other Texas Instruments products and application solutions:

### Products

Amplifiers	<a href="http://amplifier.ti.com">amplifier.ti.com</a>
Data Converters	<a href="http://dataconverter.ti.com">dataconverter.ti.com</a>
DLP® Products	<a href="http://www.dlp.com">www.dlp.com</a>
DSP	<a href="http://dsp.ti.com">dsp.ti.com</a>
Clocks and Timers	<a href="http://www.ti.com/clocks">www.ti.com/clocks</a>
Interface	<a href="http://interface.ti.com">interface.ti.com</a>
Logic	<a href="http://logic.ti.com">logic.ti.com</a>
Power Mgmt	<a href="http://power.ti.com">power.ti.com</a>
Microcontrollers	<a href="http://microcontroller.ti.com">microcontroller.ti.com</a>
RFID	<a href="http://www.ti-rfid.com">www.ti-rfid.com</a>
RF/IF and ZigBee® Solutions	<a href="http://www.ti.com/lprf">www.ti.com/lprf</a>

### Applications

Audio	<a href="http://www.ti.com/audio">www.ti.com/audio</a>
Automotive	<a href="http://www.ti.com/automotive">www.ti.com/automotive</a>
Broadband	<a href="http://www.ti.com/broadband">www.ti.com/broadband</a>
Digital Control	<a href="http://www.ti.com/digitalcontrol">www.ti.com/digitalcontrol</a>
Medical	<a href="http://www.ti.com/medical">www.ti.com/medical</a>
Military	<a href="http://www.ti.com/military">www.ti.com/military</a>
Optical Networking	<a href="http://www.ti.com/opticalnetwork">www.ti.com/opticalnetwork</a>
Security	<a href="http://www.ti.com/security">www.ti.com/security</a>
Telephony	<a href="http://www.ti.com/telephony">www.ti.com/telephony</a>
Video & Imaging	<a href="http://www.ti.com/video">www.ti.com/video</a>
Wireless	<a href="http://www.ti.com/wireless">www.ti.com/wireless</a>