

### General Description

The MIC5800/5801 latched drivers are high-voltage, high-current integrated circuits comprised of four or eight CMOS data latches, a bipolar Darlington transistor driver for each latch, and CMOS control circuitry for the common CLEAR, STROBE, and OUTPUT ENABLE functions.

The bipolar/MOS combination provides an extremely low-power latch with maximum interface flexibility. MIC5800 contains four latched drivers; MIC5801 contains eight latched drivers.

Data input rates are greatly improved in these devices. With a 5V supply, they will typically operate at better than 5MHz. With a 12V supply, significantly higher speeds are obtained. The CMOS inputs are compatible with standard CMOS, PMOS, and NMOS circuits. TTL or DTL circuits may require the use of appropriate pull-up resistors. The bipolar outputs are suitable for use with relays, solenoids, stepping motors, LED or incandescent displays, and other high-power loads. Both units have open-collector outputs and integral diodes for inductive load transient suppression. The output transistors are capable of sinking 500mA and will sustain at least 50V in the OFF state. Because of limitations on package power dissipation, the simultaneous operation of all drivers at maximum rated current can only be accomplished by a reduction in duty cycle. Outputs may be paralleled for higher load current capability.

### Features

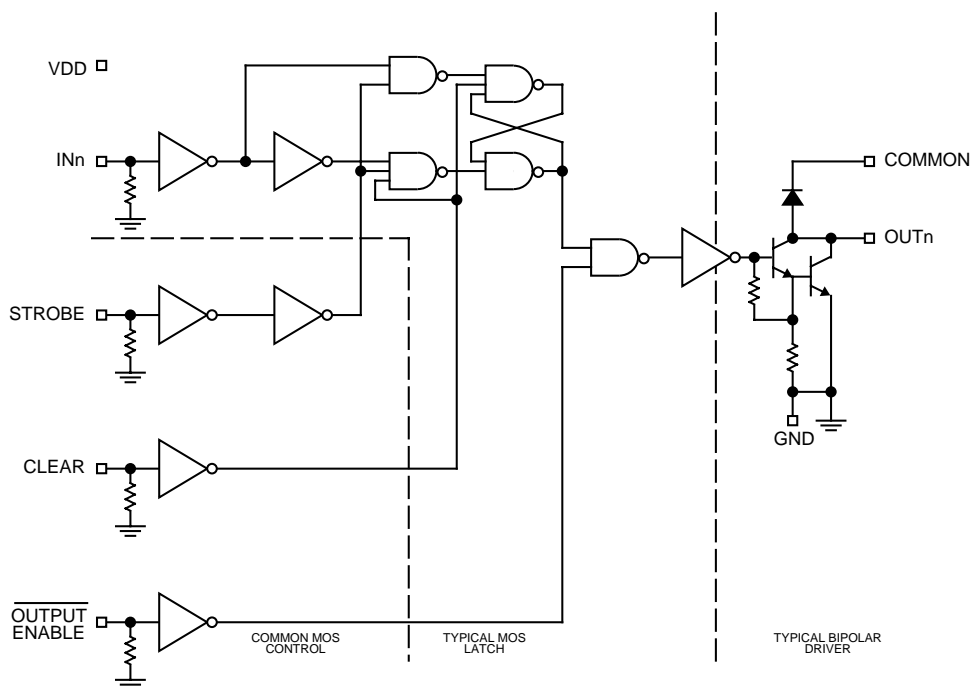
- 4.4MHz Minimum Data Input Rate
- High-Voltage, Current Sink Outputs
- Output Transient Protection
- CMOS, PMOS, NMOS, and TTL Compatible Inputs
- Internal Pull-Down Resistors
- Low-Power CMOS Latches

### Ordering Information

Part Number	Temperature Range	Package
MIC5800BN	- 40°C to + 85°C	14-Pin Plastic DIP
MIC5800BM	- 40°C to + 85°C	14-Pin SOIC
MIC5801BN	- 40°C to +85°C	22-Pin Plastic DIP
5962-8764001WA <sup>1</sup>	- 55°C to +125°C	22-Pin CERDIP
MIC5801BV	- 40°C to + 85°C	28-Pin PLCC
MIC5801BWM	- 40°C to +85°C	24-Pin SOIC

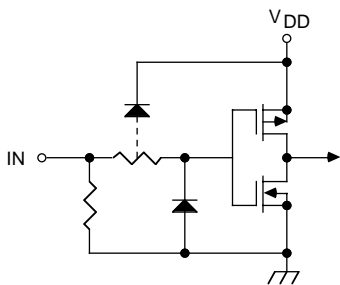
<sup>1</sup> Standard Military Drawing number for MIC5801AJBQ

### Functional Diagram



## Typical Input

[查询“MIC5800BN”供应商](#)



## Absolute Maximum Ratings: (Notes 1–6)

at +25°C Free-Air Temperature

Output Voltage, $V_{CE}$	50V
Supply Voltage, $V_{DD}$	15V
Input Voltage Range, $V_{IN}$	-0.3V to $V_{DD} + 0.3V$
Continuous Collector Current, $I_C$	500mA
Package Power Dissipation:	
MIC5800 Plastic DIP (Note 1)	2.1W
MIC5801 Plastic DIP (Note 2)	2.5W
MIC5800 SOIC (Note 3)	1.0W
MIC5801 PLCC (Note 4)	2.25W
MIC5801 CERDIP (Note 5)	3.1W
Operating Temperature Range, $T_A$	-40°C to +85°C
Storage Temperature Range, $T_S$	-65°C to +125°C

Note 1: Derate at 16.7 mW/°C above  $T_A = +25^\circ\text{C}$

Note 2: Derate at 20 mW/°C above  $T_A = +25^\circ\text{C}$

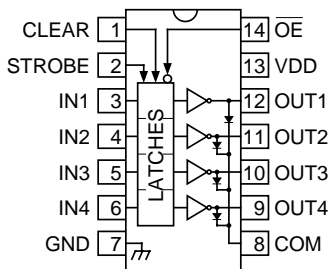
Note 3: Derate at 8.5 mW/°C above  $T_A = +25^\circ\text{C}$

Note 4: Derate at 18.2 mW/°C above  $T_A = +25^\circ\text{C}$

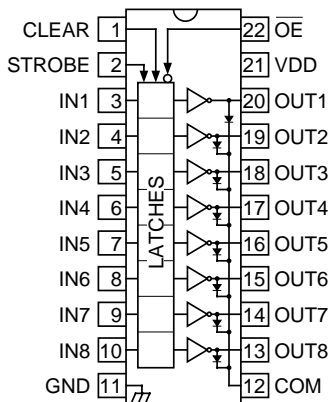
Note 5: Derate at 25 mW/°C above  $T_A = +25^\circ\text{C}$

Note 6: Micrel CMOS devices have input-static protection but are susceptible to damage when exposed to extremely high static electrical charges.

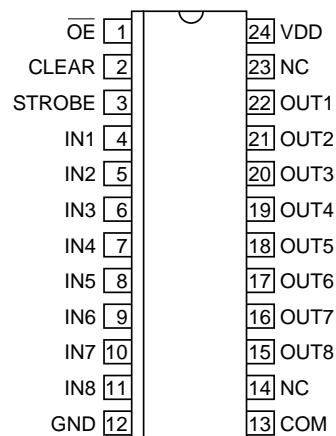
## Pin Configuration



**MIC5800BN, BM**



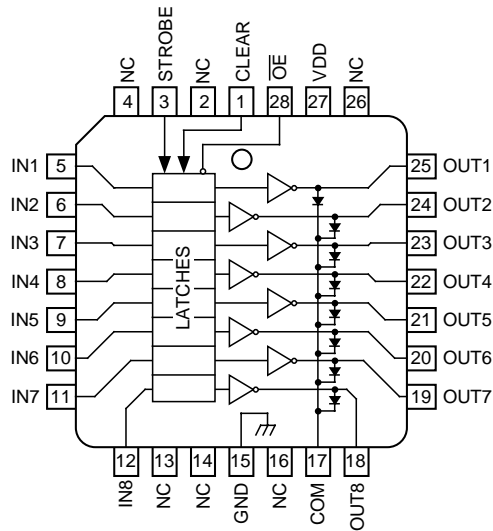
**MIC5801BN, AJBQ**



**MIC5801BWM**

Pin Configurations (continued)

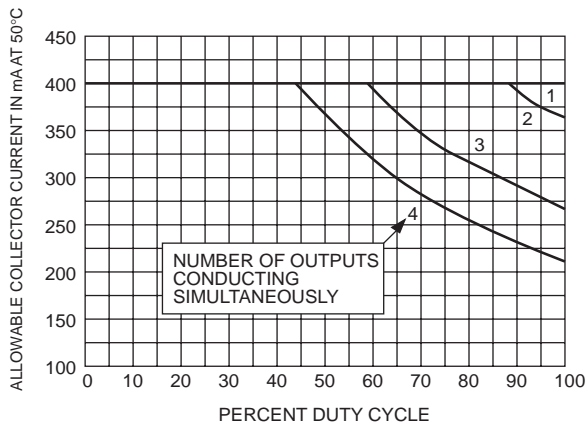
[查询"MIC5800BN"供应商](#)



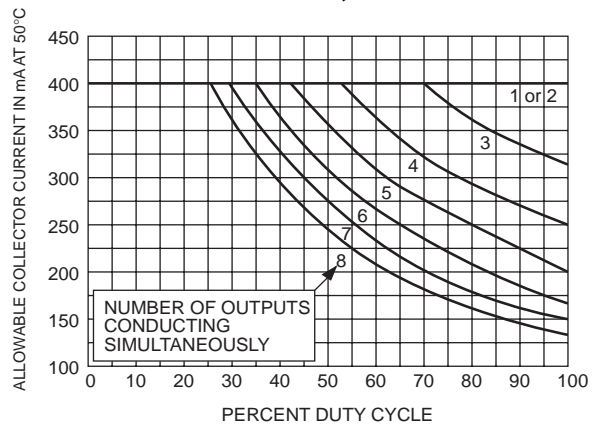
MIC5801BV

Allowable Output Current As A Function of Duty Cycle

MIC5800BN, BM



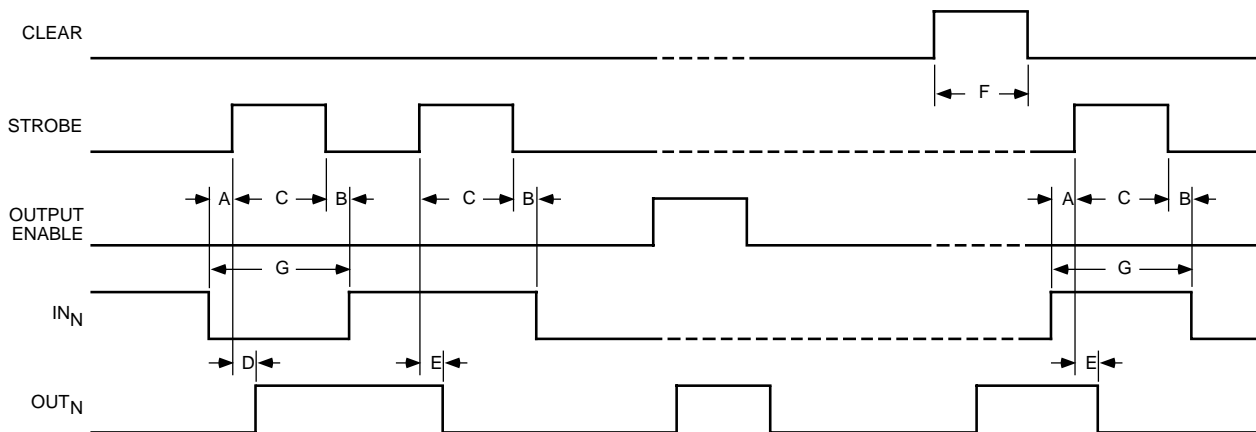
MIC5801BN, AJBQ



**Electrical Characteristics:** at  $T_A = +25^\circ\text{C}$ ,  $V_{DD} = 5\text{V}$  (unless otherwise noted)

Characteristic	Symbol	Test Conditions	Limits			Units
			Min.	Typ.	Max.	
Output Leakage Current	$I_{CEX}$	$V_{CE} = 50\text{ V}, T_A = +25^\circ\text{C}$			50	$\mu\text{A}$
		$V_{CE} = 50\text{ V}, T_A = +70^\circ\text{C}$			100	
Collector-Emitter Saturation Voltage	$V_{CE(SAT)}$	$I_C = 100\text{ mA}$		0.9	1.1	V
		$I_C = 200\text{ mA}$		1.1	1.3	
		$I_C = 350\text{ mA}, V_{DD} = 7.0\text{ V}$		1.3	1.6	
Input Voltage	$V_{IN(0)}$				1.0	V
		$V_{DD} = 12\text{ V}$	10.5			
		$V_{DD} = 10\text{ V}$	8.5			
Input Resistance	$R_{IN}$	$V_{DD} = 12\text{ V}$	50	200		$\text{k}\Omega$
		$V_{DD} = 10\text{ V}$	50	300		
		$V_{DD} = 5.0\text{ V}$	50	600		
Supply Current	$I_{DD(ON)}$ (Each Stage)	$V_{DD} = 12\text{ V}, \text{Outputs Open}$		1.0	2.0	mA
		$V_{DD} = 10\text{ V}, \text{Outputs Open}$		0.9	1.7	
		$V_{DD} = 5.0\text{ V}, \text{Outputs Open}$		0.7	1.0	
	$I_{DD(OFF)}$ (Total)	$V_{DD} = 12\text{ V}, \text{Outputs Open, Inputs} = 0\text{ V}$			200	$\mu\text{A}$
$V_{DD} = 5.0\text{ V}, \text{Outputs Open, Inputs} = 0\text{ V}$			50	100		
Clamp Diode Leakage Current	$I_R$	$V_R = 50\text{ V}, T_A = +25^\circ\text{C}$			50	$\mu\text{A}$
		$V_R = 50\text{ V}, T_A = +70^\circ\text{C}$			100	
Clamp Diode Forward Voltage	$V_F$	$I_F = 350\text{ mA}$		1.7	2.0	V

**NOTE :** Operation of these devices with standard TTL or DTL may require the use of appropriate pull-up resistors to insure a minimum logic "1".



**Timing Conditions**

(Logic Levels are  $V_{DD}$  and Ground)

- A. Minimum data active time before strobe enabled (data set-up time) ..... 50ns
- B. Minimum data active time after strobe disabled (data hold time) ..... 50ns
- C. Minimum strobe pulse width ..... 125ns
- D. Typical time between strobe activation and output on to off transition ..... 500ns
- E. Typical time between strobe activation and output off to on transition ..... 500ns
- F. Minimum clear pulse width ..... 300ns
- G. Minimum data pulse width ..... 225ns

**Truth Table**

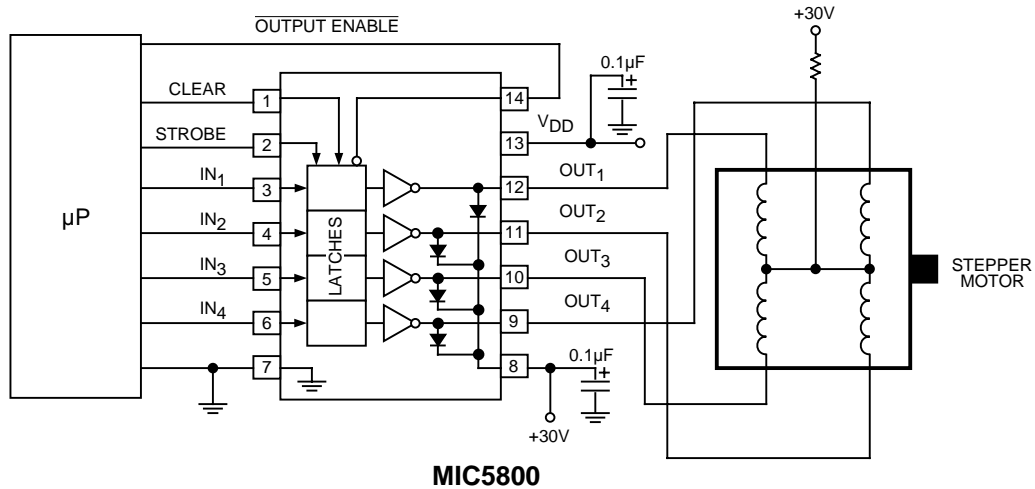
IN <sub>N</sub>	Strobe	Clear	Output Enable	OUT <sub>N</sub>	
				t-1	t
0	1	0	0	X	OFF
1	1	0	0	X	ON
X	X	1	X	X	OFF
X	X	X	1	X	OFF
X	0	0	0	ON	ON
X	0	0	0	OFF	OFF

X = Irrelevant  
 t-1 = previous output state  
 t = present output state

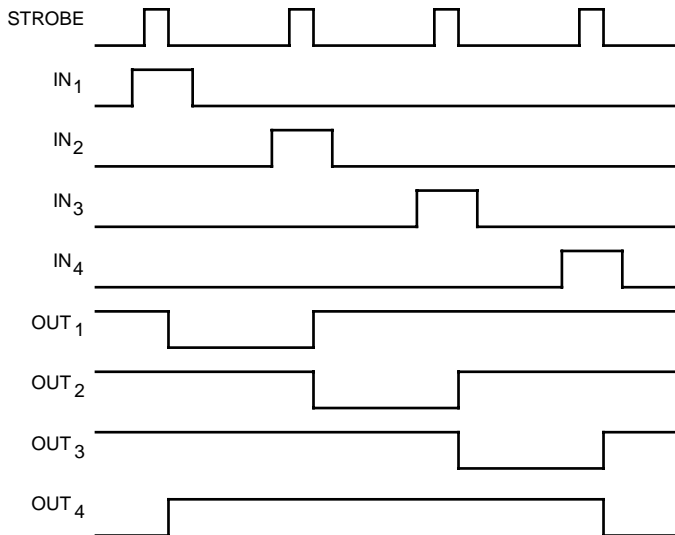
Information present at an input is transferred to its latch when the STROBE is high. A high CLEAR input will set all latches to the output OFF condition regardless of the data or STROBE input levels. A high OUTPUT ENABLE will set all outputs to the off condition, regardless of any other input conditions. When the OUTPUT ENABLE is low, the outputs depend on the state of their respective latches.

**Typical Application**

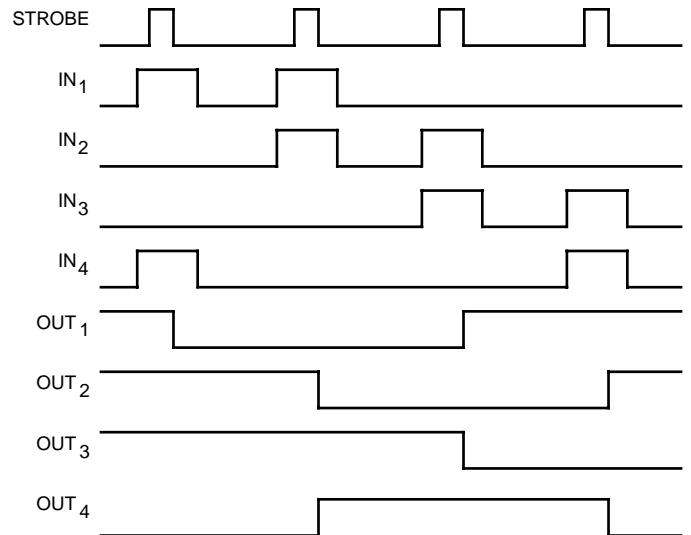
**Unipolar Stepper-Motor Drive**



**UNIPOLAR WAVE DRIVE**

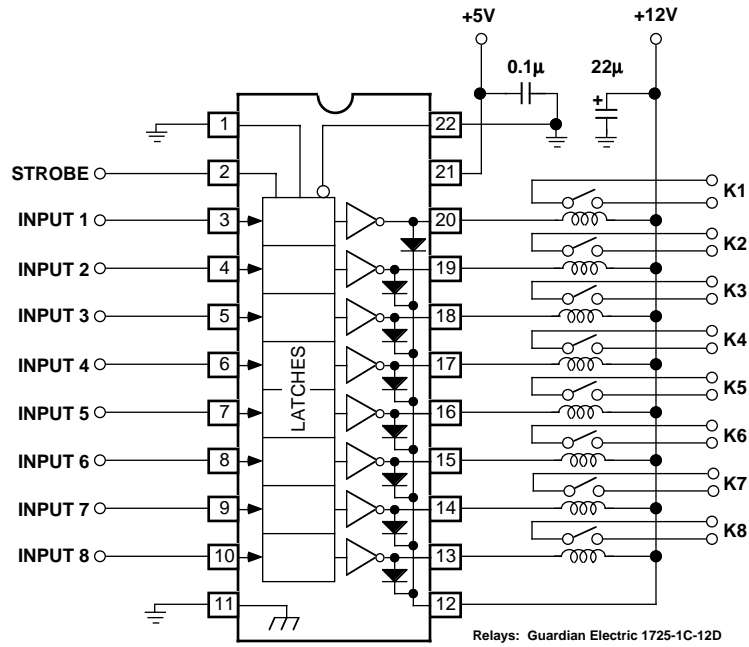


**UNIPOLAR 2-PHASE DRIVE**

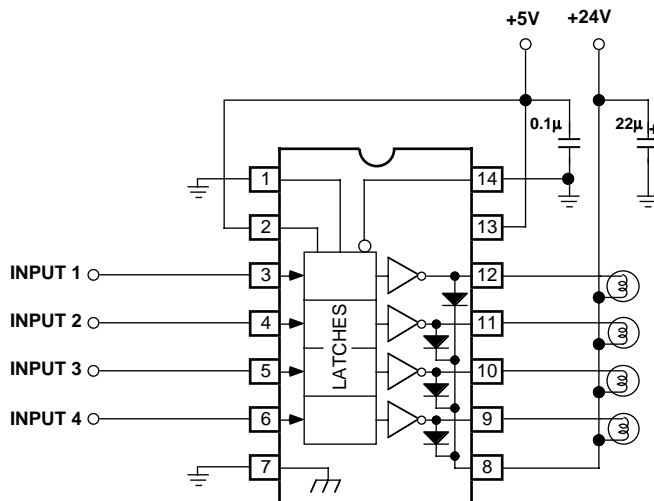


Typical Applications, Continued

[查询"MIC5800BN"供应商](#)



MIC5801 Relay Driver



**Note:**  
Lamp inrush current is approximately 10x lamp operating current.

MIC5800 Incandescent/Halogen Lamp Driver