

SN75ALS162 OCTAL GENERAL-PURPOSE INTERFACE BUS TRANSCEIVER

SLLS020C – JUNE 1986 – REVISED MAY 1995

查询"SN75ALS162"供应商

- Meets IEEE Standard 488-1978 (GPIB)
- 8-Channel Bidirectional Transceiver
- Designed to Implement Control Bus Interface
- Designed for Multicontrollers
- High-Speed Advanced Low-Power Schottky Circuitry
- Low-Power Dissipation . . . 46 mW Max per Channel
- Fast Propagation Times . . . 20 ns Max
- High-Impedance PNP Inputs
- Receiver Hysteresis . . . 650 mV Typ
- Bus-Terminating Resistors Provided on Driver Outputs
- No Loading of Bus When Device Is Powered Down ($V_{CC} = 0$)
- Power-Up/Power-Down Protection (Glitch Free)

description

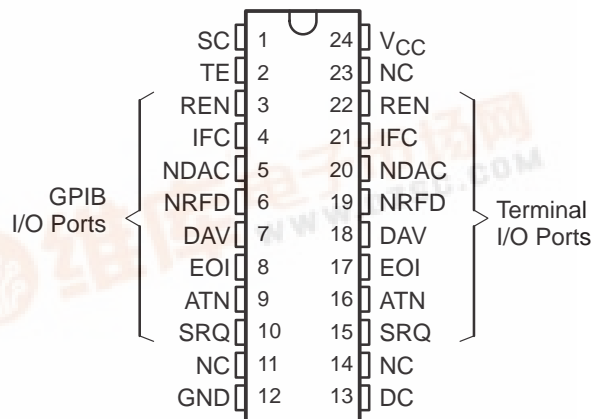
The SN75ALS162 eight-channel general-purpose interface bus (GPIB) transceiver is a monolithic, high-speed, advanced low-power Schottky process device designed to provide the bus-management and data-transfer signals between operating units of a multiple-controller instrumentation system. When combined with the SN75ALS160 octal bus transceiver, the SN75ALS162 provides the complete 16-wire interface for the IEEE 488 bus.

The SN75ALS162 features eight driver-receiver pairs connected in a front-to-back configuration to form input/output (I/O) ports at both the bus and terminal sides. The direction of data through these driver-receiver pairs is determined by the DC, TE, and SC enable signals. The SC input allows the REN and IFC transceivers to be controlled independently.

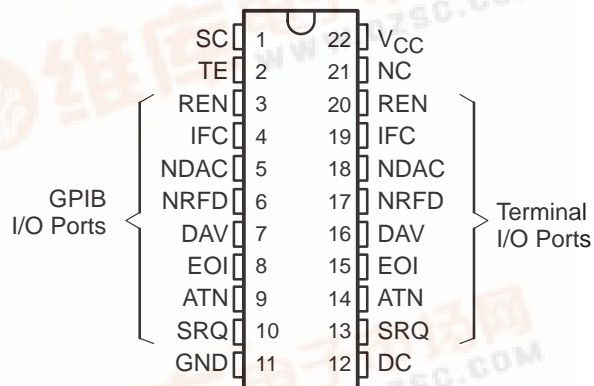
The driver outputs (GPIB I/O ports) feature active bus-terminating resistor circuits designed to provide a high impedance to the bus when $V_{CC} = 0$. The drivers are designed to handle loads up to 48 mA of sink current. Each receiver features pnp transistor inputs for high input impedance and hysteresis of 400 mV minimum for increased noise immunity. All receivers have 3-state outputs to present a high impedance to the terminal when disabled.

The SN75ALS162 is characterized for operation from 0°C to 70°C.

DW PACKAGE
(TOP VIEW)



N PACKAGE
(TOP VIEW)



NC—No internal connection



Please be aware that an important notice concerning availability, standard warranty, and use in critical applications of Texas Instruments semiconductor products and disclaimers thereto appears at the end of this data sheet.

PRODUCTION DATA information is current as of publication date. Products conform to specifications per the terms of Texas Instruments standard warranty. Production processing does not necessarily include testing of all parameters.

TEXAS
INSTRUMENTS

POST OFFICE BOX 655303 • DALLAS, TEXAS 75265

Copyright © 1995, Texas Instruments Incorporated

SN75ALS162 OCTAL GENERAL-PURPOSE INTERFACE BUS TRANSCEIVER

SLLS209C (JUNE 1985) REVISED 5
[查看 SN75ALS162 供应商](#)

RECEIVE/TRANSMIT FUNCTION TABLE

CONTROLS				BUS-MANAGEMENT CHANNELS				DATA-TRANSFER CHANNELS			
SC	DC	TE	ATN†	ATN† (controlled by DC)	SRQ	REN (controlled by SC)	IFC	EOI	DAV	NDAC	NRFD (controlled by TE)
	H	H	H	R	T			T	T	R	R
	H	H	L					R			
	L	L	H	T	R			R	R	T	T
	L	L	L					T			
	H	L	X	R	T			R	T	T	T
	L	H	X	T	R			T	T	R	R
H						T	T				
L						R	R				

H = high level, L = low level, R = receive, T = transmit, X = irrelevant

Direction of data transmission is from the terminal side to the bus side, and the direction of data receiving is from the bus side to the terminal side.

Data transfer is noninverting in both directions.

† ATN is a normal transceiver channel that functions additionally as an internal direction control or talk enable for EOI whenever the DC and TE inputs are in the same state. When DC and TE are in opposite states, the ATN channel functions as an independent transceiver only.

CHANNEL IDENTIFICATION TABLE

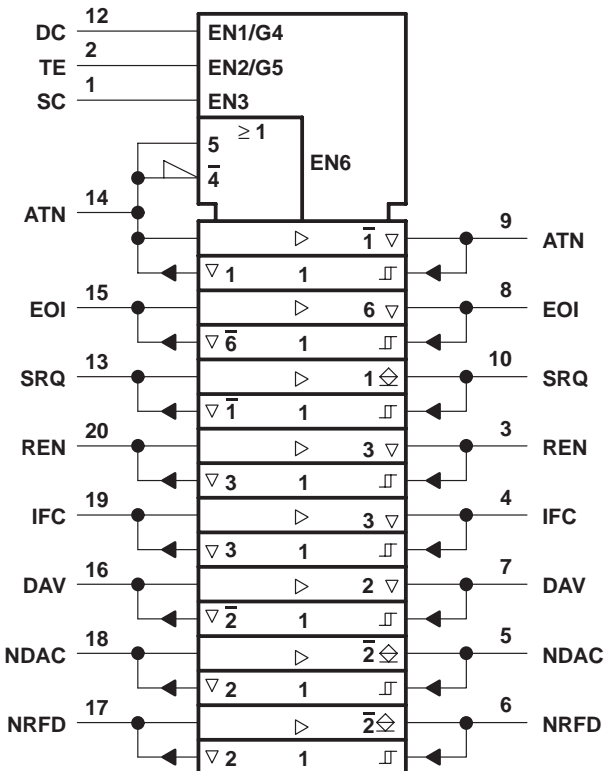
NAME	IDENTITY	CLASS
DC	Direction Control	Control
TE	Talk Enable	
SC	System Control	
ATN	Attention	Bus Management
SRQ	Service Request	
REN	Remote Enable	
IFC	Interface Clear	
EOI	End or Identify	
DAV	Data Valid	Data Transfer
NDAC	No Data Accepted	
NRFD	Not Ready for Data	

SN75ALS162 OCTAL GENERAL-PURPOSE INTERFACE BUS TRANSCEIVER

[查询"SN75ALS162"供应商](#)

SLLS020C – JUNE 1986 – REVISED MAY 1995

logic symbol†



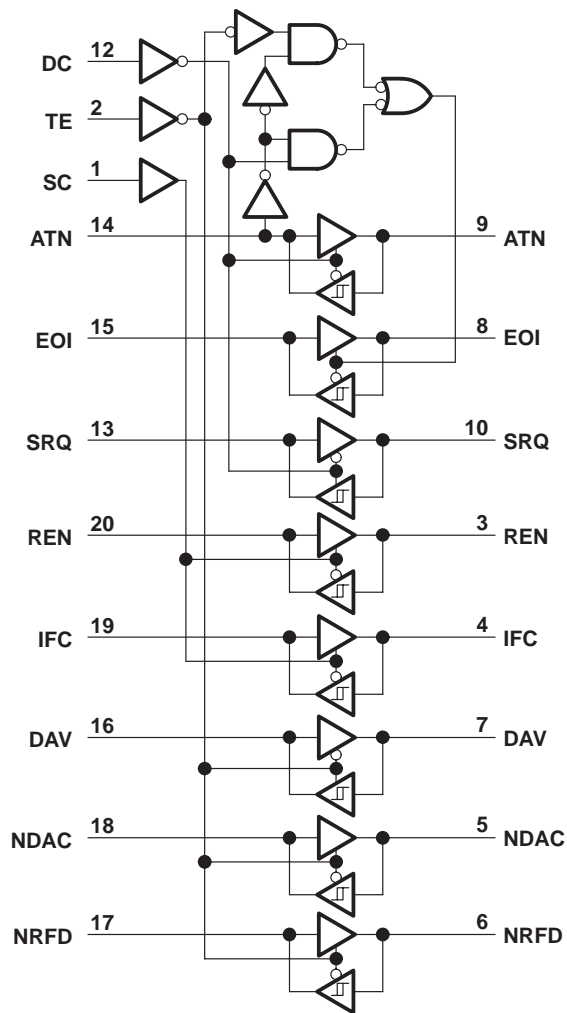
† This symbol is in accordance with ANSI/IEEE Std 91-1984 and IEC Publication 617-12.

∇ Designates 3-state outputs

\boxplus Designates passive-pullup outputs

Pin numbers shown are for the N package.

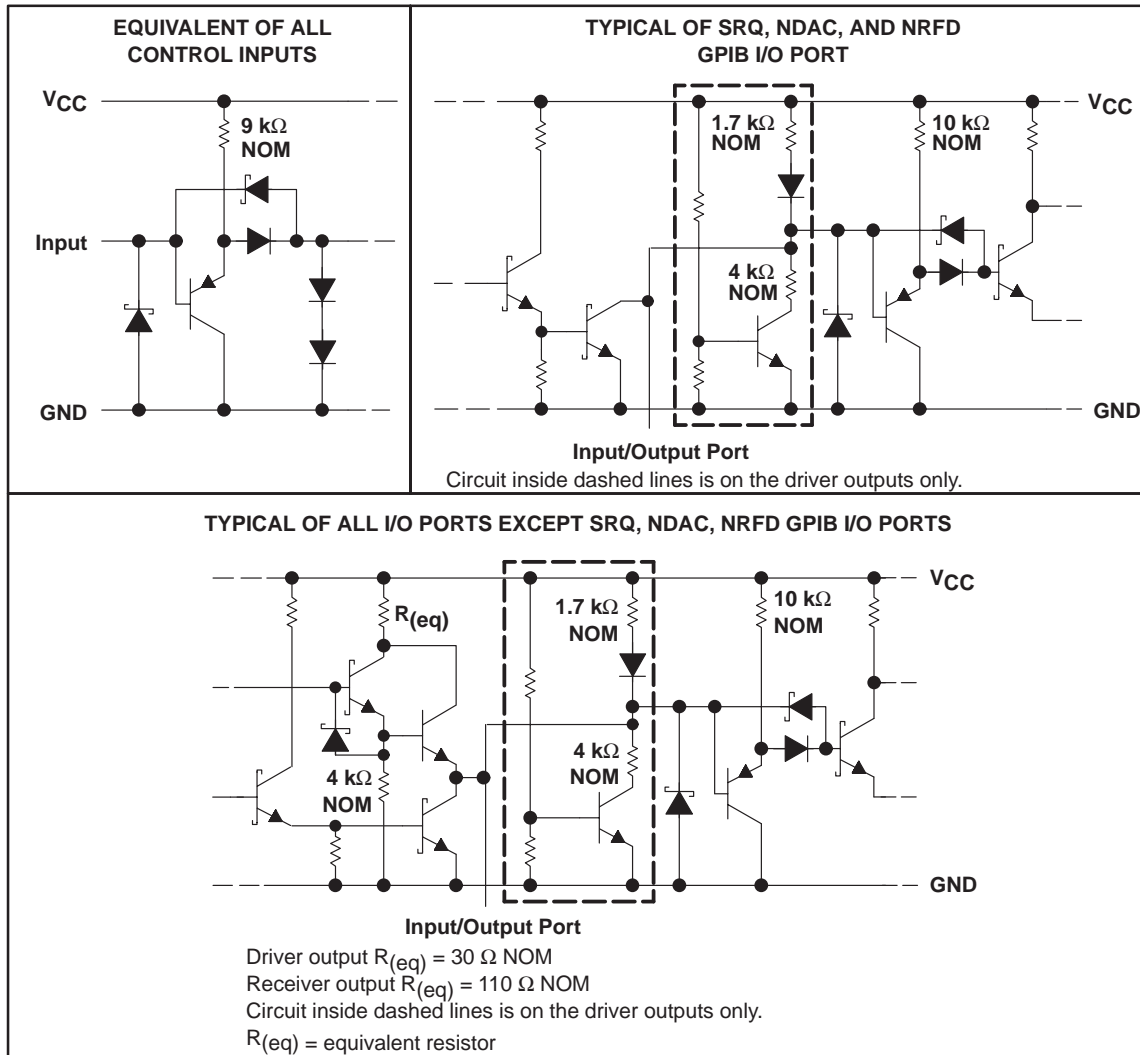
logic diagram (positive logic)



SN75ALS162 OCTAL GENERAL-PURPOSE INTERFACE BUS TRANSCEIVER

SLLS202C UNIFIED REVISED 2005 查询 SN75ALS162 供应商

schematics of inputs and outputs



absolute maximum ratings over operating free-air temperature range (unless otherwise noted)†

Supply voltage, V_{CC} (see Note 1)	7 V
Input voltage, V_I	5.5 V
Low-level driver output current, I_{OL}	100 mA
Continuous total dissipation	See Dissipation Rating Table
Operating free-air temperature range, T_A	0°C to 70°C
Storage temperature range, T_{stg}	-65°C to 150°C
Lead temperature 1,6 mm (1/16 inch) from the case for 10 seconds	260°C

† Stresses beyond those listed under “absolute maximum ratings” may cause permanent damage to the device. These are stress ratings only, and functional operation of the device at these or any other conditions beyond those indicated under “recommended operating conditions” is not implied. Exposure to absolute-maximum-rated conditions for extended periods may affect device reliability.

NOTES: 1. All voltage values are with respect to network ground terminal.

SN75ALS162

OCTAL GENERAL-PURPOSE INTERFACE BUS TRANSCEIVER

[查询"SN75ALS162"供应商](#)

SLLS020C – JUNE 1986 – REVISED MAY 1995

DISSIPATION RATING TABLE

PACKAGE	$T_A \leq 25^\circ\text{C}$ POWER RATING	DERATING FACTOR	$T_A = 70^\circ\text{C}$ POWER RATING
DW	1350 mW	10.8 mW/°C	864 mW
N	1700 mW	13.6 mW/°C	1088 mW

recommended operating conditions

		MIN	NOM	MAX	UNIT
Supply voltage, V_{CC}		4.75	5	5.25	V
High-level input voltage, V_{IH}		2			V
Low level input voltage, V_{IL}				0.8	V
High-level output current, I_{OH}	Bus ports with 3-state outputs			- 5.2	mA
	Terminal ports			- 800	μA
Low-level output current, I_{OL}	Bus ports			48	mA
	Terminal ports			16	mA
Operating free-air temperature, T_A		0		70	°C

electrical characteristics over recommended ranges of supply voltage and operating free-air temperature (unless otherwise noted)

PARAMETER		TEST CONDITIONS		MIN	TYP†	MAX	UNIT	
V_{IK}	Input clamp voltage	$I_I = -18 \text{ mA}$		- 0.8	- 1.5		V	
V_{hys}	Hysteresis voltage ($V_{IT+} - V_{IT-}$)	Bus		0.4	0.65		V	
V_{OH}^\ddagger	High-level output voltage	Terminal	$I_{OH} = -800 \mu\text{A}$	2.7	3.5		V	
		Bus	$I_{OH} = -5.2 \text{ mA}$	2.5	3.3			
V_{OL}	Low-level output voltage	Terminal	$I_{OL} = 16 \text{ mA}$		0.3	0.5	V	
		Bus	$I_{OL} = 48 \text{ mA}$		0.35	0.5		
I_I	Input current at maximum input voltage	Terminal			0.2	100	μA	
I_{IH}	High-level input current	Terminal and control inputs		$V_I = 2.7 \text{ V}$		0.1	20	μA
I_{IL}	Low-level input current			$V_I = 0.5 \text{ V}$		- 10	- 100	μA
$V_{I/O(\text{bus})}$	Voltage at bus port	Driver disabled	$I_I(\text{bus}) = 0$	2.5	3.0	3.7	V	
			$I_I(\text{bus}) = -12 \text{ mA}$			- 1.5		
$I_{I/O(\text{bus})}$	Current into bus port	Power on	Driver disabled	$V_I(\text{bus}) = -1.5 \text{ V to } 0.4 \text{ V}$	- 1.3		mA	
				$V_I(\text{bus}) = 0.4 \text{ V to } 2.5 \text{ V}$	0	- 3.2		
				$V_I(\text{bus}) = 2.5 \text{ V to } 3.7 \text{ V}$		+ 2.5		- 3.2
				$V_I(\text{bus}) = 3.7 \text{ V to } 5 \text{ V}$	0	2.5		
				$V_I(\text{bus}) = 5 \text{ V to } 5.5 \text{ V}$	0.7	2.5		
		Power off	$V_{CC} = 0,$	$V_I(\text{bus}) = 0 \text{ to } 2.5 \text{ V}$		- 40	μA	
I_{OS}	Short-circuit output current	Terminal		- 15	- 35	- 75	mA	
		Bus		- 25	- 50	- 125		
I_{CC}	Supply current	No load, TE, DC, and SC low		55	75		mA	
$C_{I/O(\text{bus})}$	Bus-port capacitance	$V_{CC} = 0 \text{ to } 5 \text{ V}, V_{I/O} = 0 \text{ to } 2 \text{ V}, f = 1 \text{ MHz}$		30			pF	

† All typical values are at $V_{CC} = 5 \text{ V}, T_A = 25^\circ\text{C}$.

‡ V_{OH} applies to 3-state outputs only.



SN75ALS162

OCTAL GENERAL-PURPOSE INTERFACE BUS TRANSCEIVER

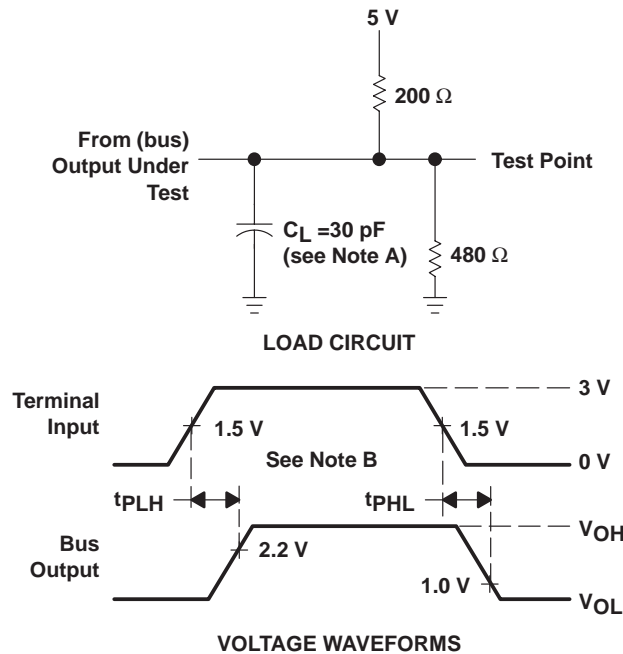
SLLS202C SN75ALS162 REVISED 2005 德州仪器

switching characteristics over recommended range of operating free-air temperature, $V_{CC} = 5\text{ V}$

PARAMETER		FROM (INPUT)	TO (OUTPUT)	TEST CONDITIONS	MIN	TYP†	MAX	UNIT
t_{PLH}	Propagation delay time, low- to high-level output	Terminal	Bus	$C_L = 30\text{ pF}$, See Figure 1	10	20	ns	
t_{PHL}	Propagation delay time, high- to low-level output				12	20		
t_{PLH}	Propagation delay time, low- to high-level output	Bus	Terminal	$C_L = 30\text{ pF}$, See Figure 2	5	10	ns	
t_{PHL}	Propagation delay time, high- to low-level output				7	14		
t_{PZH}	Output enable time to high level	TE, DC, or SC	Bus (ATN, EOI, REN, IFC, and DAV)	$C_L = 15\text{ pF}$, See Figure 3			30	ns
t_{PHZ}	Output disable time from high level						20	
t_{PZL}	Output enable time to low level						45	
t_{PLZ}	Output disable time from low level						20	
t_{PZH}	Output enable time to high level	TE, DC, or SC	Terminal	$C_L = 15\text{ pF}$, See Figure 4			30	ns
t_{PHZ}	Output disable time from high level						25	
t_{PZL}	Output enable time to low level						30	
t_{PLZ}	Output disable time from low level						25	

† All typical values are at $T_A = 25^\circ\text{C}$.

PARAMETER MEASUREMENT INFORMATION

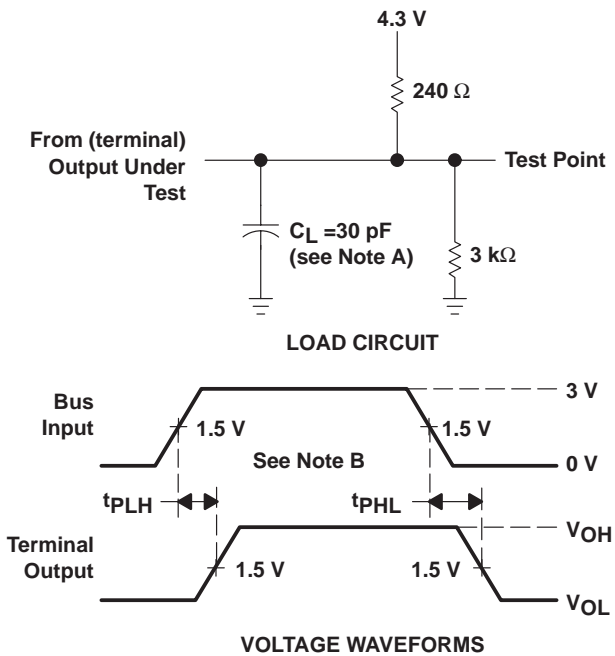


NOTES: A. C_L includes probe and jig capacitance.

B. The input pulse is supplied by a generator having the following characteristics: PRR $\leq 1\text{ MHz}$, 50% duty cycle, $t_r \leq 6\text{ ns}$, $t_f \leq 6\text{ ns}$, $Z_O = 50\ \Omega$.

Figure 1. Terminal-to-Bus Load Circuit and Voltage Waveforms

PARAMETER MEASUREMENT INFORMATION



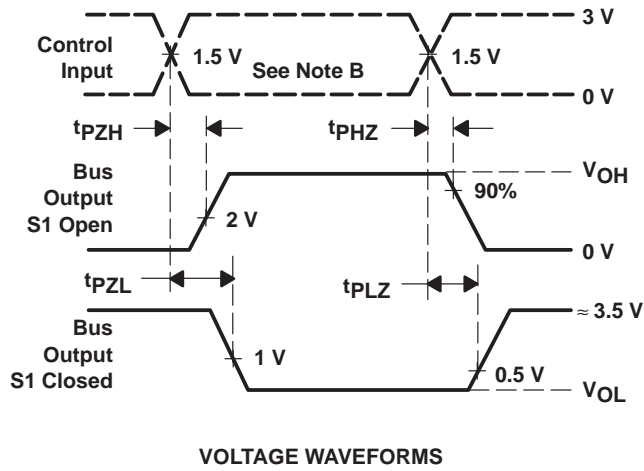
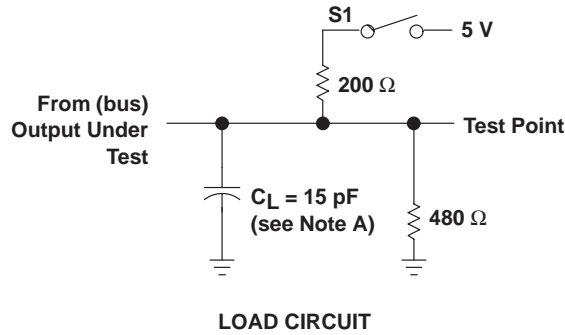
- NOTES: A. C_L includes probe and jig capacitance.
 B. The input pulse is supplied by a generator having the following characteristics: $PRR \leq 1 \text{ MHz}$, 50% duty cycle, $t_r \leq 6 \text{ ns}$, $t_f \leq 6 \text{ ns}$, $Z_O = 50 \Omega$.

Figure 2. Bus-to-Terminal Load Circuit and Voltage Waveforms

SN75ALS162 OCTAL GENERAL-PURPOSE INTERFACE BUS TRANSCEIVER

SLLS220C JUNE 1995 REVISED
[查看 SN75ALS162 供应商](#)

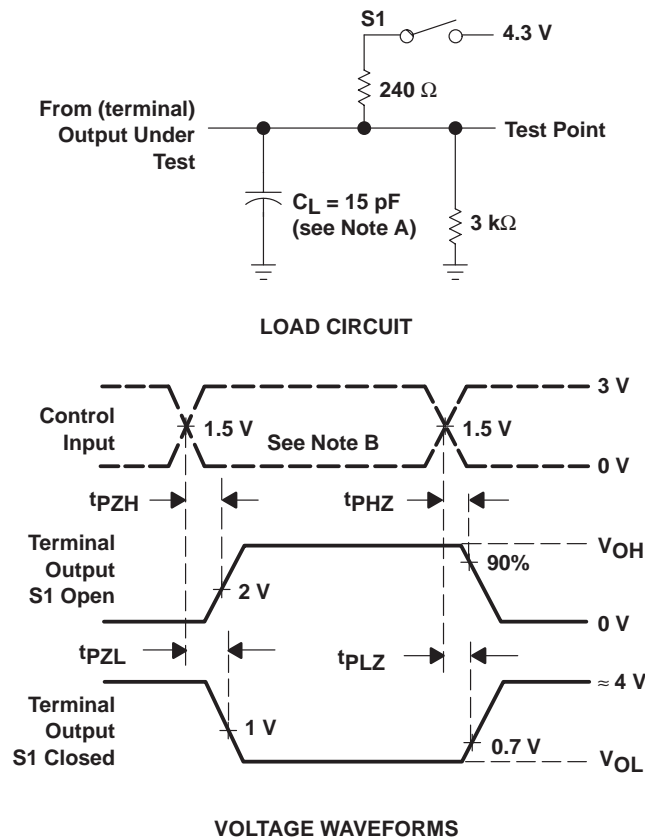
PARAMETER MEASUREMENT INFORMATION



- NOTES: A. C_L includes probe and jig capacitance.
 B. The input pulse is supplied by a generator having the following characteristics: $PRR \leq 1$ MHz, 50% duty cycle, $t_r \leq 6$ ns, $t_f \leq 6$ ns, $Z_O = 50 \Omega$.

Figure 3. Bus Load Circuit and Voltage Waveforms

PARAMETER MEASUREMENT INFORMATION



- NOTES: A. C_L includes probe and jig capacitance.
 B. The input pulse is supplied by a generator having the following characteristics: $PRR \leq 1$ MHz, 50% duty cycle, $t_r \leq 6$ ns, $t_f \leq 6$ ns, $Z_O = 50 \Omega$.

Figure 4. Terminal Load Circuit and Voltage Waveforms

SN75ALS162

OCTAL GENERAL-PURPOSE INTERFACE BUS TRANSCEIVER

SLLS202C – JUNE 1995 – REVISED 2005
 德州仪器 (TI) 提供

TYPICAL CHARACTERISTICS

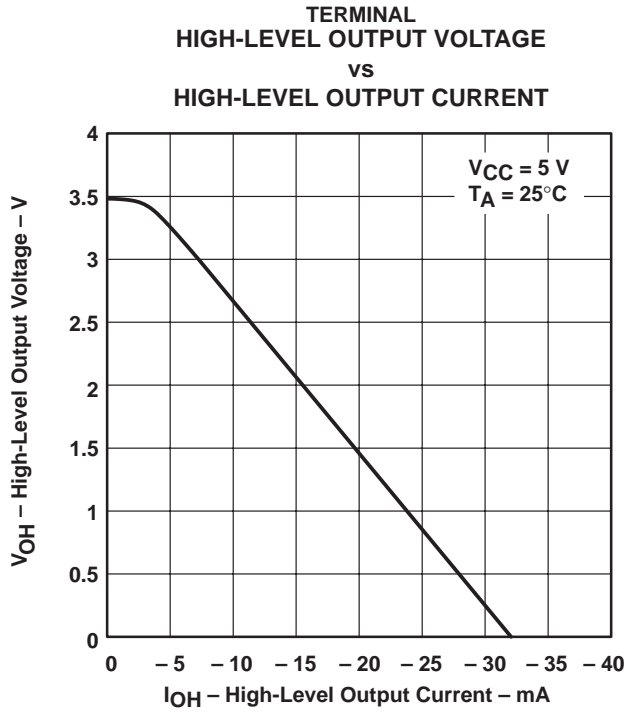


Figure 5

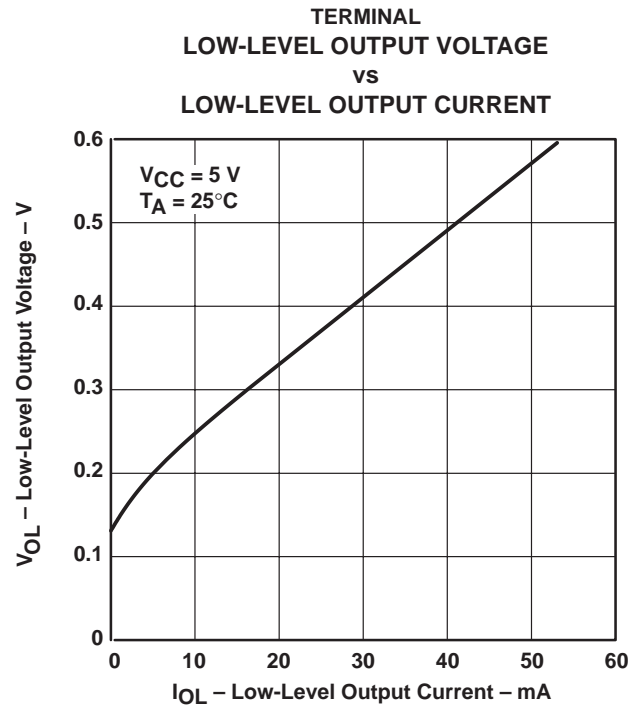


Figure 6

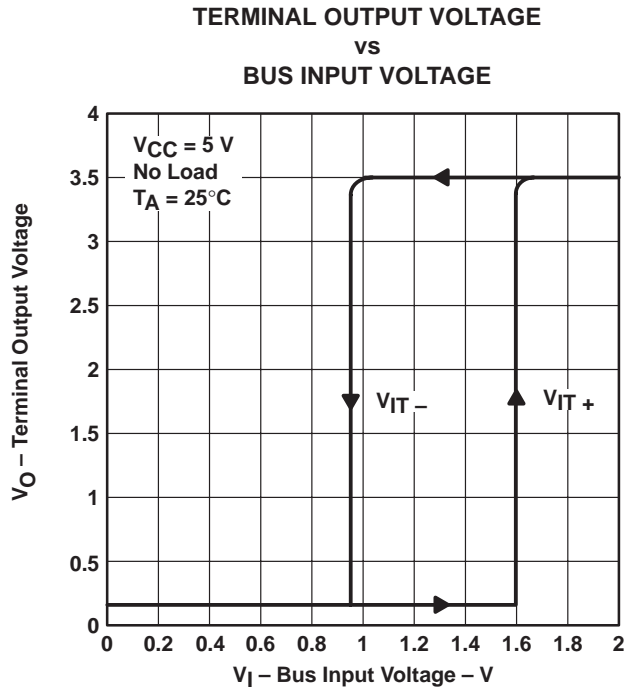


Figure 7



TYPICAL CHARACTERISTICS

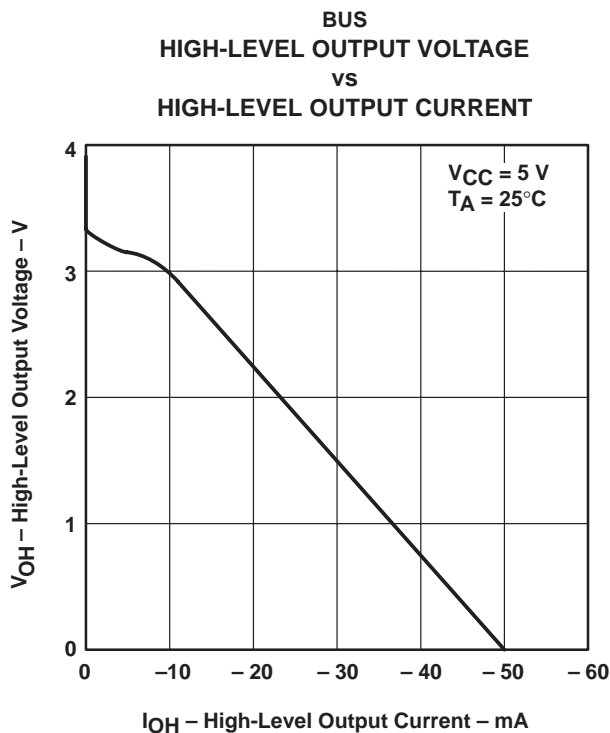


Figure 8

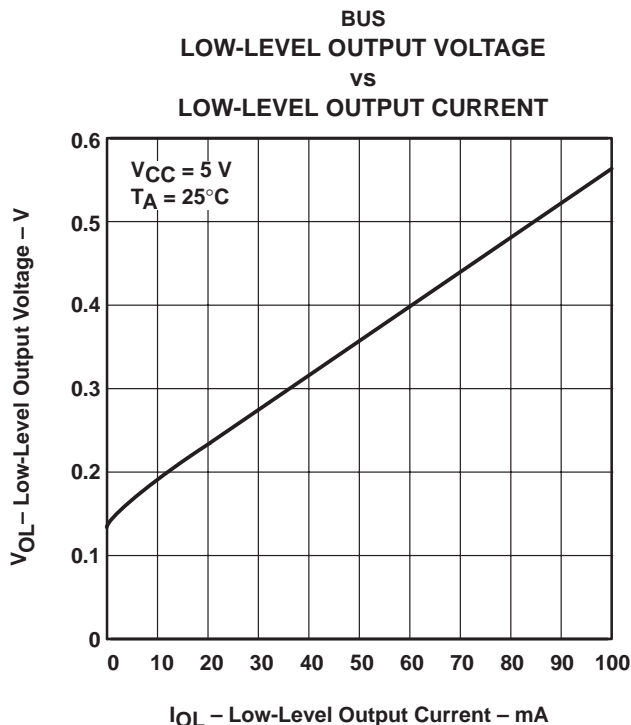


Figure 9

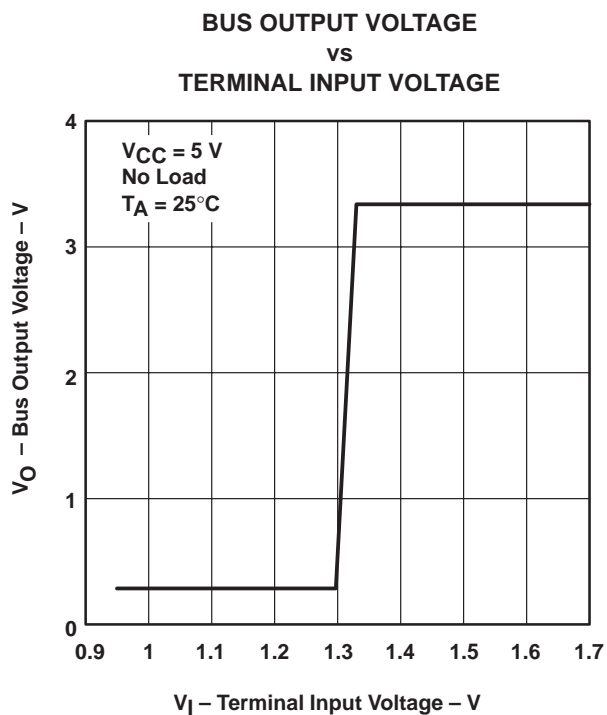


Figure 10

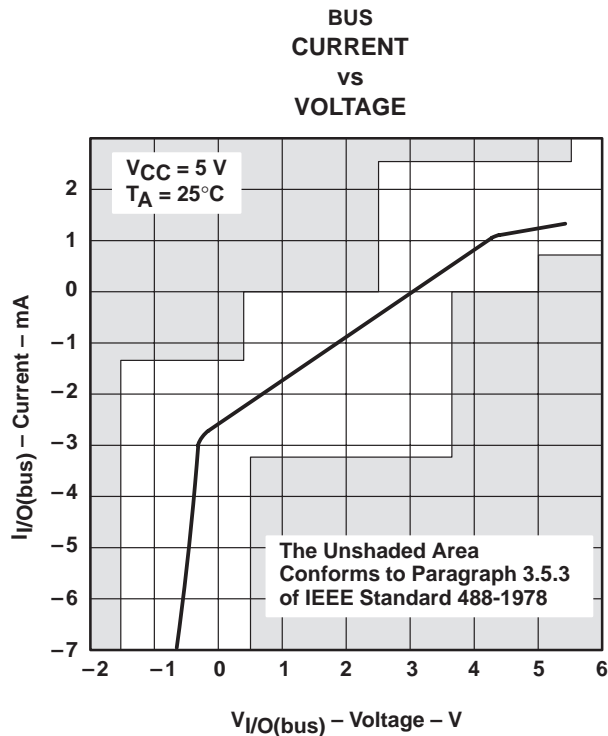


Figure 11

PACKAGING INFORMATION

Orderable Device	Status ⁽¹⁾	Package Type	Package Drawing	Pins	Package Qty	Eco Plan ⁽²⁾	Lead/Ball Finish	MSL Peak Temp ⁽³⁾
SN75ALS162DW	ACTIVE	SOIC	DW	24	25	Green (RoHS & no Sb/Br)	CU NIPDAU	Level-1-260C-UNLIM
SN75ALS162DWE4	ACTIVE	SOIC	DW	24	25	Green (RoHS & no Sb/Br)	CU NIPDAU	Level-1-260C-UNLIM
SN75ALS162DWG4	ACTIVE	SOIC	DW	24	25	Green (RoHS & no Sb/Br)	CU NIPDAU	Level-1-260C-UNLIM
SN75ALS162DWR	ACTIVE	SOIC	DW	24	2000	Green (RoHS & no Sb/Br)	CU NIPDAU	Level-1-260C-UNLIM
SN75ALS162DWRE4	ACTIVE	SOIC	DW	24	2000	Green (RoHS & no Sb/Br)	CU NIPDAU	Level-1-260C-UNLIM
SN75ALS162DWRG4	ACTIVE	SOIC	DW	24	2000	Green (RoHS & no Sb/Br)	CU NIPDAU	Level-1-260C-UNLIM
SN75ALS162N	OBSOLETE	PDIP	N	22		TBD	Call TI	Call TI

⁽¹⁾ The marketing status values are defined as follows:

ACTIVE: Product device recommended for new designs.

LIFEBUY: TI has announced that the device will be discontinued, and a lifetime-buy period is in effect.

NRND: Not recommended for new designs. Device is in production to support existing customers, but TI does not recommend using this part in a new design.

PREVIEW: Device has been announced but is not in production. Samples may or may not be available.

OBSOLETE: TI has discontinued the production of the device.

⁽²⁾ Eco Plan - The planned eco-friendly classification: Pb-Free (RoHS), Pb-Free (RoHS Exempt), or Green (RoHS & no Sb/Br) - please check <http://www.ti.com/productcontent> for the latest availability information and additional product content details.

TBD: The Pb-Free/Green conversion plan has not been defined.

Pb-Free (RoHS): TI's terms "Lead-Free" or "Pb-Free" mean semiconductor products that are compatible with the current RoHS requirements for all 6 substances, including the requirement that lead not exceed 0.1% by weight in homogeneous materials. Where designed to be soldered at high temperatures, TI Pb-Free products are suitable for use in specified lead-free processes.

Pb-Free (RoHS Exempt): This component has a RoHS exemption for either 1) lead-based flip-chip solder bumps used between the die and package, or 2) lead-based die adhesive used between the die and leadframe. The component is otherwise considered Pb-Free (RoHS compatible) as defined above.

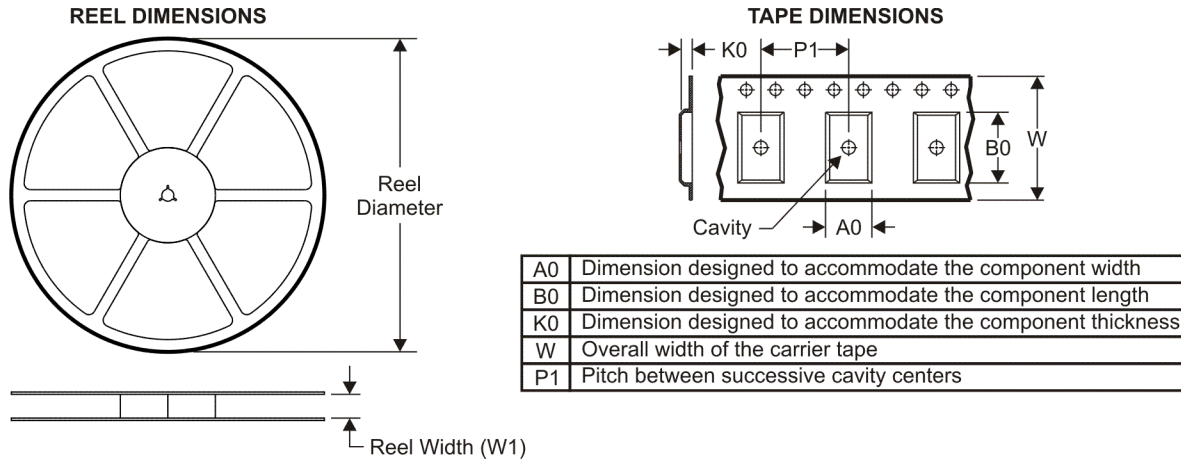
Green (RoHS & no Sb/Br): TI defines "Green" to mean Pb-Free (RoHS compatible), and free of Bromine (Br) and Antimony (Sb) based flame retardants (Br or Sb do not exceed 0.1% by weight in homogeneous material)

⁽³⁾ MSL, Peak Temp. -- The Moisture Sensitivity Level rating according to the JEDEC industry standard classifications, and peak solder temperature.

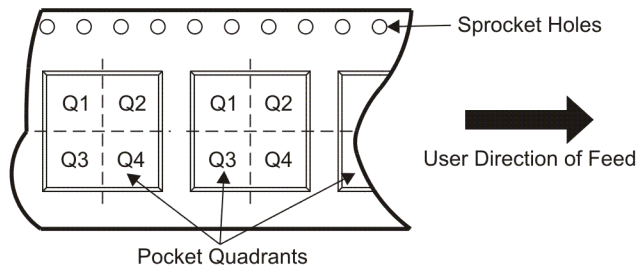
Important Information and Disclaimer:The information provided on this page represents TI's knowledge and belief as of the date that it is provided. TI bases its knowledge and belief on information provided by third parties, and makes no representation or warranty as to the accuracy of such information. Efforts are underway to better integrate information from third parties. TI has taken and continues to take reasonable steps to provide representative and accurate information but may not have conducted destructive testing or chemical analysis on incoming materials and chemicals. TI and TI suppliers consider certain information to be proprietary, and thus CAS numbers and other limited information may not be available for release.

In no event shall TI's liability arising out of such information exceed the total purchase price of the TI part(s) at issue in this document sold by TI to Customer on an annual basis.

TAPE AND REEL INFORMATION



QUADRANT ASSIGNMENTS FOR PIN 1 ORIENTATION IN TAPE



*All dimensions are nominal

Device	Package Type	Package Drawing	Pins	SPQ	Reel Diameter (mm)	Reel Width W1 (mm)	A0 (mm)	B0 (mm)	K0 (mm)	P1 (mm)	W (mm)	Pin1 Quadrant
SN75ALS162DWR	SOIC	DW	24	2000	330.0	24.4	10.85	15.8	2.7	12.0	24.0	Q1

TAPE AND REEL BOX DIMENSIONS

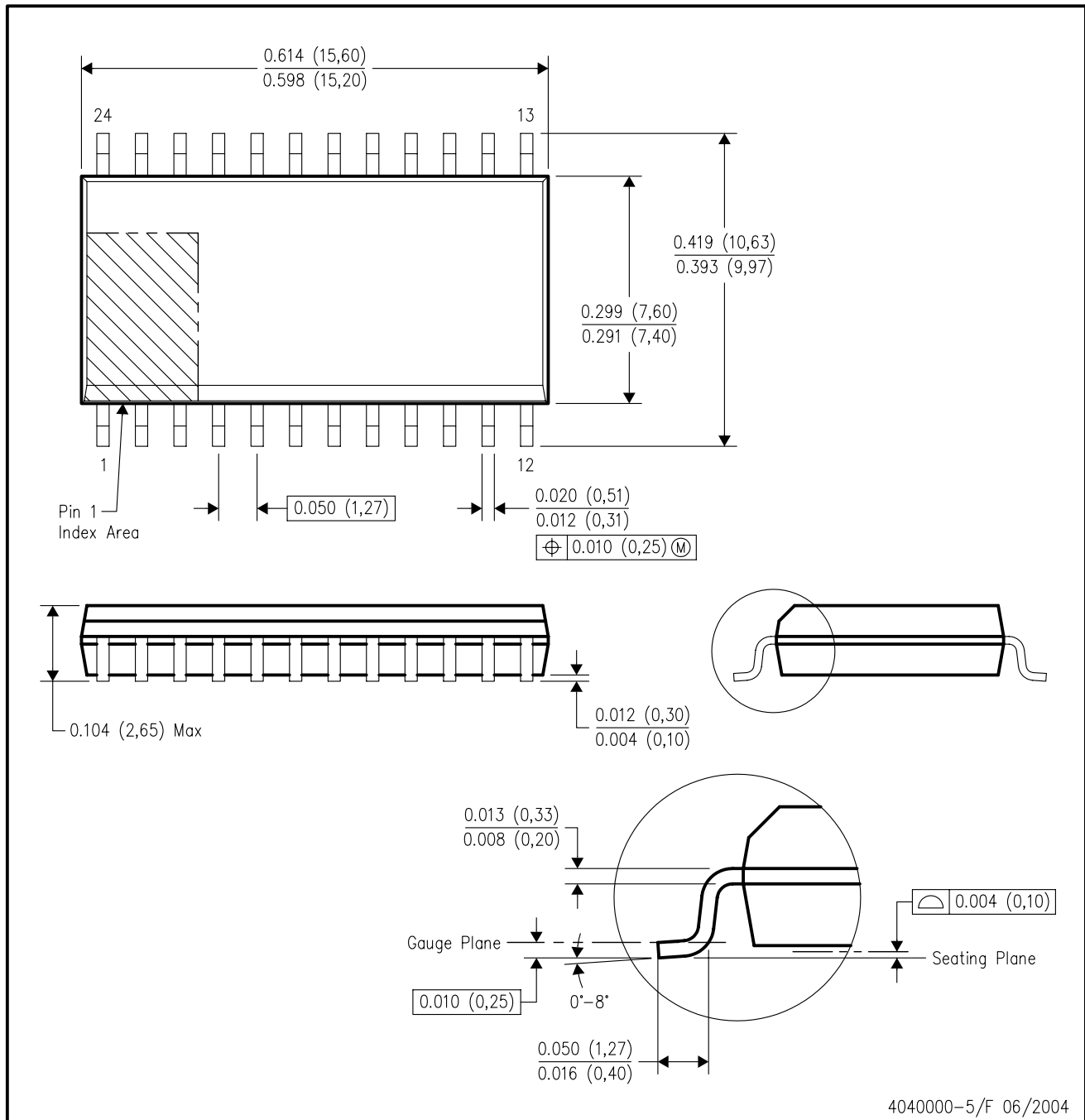


*All dimensions are nominal

Device	Package Type	Package Drawing	Pins	SPQ	Length (mm)	Width (mm)	Height (mm)
SN75ALS162DWR	SOIC	DW	24	2000	346.0	346.0	41.0

DW (R-PDSO-G24)

PLASTIC SMALL-OUTLINE PACKAGE



- NOTES:
- A. All linear dimensions are in inches (millimeters).
 - B. This drawing is subject to change without notice.
 - C. Body dimensions do not include mold flash or protrusion not to exceed 0.006 (0,15).
 - D. Falls within JEDEC MS-013 variation AD.

IMPORTANT NOTICE

Texas Instruments Incorporated and its subsidiaries (TI) reserve the right to make corrections, modifications, enhancements, improvements, and other changes to its products and services at any time and to discontinue any product or service without notice. Customers should obtain the latest relevant information before placing orders and should verify that such information is current and complete. All products are sold subject to TI's terms and conditions of sale supplied at the time of order acknowledgment.

TI warrants performance of its hardware products to the specifications applicable at the time of sale in accordance with TI's standard warranty. Testing and other quality control techniques are used to the extent TI deems necessary to support this warranty. Except where mandated by government requirements, testing of all parameters of each product is not necessarily performed.

TI assumes no liability for applications assistance or customer product design. Customers are responsible for their products and applications using TI components. To minimize the risks associated with customer products and applications, customers should provide adequate design and operating safeguards.

TI does not warrant or represent that any license, either express or implied, is granted under any TI patent right, copyright, mask work right, or other TI intellectual property right relating to any combination, machine, or process in which TI products or services are used. Information published by TI regarding third-party products or services does not constitute a license from TI to use such products or services or a warranty or endorsement thereof. Use of such information may require a license from a third party under the patents or other intellectual property of the third party, or a license from TI under the patents or other intellectual property of TI.

Reproduction of TI information in TI data books or data sheets is permissible only if reproduction is without alteration and is accompanied by all associated warranties, conditions, limitations, and notices. Reproduction of this information with alteration is an unfair and deceptive business practice. TI is not responsible or liable for such altered documentation. Information of third parties may be subject to additional restrictions.

Resale of TI products or services with statements different from or beyond the parameters stated by TI for that product or service voids all express and any implied warranties for the associated TI product or service and is an unfair and deceptive business practice. TI is not responsible or liable for any such statements.

TI products are not authorized for use in safety-critical applications (such as life support) where a failure of the TI product would reasonably be expected to cause severe personal injury or death, unless officers of the parties have executed an agreement specifically governing such use. Buyers represent that they have all necessary expertise in the safety and regulatory ramifications of their applications, and acknowledge and agree that they are solely responsible for all legal, regulatory and safety-related requirements concerning their products and any use of TI products in such safety-critical applications, notwithstanding any applications-related information or support that may be provided by TI. Further, Buyers must fully indemnify TI and its representatives against any damages arising out of the use of TI products in such safety-critical applications.

TI products are neither designed nor intended for use in military/aerospace applications or environments unless the TI products are specifically designated by TI as military-grade or "enhanced plastic." Only products designated by TI as military-grade meet military specifications. Buyers acknowledge and agree that any such use of TI products which TI has not designated as military-grade is solely at the Buyer's risk, and that they are solely responsible for compliance with all legal and regulatory requirements in connection with such use.

TI products are neither designed nor intended for use in automotive applications or environments unless the specific TI products are designated by TI as compliant with ISO/TS 16949 requirements. Buyers acknowledge and agree that, if they use any non-designated products in automotive applications, TI will not be responsible for any failure to meet such requirements.

Following are URLs where you can obtain information on other Texas Instruments products and application solutions:

Products

Amplifiers	amplifier.ti.com
Data Converters	dataconverter.ti.com
DSP	dsp.ti.com
Clocks and Timers	www.ti.com/clocks
Interface	interface.ti.com
Logic	logic.ti.com
Power Mgmt	power.ti.com
Microcontrollers	microcontroller.ti.com
RFID	www.ti-rfid.com
RF/IF and ZigBee® Solutions	www.ti.com/lprf

Applications

Audio	www.ti.com/audio
Automotive	www.ti.com/automotive
Broadband	www.ti.com/broadband
Digital Control	www.ti.com/digitalcontrol
Medical	www.ti.com/medical
Military	www.ti.com/military
Optical Networking	www.ti.com/opticalnetwork
Security	www.ti.com/security
Telephony	www.ti.com/telephony
Video & Imaging	www.ti.com/video
Wireless	www.ti.com/wireless