

REVISIONS

[查询"5962-9752301QXC"供应商](#)

DESCRIPTION

DATE (YR-MO-DA)

APPROVED

REV																					
SHEET	35	36	37	38	39	40	41	42													
REV																					
SHEET	15	16	17	18	19	20	21	22	23	24	25	26	27	28	29	30	31	32	33	34	
REV STATUS OF SHEETS				REV																	
				SHEET			1	2	3	4	5	6	7	8	9	10	11	12	13	14	
PMIC N/A				PREPARED BY Kenneth S. Rice						DEFENSE SUPPLY CENTER COLUMBUS COLUMBUS, OHIO 42316											
<b>STANDARD MICROCIRCUIT DRAWING</b>  THIS DRAWING IS AVAILABLE FOR USE BY ALL DEPARTMENTS AND AGENCIES OF THE DEPARTMENT OF DEFENSE  AMSC N/A				CHECKED BY Jeff Bowling																	
				APPROVED BY Raymond Monnin																	
				DRAWING APPROVAL DATE 97-07-31						SIZE <b>A</b>	CAGE CODE <b>67268</b>	<b>5962-97523</b>									
				REVISION LEVEL						SHEET 1 OF 42											

DSCC FORM 2233  
APR 97

5962-E230-97

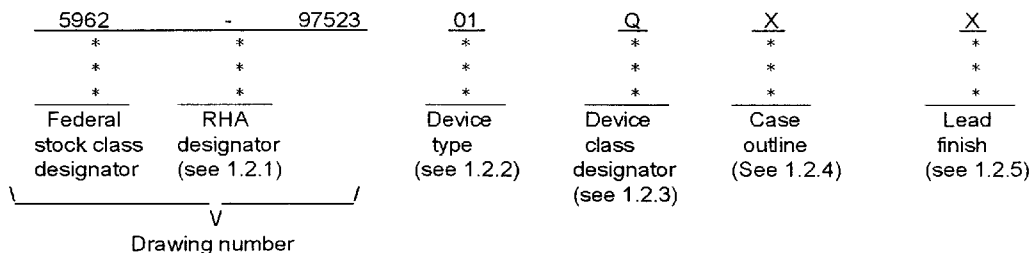
DISTRIBUTION STATEMENT A. Approved for public release; distribution is unlimited.

■ 9004708 0031745 738 ■

[查询"5962-9752301QXC"供应商](#)

1.1 Scope. This drawing documents two product assurance class levels consisting of high reliability (device classes Q and M) and space application (device class V). A choice of case outlines and lead finishes are available and are reflected in the Part or Identifying Number (PIN). When available, a choice of Radiation Hardness Assurance (RHA) levels are reflected in the PIN.

1.2 PIN. The PIN shall be as shown in the following example:



1.2.1 RHA designator. Device classes Q and V RHA marked devices meet the MIL-PRF-38535 specified RHA levels and are marked with the appropriate RHA designator. Device class M RHA marked devices meet the MIL-PRF-38535, appendix A specified RHA levels and are marked with the appropriate RHA designator. A dash (-) indicates a non-RHA device.

1.2.2 Device type(s). The device type(s) shall identify the circuit function as follows:

<u>Device type</u>	<u>Generic number</u>	<u>Circuit function</u>	<u>Access time</u>
01	4010E-4	10000 gate programmable array	4 ns

1.2.2 Device class designator. The device class designator shall be a single letter identifying the product assurance level as follows:

<u>Device class</u>	<u>Device requirements documentation</u>
M	Vendor self-certification to the requirements for MIL-STD-883 compliant, non-JAN class level B microcircuits in accordance with MIL-PRF-38535, appendix A
Q or V	Certification and qualification to MIL-PRF-38535

1.2.4 Case outline(s). The case outline(s) shall be as designated in MIL-STD-1835 and as follows:

<u>Outline letter</u>	<u>Descriptive designator</u>	<u>Terminals</u>	<u>Package style</u>
X	CMGA8-P191	191 1/	Pin grid array package
Y	see figure 1 196		Quad flat package
Z	see figure 1 196		Quad flat package

1.2.5 Lead finish. The lead finish is as specified in MIL-PRF-38535 for device classes Q and V or MIL-PRF-38535, appendix A for device class M.

1/ 191 = actual number of pins used, not maximum listed in MIL-STD-1835.

<b>STANDARD MICROCIRCUIT DRAWING DEFENSE SUPPLY CENTER COLUMBUS COLUMBUS, OHIO 42316-5000</b>	SIZE <b>A</b>		<b>5962-97523</b>
		REVISION LEVEL	SHEET <b>2</b>

Supply voltage range to ground potential ( $V_{CC}$ )	.....	-0.5 V dc to +7.0 V dc
DC input voltage range	.....	-0.5 V dc to $V_{CC}$ +0.5 V dc
Voltage applied to three-state output ( $V_{IS}$ )	.....	-0.5 V dc to $V_{CC}$ +0.5 V dc
Maximum power	.....	2.0 W
Thermal resistance, junction-to-case ( $\theta_{JC}$ ):		
Case outline X	.....	See MIL-STD-1835
Case outlines Y and Z	.....	20° C/W <u>3/</u>
Junction temperature ( $T_J$ )	.....	+150°C <u>4/</u>
Lead temperature (soldering, 10 seconds)	.....	+260°C
Storage temperature range	.....	-65°C to +150°C

1.4 Recommended operating conditions. 5/

Case operating temperature Range ( $T_C$ )	.....	-55°C to +125°C
Supply voltage relative to ground ( $V_{CC}$ )	.....	+4.5 V dc minimum to +5.5 V dc maximum
Ground voltage (GND)	.....	0 V dc

1.5 Digital logic testing for device classes Q and V.

Fault coverage measurement of manufacturing logic tests (MIL-STD-883, test method 5012)	.....	XX percent <u>6/</u>
---	-------	----------------------

2. APPLICABLE DOCUMENTS

2.1 Government specification, standards, and handbooks. The following specification, standards, and handbooks form a part of this drawing to the extent specified herein. Unless otherwise specified, the issues of these documents are those listed in the issue of the Department of Defense Index of Specifications and Standards (DoDISS) and supplement thereto, cited in the solicitation.

SPECIFICATION

MILITARY

MIL-PRF-38535 - Integrated Circuits, Manufacturing, General Specification for.

STANDARDS

MILITARY

MIL-STD-883 - Test Methods and Procedures for Microelectronics.  
 MIL-STD-973 - Configuration Management.  
 MIL-STD-1835 - Microcircuit Case Outlines.

2/ Stresses above the absolute maximum rating may cause permanent damage to the device. Extended operation at the maximum levels may degrade performance and affect reliability.  
3/ When a thermal resistance for this case is specified in MIL-STD-1835 that value shall supersede the value indicated herein.  
4/ Maximum junction temperature shall not be exceeded except for allowable short duration burn-in screening conditions in accordance with method 5004 of MIL-STD-883.  
5/ All voltage values in this drawing are with respect to  $V_{SS}$ .  
6/ Values will be added when they become available.

STANDARD MICROCIRCUIT DRAWING DEFENSE SUPPLY CENTER COLUMBUS COLUMBUS, OHIO 42316-5000	SIZE <b>A</b>		<b>5962-97523</b>
		REVISION LEVEL	SHEET <b>3</b>

HTS962-9752301QXC"供应商  
查询 5962-9752301QXC"供应商

MILITARY

- MIL-HDBK-103 - List of Standard Microcircuit Drawings (SMD's).
- MIL-HDBK-780 - Standard Microcircuit Drawings.

(Unless otherwise indicated, copies of the specification, standards, and handbooks are available from the Standardization Document Order Desk, 700 Robbins Avenue, Building 4D, Philadelphia, PA 19111-5094.)

2.2 Non-government publications. The following documents form a part of this document to the extent specified herein. Unless otherwise specified, the issues of the documents which are DoD adopted are those listed in the issue of the DODISS cited in the solicitation. Unless otherwise specified, the issues of documents not listed in the DODISS are the issues of the documents cited in the solicitation.

AMERICAN SOCIETY FOR TESTING AND MATERIALS (ASTM)

- ASTM Standard F1192-88 - Standard guide for the measurement of single event phenomena from Heavy Ion Irradiation of Semiconductor Devices.

(Applications for copies of ASTM publications should be addressed to the American Society for Testing and Materials, 1916 Race Street, Philadelphia, PA 19103.)

ELECTRONIC INDUSTRIES ASSOCIATION (EIA)

- JEDEC Standard No. 17 - A Standardized Test Procedure for the Characterization of Latch-up in CMOS Integrated Circuits.

(Applications for copies should be addressed to the Electronics Industries Association, 2001 Pennsylvania Street, N.W., Washington D.C. 20006.)

(Non-government standards and other publications are normally available from the organizations that prepare or distribute the documents. These documents also may be available in or through libraries or other informational services.)

2.3 Order of precedence. In the event of a conflict between the text of this drawing and the references cited herein, the text of this drawing shall take precedence. Nothing in this document, however, supersedes applicable laws and regulations unless a specific exemption has been obtained.

3. REQUIREMENTS

3.1 Item requirements. The individual item requirements for device classes Q and V shall be in accordance with MIL-PRF-38535 and as specified herein or as modified in the device manufacturer's Quality Management (QM) plan. The modification in the QM plan shall not affect the form, fit, or function as described herein. The individual item requirements for device class M shall be in accordance with MIL-PRF-38535, appendix A for non-JAN class level B devices and as specified herein.

3.2 Design, construction, and physical dimensions. The design, construction, and physical dimensions shall be as specified in MIL-PRF-38535 and herein for device classes Q and V or MIL-PRF-38535, appendix A and herein for device class M.

3.2.1 Case outline. The case outline shall be in accordance with 1.2.4 herein and figure 1.

3.2.2 Terminal connections. The terminal connections shall be as specified on figure 2.

3.2.3 Radiation exposure circuit. The radiation exposure circuit will be provided when RHA product becomes available.

3.2.4 Logic block diagram. The logic block diagram shall be as specified on figure 3.

STANDARD MICROCIRCUIT DRAWING DEFENSE SUPPLY CENTER COLUMBUS COLUMBUS, OHIO 42316-5000	SIZE A		5962-97523
		REVISION LEVEL	SHEET 4

DSCC FORM 2234  
APR 97

9004708 0031748 447

**3.3 Electrical performance characteristics and postirradiation parameter limits.** Unless otherwise specified herein, the electrical performance characteristics and postirradiation parameter limits are as specified in table I and shall apply over the full case operating temperature range.

**3.4 Electrical test requirements.** The electrical test requirements shall be the subgroups specified in table IIA. The electrical tests for each subgroup are defined in table I.

**3.5 Marking.** The part shall be marked with the PIN listed in 1.2 herein. In addition, the manufacturer's PIN may also be marked as listed in MIL-HDBK-103. For packages where marking of the entire SMD PIN number is not feasible due to space limitations, the manufacturer has the option of not marking the "5962-" on the device. For RHA product using this option, the RHA designator shall still be marked. Marking for device classes Q and V shall be in accordance with MIL-PRF-38535. Marking for device class M shall be in accordance with MIL-PRF-38535, appendix A.

**3.5.1 Certification/compliance mark.** The certification mark for device classes Q and V shall be a "QML" or "Q" as required in MIL-PRF-38535. The compliance mark for device class M shall be a "C" as required in MIL-PRF-38535, appendix A.

**3.6 Certificate of compliance.** For device classes Q and V, a certificate of compliance shall be required from a QML-38535 listed manufacturer in order to supply to the requirements of this drawing (see 6.6.1 herein). For device class M, a certificate of compliance shall be required from a manufacturer in order to be listed as an approved source of supply in MIL-HDBK-103 (see 6.6.2 herein). The certificate of compliance submitted to DSCC-VA prior to listing as an approved source of supply for this drawing shall affirm that the manufacturer's product meets, for device classes Q and V, the requirements of MIL-PRF-38535 and herein or for device class M, the requirements of MIL-PRF-38535, appendix A and herein.

**3.7 Certificate of conformance.** A certificate of conformance as required for device classes Q and V in MIL-PRF-38535 or for device class M in MIL-PRF-38535, appendix A shall be provided with each lot of microcircuits delivered to this drawing.

**3.8 Notification of change for device class M.** For device class M, notification to DSCC-VA of change of product (see 6.2 herein) involving devices acquired to this drawing is required for any change as defined in MIL-STD-973.

**3.9 Verification and review for device class M.** For device class M, DSCC, DSCC's agent, and the acquiring activity retain the option to review the manufacturer's facility and applicable required documentation. Offshore documentation shall be made available onshore at the option of the reviewer.

**3.10 Microcircuit group assignment for device class M.** Device class M devices covered by this drawing shall be in microcircuit group number 42 (see MIL-PRF-38535, appendix A).

#### 4. QUALITY ASSURANCE PROVISIONS

**4.1 Sampling and inspection.** For device classes Q and V, sampling and inspection procedures shall be in accordance with MIL-PRF-38535 or as modified in the device manufacturer's Quality Management (QM) plan. The modification in the QM plan shall not affect the form, fit, or function as described herein. For device class M, sampling and inspection procedures shall be in accordance with MIL-PRF-38535, appendix A.

**4.2 Screening.** For device classes Q and V, screening shall be in accordance with MIL-PRF-38535, and shall be conducted on all devices prior to qualification and technology conformance inspection. For device class M, screening shall be in accordance with method 5004 of MIL-STD-883, and shall be conducted on all devices prior to quality conformance inspection.

##### 4.2.1 Additional criteria for device class M.

- a. Delete the sequence specified as initial (preburn-in) electrical parameters through interim (postburn-in) electrical parameters of method 5004 and substitute lines 1 through 5 of table IIA herein.
- b. Test condition B. The test circuit shall be maintained by the manufacturer under document revision level control and shall be made available to the preparing or acquiring activity upon request. The test circuit shall specify the inputs, outputs, biases, and power dissipation, as applicable, in accordance with the intent specified in test method 1015.

<b>STANDARD MICROCIRCUIT DRAWING DEFENSE SUPPLY CENTER COLUMBUS COLUMBUS, OHIO 42316-5000</b>	<b>SIZE A</b>		<b>5962-97523</b>
		<b>REVISION LEVEL</b>	<b>SHEET 5</b>

DSCC FORM 2234  
APR 97

■ 9004708 0031749 383 ■

[查询"5962-97523-1QXC"供应商](#) Interim and final electrical parameters shall be as specified in table IIA herein.

4.2.2 Additional criteria for device classes Q and V.

- a. The burn-in test duration, test condition and test temperature, or approved alternatives shall be as specified in the device manufacturer's QM plan in accordance with MIL-PRF-38535. The burn-in test circuit shall be maintained under document revision level control of the device manufacturer's Technology Review Board (TRB) in accordance with MIL-PRF-38535 and shall be made available to the acquiring or preparing activity upon request. The test circuit shall specify the inputs, outputs, biases, and power dissipation, as applicable, in accordance with the intent specified in test method 1015 of MIL-STD-883.
- b. Interim and final electrical test parameters shall be as specified in table IIA herein.
- c. Additional screening for device class V beyond the requirements of device class Q shall be as specified in MIL-PRF-38535, appendix B.

4.3 Qualification inspection for device classes Q and V. Qualification inspection for device classes Q and V shall be in accordance with MIL-PRF-38535. Inspections to be performed shall be those specified in MIL-PRF-38535 and herein for groups A, B, C, D, and E inspections (see 4.4.1 through 4.4.4).

4.4 Conformance inspection. Technology conformance inspection for classes Q and V shall be in accordance with MIL-PRF-38535 including groups A, B, C, D, and E inspections and as specified herein except where option 2 of MIL-PRF-38535 permits alternate in-line control testing. Quality conformance inspection for device class M shall be in accordance with MIL-PRF-38535, appendix A and as specified herein. Inspections to be performed for device class M shall be those specified in method 5005 of MIL-STD-883 and herein for groups A, B, C, D, and E inspections (see 4.4.1 through 4.4.4).

4.4.1 Group A inspection.

- a. Tests shall be as specified in table IIA herein.
- b. Subgroups 5 and 6 of method 5005 of MIL-STD-883 shall be omitted.
- c. For device class M, subgroups 7, 8A, and 8B tests shall include verifying the functionality of the device. For device classes Q and V, subgroups 7 and 8 shall include verifying the functionality of the device; these tests shall have been fault graded in accordance with MIL-STD-883, test method 5012 (see 1.5 herein).
- d. O/V (latch-up) tests shall be measured only for initial qualification and after any design or process changes which may affect the performance of the device. For device class M, procedures and circuits shall be maintained under document revision level control by the manufacturer and shall be made available to the preparing activity or acquiring activity upon request. For device classes Q and V, the procedures and circuits shall be under the control of the device manufacturer's TRB in accordance with MIL-PRF-38535 and shall be made available to the preparing activity or acquiring activity upon request. Testing shall be on all pins, on four devices with zero failures. Latch-up test shall be considered destructive. Information contained in JEDEC standard number 17 may be used for reference.
- e. Subgroup 4 ( $C_{IN}$  and  $C_{OUT}$  measurements) shall be measured only for initial qualification and after any process or design changes which may affect input or output capacitance. Capacitance shall be measured between the designated terminal and GND at a frequency of 1 MHz. Sample size is 3 devices with no failures, and all input terminals tested.

<b>STANDARD MICROCIRCUIT DRAWING DEFENSE SUPPLY CENTER COLUMBUS COLUMBUS, OHIO 42316-5000</b>	<b>SIZE A</b>		<b>5962-97523</b>
		<b>REVISION LEVEL</b>	<b>SHEET 6</b>

DSCC FORM 2234  
APR 97

■ 9004708 0031750 0T5 ■

TABLE I. Electrical performance characteristics.

Test	Symbol	Conditions 4.5 V ≤ V <sub>CC</sub> ≤ 5.5 V -55°C ≤ T <sub>C</sub> ≤ +125°C unless otherwise specified	Group A subgroups	Device type	Limits		Unit
					Min	Max	
High level output voltage	V <sub>OH</sub>	V <sub>CC</sub> = 4.5 V, I <sub>OH</sub> = -4.0 mA	1,2,3	All	2.4		V
Low level output voltage 1/	V <sub>OL</sub>	V <sub>CC</sub> = 5.5 V, I <sub>OL</sub> = 12 mA,	1,2,3	All		0.4	V
Quiescent LCA supply current 2/	I <sub>CCO</sub>	V <sub>CC</sub> = V <sub>IN</sub> = 5.5 V	1,2,3	All		50	mA
Input leakage current	I <sub>IL</sub>	V <sub>IN</sub> = 0 V and 5.5 V, V <sub>CC</sub> = 5.5 V	1,2,3	All	-10	+10	μA
Pad pull-up current (when selected)	I <sub>RIN</sub>	V <sub>IN</sub> = 0 V	1,2,3	All	-0.02	-0.25	mA
Horizontal long line pull-up current (when selected)	I <sub>RLL</sub>	At logic low	1,2,3	All	0.2	2.5	mA
Input capacitance	C <sub>IN</sub>	V <sub>CC</sub> = 5.0 V, f = 1 Mhz, V <sub>IN</sub> = 0 to 5 V, see 4.4.1e	4	All		16	pF
Output capacitance	C <sub>OUT</sub>	V <sub>CC</sub> = 5.0 V, f = 1 Mhz, V <sub>OUT</sub> = 0 to 5 V, see 4.4.1e	4	All		16	pF
Functional test	FT	See 4.4.1c	7,8A,8B	All			
T <sub>pid</sub> + 20*T <sub>ilo</sub> + Int. + T <sub>ops</sub> + rtd	t <sub>B1</sub>		9, 10, 11	01		99.1	ns
T <sub>pid</sub> + 20*T <sub>hho</sub> + Int. + T <sub>ops</sub> + rtd	t <sub>B2</sub>					119.1	
T <sub>pid</sub> + 20*T <sub>iho</sub> + Int. + T <sub>ops</sub> + rtd	t <sub>B3</sub>					139.1	
T <sub>pid</sub> + 20*T <sub>rio</sub> + Int. + T <sub>ops</sub> + rtd	t <sub>B4</sub>					173.1	
T <sub>cko</sub> + Int. + T <sub>ick</sub>	t <sub>B5</sub>					10.1	
T <sub>cko</sub> + Int. + T <sub>hhck</sub>	t <sub>B6</sub>					11.1	
T <sub>cko</sub> + Int. + T <sub>dick</sub>	t <sub>B7</sub>					9.1	
T <sub>cko</sub> + Int. + T <sub>ihck</sub>	t <sub>B8</sub>					12.2	
T <sub>cko</sub> + Int. + T <sub>ecck</sub>	t <sub>B9</sub>					10.1	

See footnotes at end of table.

STANDARD MICROCIRCUIT DRAWING DEFENSE SUPPLY CENTER COLUMBUS COLUMBUS, OHIO 42316-5000	SIZE <b>A</b>		<b>5962-97523</b>
		REVISION LEVEL	SHEET <b>7</b>

Test	Symbol	Conditions 4.5 V ≤ V <sub>CC</sub> ≤ 5.5 V -55°C ≤ T <sub>C</sub> ≤ +125°C unless otherwise specified	Group A subgroups	Device type	Limits		Unit
					Min	Max	
Interconnect + t <sub>pid</sub> + t <sub>ops</sub> + t <sub>opcy</sub> + t <sub>sum</sub> - t <sub>BYP</sub>	t <sub>B10</sub>		9, 10, 11	01		197.7	ns
Interconnect + t <sub>pid</sub> + t <sub>ops</sub> + t <sub>ascy</sub> + t <sub>sum</sub> - t <sub>BYP</sub>	t <sub>B11</sub>					245	
Interconnect + t <sub>pid</sub> + t <sub>ops</sub> + t <sub>incy</sub> + t <sub>sum</sub>	t <sub>B12</sub>					107.4	
Interconnect + t <sub>pid</sub> + t <sub>ops</sub> + t <sub>incy</sub> + t <sub>sum</sub> + t <sub>BYP</sub>	t <sub>B13</sub>					43.5	
<b>WIDE DECODER SWITCHING CHARACTERISTICS</b>							
Full length, both pull-ups inputs from IOB I-pins	T <sub>WAF</sub>	See figures 3 and 4 as applicable. 3/	4/	01		15	ns
Full length, both pull-ups inputs from internal logic	T <sub>WAFI</sub>		4/			18	
Half length, one pull-up inputs from IOB I-pins	T <sub>WAO</sub>		4/			16	
Half length, one pull-up inputs from internal logic	T <sub>WAOI</sub>		4/			18	
<b>CLB SWITCHING CHARACTERISTICS</b>							
Combinatorial delay F/G inputs to X/Y outputs	T <sub>ILO</sub>	See figures 3 and 4, as applicable.	5/ 6/	01		3.9	ns
Combinatorial delay F/G inputs via H' to X/Y outputs	T <sub>IHO</sub>		5/ 6/			5.9	
Combinatorial delay C inputs via H' to X/Y outputs	T <sub>HHO</sub>		5/			4.9	
CLB fast carry logic operand inputs (F1,F2,G1, G4) to C <sub>OUT</sub>	T <sub>OPCY</sub>		6/	01		4.4	ns
CLB fast carry logic add/ subtract input (F3) to C <sub>OUT</sub>	T <sub>ASCY</sub>		6/			6.8	

See footnotes at end of table.

STANDARD MICROCIRCUIT DRAWING DEFENSE SUPPLY CENTER COLUMBUS COLUMBUS, OHIO 42316-5000	SIZE <b>A</b>		<b>5962-97523</b>
		REVISION LEVEL	SHEET 8



Test	Symbol	Conditions 4.5 V ≤ V <sub>CC</sub> ≤ 5.5 V -55°C ≤ T <sub>C</sub> ≤ +125°C unless otherwise specified	Group A subgroups	Device type	Limits		Unit
					Min	Max	
CLB SWITCHING CHARACTERISTICS - Continued.							
CLB fast carry logic initialization inputs (F1,F3) to C <sub>OUT</sub>	T <sub>INCY</sub>	See figures 3 and 4, as applicable	6/	01		2.9	ns
CLB fast carry logic C <sub>IN</sub> through function generators to X/Y outputs	T <sub>SUM</sub>		6/			5.0	
CLB fast carry logic C <sub>IN</sub> to C <sub>OUT</sub> , bypass function generators	T <sub>BYP</sub>		6/			1.0	
Sequential delays clock K to outputs Q	T <sub>CKO</sub>		5/ 6/			5.0	
Set-up time before clock K, F/G inputs	T <sub>ICK</sub>		5/ 6/			4.0	
Set-up time before clock K, F/G inputs via H'	T <sub>IHCK</sub>		5/ 6/			6.1	
Set-up time before clock K, C inputs via H1	T <sub>HHCK</sub>		5/ 6/			5.0	
Set-up time before clock K, C inputs via DIN	T <sub>DICK</sub>		5/ 6/			3.0	
Set-up time before clock K, C inputs via EC	T <sub>ECCK</sub>		5/ 6/			4.0	
Set-up time before clock K, C inputs via S/R, going low (inactive)	T <sub>RCK</sub>		4/			4.2	

See footnotes at end of table.

STANDARD MICROCIRCUIT DRAWING DEFENSE SUPPLY CENTER COLUMBUS COLUMBUS, OHIO 42316-5000	SIZE <b>A</b>		<b>5962-97523</b>
		REVISION LEVEL	SHEET <b>9</b>

Test	Symbol	Conditions 4.5 V ≤ V <sub>CC</sub> ≤ 5.5 V -55°C ≤ T <sub>C</sub> ≤ +125°C unless otherwise specified	Group A subgroups	Device type	Limits		Unit
					Min	Max	
CLB SWITCHING CHARACTERISTICS - Continued.							
Hold time after clock K, F/G inputs	T <sub>CKI</sub>	See figures 3 and 4, as applicable	5/ 6/	01	0		ns
Hold time after clock K, F/G inputs via H'	T <sub>CKIH</sub>		5/ 6/		0		
Hold time after clock K, C inputs via H1	T <sub>CKHH</sub>		5/ 6/		0		
Hold time after clock K, C inputs via DIN	T <sub>CKDI</sub>		5/ 6/		0		
Hold time after clock K, C inputs via EC	T <sub>CKEC</sub>		5/ 6/		0		
Hold time after clock K, C inputs via S/R, going low (inactive)	T <sub>CKR</sub>		4/		0		
Clock high time	T <sub>CH</sub>		4/		4.5		
Clock low time	T <sub>CL</sub>		4/		4.5		
Set/Reset direct width (high)	T <sub>RPW</sub>		4/		5.5		
Set/Reset direct delay, from C to Q	T <sub>RIO</sub>		5/			6.5	
Master set/reset width (high or low)	T <sub>MRW</sub>		4/		55		
Master set/reset delay from global set/reset net to Q	T <sub>MRQ</sub>		4/			60	

See footnotes at end of table.

STANDARD MICROCIRCUIT DRAWING DEFENSE SUPPLY CENTER COLUMBUS COLUMBUS, OHIO 42316-5000	SIZE <b>A</b>		5962-97523
		REVISION LEVEL	SHEET 10

Test	Symbol	Conditions 4.5 V ≤ V <sub>CC</sub> ≤ 5.5 V -55°C ≤ T <sub>C</sub> ≤ +125°C unless otherwise specified	Group A subgroups	Device type	Limits		Unit
					Min	Max	
CLB SWITCHING CHARACTERISTICS (RAM OPTION)							
Read operation, address read cycle time (16 X 2)	T <sub>RC</sub>	See figures 3 and 4, as applicable. 7/ 8/	4/	01	4.5		ns
Read operation, address read cycle time (32 X 1)	T <sub>RCT</sub>		4/		6.5		
Read operation data valid after address change (no write enable) (16 X 2)	T <sub>ILO</sub>		4/			3.9	
Read operation data valid after address change (no write enable) (32 X 1)	T <sub>IHO</sub>		4/			5.9	
Read during write, clocking data into flip flop address setup time before clock K (16 X 2)	T <sub>ICK</sub>		4/		4.0		
Read during write, clocking data into flip flop address setup time before clock K (32 X 1)	T <sub>IHCK</sub>		4/		6.1		
Read during write, data valid after WE going active (16 X 2)	T <sub>WO</sub>		4/			10	
Read during write, (DIN stable before WE) (32 X 1)	T <sub>WOT</sub>		4/			12	

See footnotes at end of table.

STANDARD MICROCIRCUIT DRAWING DEFENSE SUPPLY CENTER COLUMBUS COLUMBUS, OHIO 42316-5000	SIZE <b>A</b>		<b>5962-97523</b>
		REVISION LEVEL	SHEET <b>11</b>

Test	Symbol	Conditions 4.5 V ≤ V <sub>CC</sub> ≤ 5.5 V -55°C ≤ T <sub>C</sub> ≤ +125°C unless otherwise specified	Group A subgroups	Device type	Limits		Unit
					Min	Max	
CLB SWITCHING CHARACTERISTICS (RAM OPTION) - Continued.							
Read during write, data valid after DIN (16 X 2)	T <sub>DO</sub>	See figures 3 and 4, as applicable <i>I/ B/</i>	<u>4/</u>	01		9	ns
Read during write, (DIN change during WE) (32 X 1)	T <sub>DOT</sub>		<u>4/</u>			11	
Read during write, clocking data into flip flop, WE setup time before clock K (16 X 2)	T <sub>WCK</sub>		<u>4/</u>			8	
Read during write, clocking data into flip flop, WE setup time before clock K (32 X 1)	T <sub>WCKT</sub>		<u>4/</u>			9.6	
Read during write, clocking data into flip flop, data setup time before clock K (16 X 2)	T <sub>DCK</sub>		<u>4/</u>			7.0	
Read during write, clocking data into flip flop, data setup time before clock K (32 X 1)	T <sub>DCKT</sub>		<u>4/</u>			8.0	
Write operation, address write cycle time (16 X 2)	T <sub>WC</sub>		<u>4/</u>			8.0	
Write operation, address write cycle time (32 X 1)	T <sub>WCT</sub>		<u>4/</u>			8.0	

See footnotes at end of table.

STANDARD  
MICROCIRCUIT DRAWING  
DEFENSE SUPPLY CENTER COLUMBUS  
COLUMBUS, OHIO 42316-5000

SIZE  
A

5962-97523

REVISION LEVEL

SHEET  
12

查询"5962-9752301QXC"供货

TABLE I. Electrical Performance Characteristics - continued.

Test	Symbol	Conditions 4.5 V ≤ V <sub>CC</sub> ≤ 5.5 V -55°C ≤ T <sub>C</sub> ≤ +125°C unless otherwise specified	Group A subgroups	Device type	Limits		Unit
					Min	Max	
CLB SWITCHING CHARACTERISTICS (RAM OPTION) - Continued.							
Write operation, write enable pulse width (high) (16 X 2)	T <sub>WVP</sub>	See figure 3 and 4, as applicable Z/ 8/	4/	01	4.0		ns
Write operation, write enable pulse width (high) (32 X 1)	T <sub>WPT</sub>		4/		4.0		
Write operation, address setup time before beginning of WE (16 X 2)	T <sub>AS</sub>		4/		2		
Write operation, address setup time before beginning of WE (32 X 1)	T <sub>AST</sub>		4/		2		
Write operation, address hold time after end of WE (16 X 2)	T <sub>AH</sub>		4/		2.5		
Write operation, address hold time after end of WE (32 X 1)	T <sub>AHT</sub>		4/		2		
Write operation, DIN setup time before end of WE (16 X 2)	T <sub>DS</sub>		4/		4		
Write operation, DIN setup time before end of WE (32 X 1)	T <sub>DST</sub>		4/		5		
Write operation, DIN hold time after end of WE	T <sub>DHT</sub>		4/		2		

See footnotes at end of table.

<b>STANDARD MICROCIRCUIT DRAWING</b> DEFENSE SUPPLY CENTER COLUMBUS COLUMBUS, OHIO 42316-5000	<b>SIZE A</b>		<b>5962-97523</b>
		REVISION LEVEL	SHEET <b>13</b>

DSCC FORM 2234  
APR 97

■ 9004708 0031757 45T ■

Test	Symbol	Conditions 4.5 V ≤ V <sub>CC</sub> ≤ 5.5 V -55°C ≤ T <sub>C</sub> ≤ +125°C unless otherwise specified	Group A subgroups	Device type	Limits		Unit	
					Min	Max		
<b>IOB SWITCHING CHARACTERISTICS</b>								
Input propagation delay, pad to I1, I2	T <sub>PID</sub>	See figures 3 and 4 as applicable. 9/ 10/	5/	01		3	ns	
Input propagation delay, pad to I1, I2, via transparent latch (fast)	T <sub>PLI</sub>		4/			6.0		
Input propagation delay, pad to I1, I2, via transparent latch (with delay)	T <sub>PDLI</sub>		4/			12.2		
Input propagation delay, clock (IK) to I1, I2, (flip-flop)	T <sub>IKRI</sub>		4/			6.8		
Input propagation delay, clock (IK) to I1, I2, (latch enable)	T <sub>IKLI</sub>		4/			7.3		
Setup time, pad to clock (IK), fast	T <sub>PICK</sub>	See figures 3 and 4 as applicable. 9/ 10/ 11/	4/			4.0		
Setup time, pad to clock (IK), with delay	T <sub>PICKD</sub>		4/			11.3		
Hold time, pad to clock (IK), fast	T <sub>IKPI</sub>		4/			0		
Hold time, pad to clock (IK), with delay	T <sub>IKPID</sub>		4/			0		
Output propagation delay clock (OK) to pad, (fast)	T <sub>OKPOF</sub>	See figures 3 and 4 as applicable. 9/ 10/	4/					7.5
Output propagation delay clock (OK) to pad, (slew rate limited)	T <sub>OKPOS</sub>		4/			11.5		
Output propagation delay output (O) to pad (fast)	T <sub>OPF</sub>		4/			8		

See footnotes at end of table.

<b>STANDARD MICROCIRCUIT DRAWING DEFENSE SUPPLY CENTER COLUMBUS COLUMBUS, OHIO 42316-5000</b>	<b>SIZE A</b>		<b>5962-97523</b>
		REVISION LEVEL	SHEET 14

Test	Symbol	Conditions 4.5 V < V <sub>CC</sub> ≤ 5.5 V -55°C ≤ T <sub>C</sub> ≤ +125°C unless otherwise specified	Group A subgroups	Device type	Limits		Unit
					Min	Max	
IOB SWITCHING CHARACTERISTICS - continued							
Output propagation delay output (O) to pad (slew rate limited)	T <sub>OPS</sub>	See figures 3 and 4 as applicable. <u>9/ 10/</u>	<u>5/</u>	01		12	ns
Output propagation delay 3-state to pad begin hi-Z (fast)	T <sub>TSHZF</sub>		<u>8/</u>		10.0		
Output propagation delay 3-state to pad active and valid (fast)	T <sub>TSONF</sub>		<u>8/</u>		10.0		
Output propagation delay 3-state to pad active and valid (slew rate limited)	T <sub>TSONS</sub>		<u>8/</u>		13.7		
Setup time, output (O) to clock (OK)	T <sub>OOK</sub>		<u>4/</u>		5.0		
Hold time, output (O) to clock (OK)	T <sub>OKO</sub>		<u>4/</u>		0		
Clock high or low time	T <sub>CH/</sub> T <sub>CL</sub>		<u>4/</u>		4.5		
Global set/reset delay from GSR net through Q to I1, I2	T <sub>RRI</sub>		<u>4/</u>		21		
Global set/reset delay from GSR net to pad	T <sub>RPO</sub>		<u>4/</u>		20.3		
Global set/reset GSR width	T <sub>MRW</sub>		<u>4/</u>		55		

See footnotes at end of table.

STANDARD MICROCIRCUIT DRAWING DEFENSE SUPPLY CENTER COLUMBUS COLUMBUS, OHIO 42316-5000	SIZE <b>A</b>		<b>5962-97523</b>
		REVISION LEVEL	SHEET <b>15</b>

查询"5962-9752301QXC"供应商

1. Electrical Performance Characteristics - continued.

Test	Symbol	Conditions 4.5 V ≤ V <sub>CC</sub> ≤ 5.5 V -55°C ≤ T <sub>C</sub> ≤ +125°C unless otherwise specified	Group A subgroups	Device type	Limits		Unit
					Min	Max	

GUARANTEED INPUT AND OUTPUT PARAMETERS (Pin to Pin, TTL inputs)

Global Clock to Output (fast) using OFF	T <sub>ICKOF</sub>	OFF = Output Flip-Flop; IFF = Input Flip-Flop or Latch	11/	01		16	ns
Global Clock to Output (slew-limited) using OFF	T <sub>ICKO</sub>					20	
Input setup time, using IFF (no delay)	T <sub>PSUF</sub>				1.9		
Input hold time, using IFF (no delay)	T <sub>PHF</sub>				6		
Input setup time, using IFF (with delay)	T <sub>PSU</sub>				8.5		
Input hold time, using IFF (with delay)	T <sub>PH</sub>				0		

CLB EDGE TRIGGERED (Synchronous) RAM SWITCHING CHARACTERISTICS GUIDELINES

Address write cycle time (clock K period)	T <sub>WCS</sub>	See figure 5	! Size of RAM !	16X2	4/ 12/	01	15		ns	
	T <sub>WCTS</sub>			32X1			15			
Clock K pulse width (active edge)	T <sub>WPS</sub>			16X2			7.5		1	ms
	T <sub>WPTS</sub>			32X1			7.5		1	ms
Address setup time before clock K	T <sub>ASS</sub>			16X2			2.8			ns
	T <sub>ASTS</sub>			32X1			2.8			
Address hold time after clock K	T <sub>AHS</sub>			16X2			0			
	T <sub>AHTS</sub>			32X1			0			
DIN setup time before clock K	T <sub>DSS</sub>			16X2			3.5			
	T <sub>DSTS</sub>			32X1			2.5			
DIN hold time after clock K	T <sub>DHS</sub>			16X2			0			
	T <sub>DHTS</sub>			32X1			0			

See footnotes at end of table.

STANDARD MICROCIRCUIT DRAWING DEFENSE SUPPLY CENTER COLUMBUS COLUMBUS, OHIO 42316-5000	SIZE <b>A</b>		<b>5962-97523</b>
		REVISION LEVEL	SHEET <b>16</b>

DSCC FORM 2234  
APR 97

9004708 0031760 T44



Test	Symbol	Conditions $4.5\text{ V} \leq V_{CC} \leq 5.5\text{ V}$ $-55^\circ\text{C} \leq T_C \leq +125^\circ\text{C}$ unless otherwise specified	Group A subgroups	Device type	Limits		Unit					
					Min	Max						
CLB EDGE TRIGGERED (Synchronous) RAM SWITCHING CHARACTERISTICS GUIDELINES -Continued												
WE setup time before clock K	$T_{WSS}$	See figure 5	! Size of RAM !	16X2	4/ 12/	01	2.2		ns			
	$T_{WSTS}$			32X1			2.2					
WE hold time after clock K	$T_{WHS}$			16X2			0					
	$T_{WHTS}$			32X1			0					
Data valid after clock K	$T_{WOS}$			16X2				10.3				
	$T_{WOTS}$			32X1				11.6				
CLB EDGE TRIGGERED (Synchronous) DUAL-PORT RAM SWITCHING CHARACTERISTICS GUIDELINES												
Address write cycle time (clock K period)	$T_{WCDS}$			See figure 6			! Size of RAM !	16X1		4/ 12/	01	15.0
Clock K pulse width (active edge)	$T_{WPDS}$	16X1	7.5			ms						
Address setup time before clock K	$T_{ASDS}$	16X1	2.8			ns						
Address hold time after clock K	$T_{AHDS}$	16X1	0									
DIN setup time before clock K	$T_{DSDS}$	16X1	2.2									
Din hold time after clock K	$T_{DHDS}$	16X1	0									
WE setup time before clock K	$T_{WSDS}$	16X1	2.2									
WE hold time after clock K	$T_{WHDS}$	16X1	0.3									
Data valid after clock K	$T_{WODS}$	16X1			10.0							

1/ With 50 percent of the outputs simultaneously sinking 12 mA, up to a maximum of 64 pins.

2/ With no output current loads, no active input or long line pull-resistors, all package pins at  $V_{CC}$  or GND, and the LCA configured with a MakeBits "tie" option.

3/ These delays are specified from the decoder input to the decoder output. For pad-to-pad delays, add the input delay ( $T_{PID}$ ) and output delay (TOPF or TOPS).

STANDARD  
MICROCIRCUIT DRAWING  
DEFENSE SUPPLY CENTER COLUMBUS  
COLUMBUS, OHIO 42316-5000

SIZE  
A

5962-97523

REVISION LEVEL

SHEET  
17

查询"5962-97523-1 QXC"供应商  
<http://www.icminer.com>

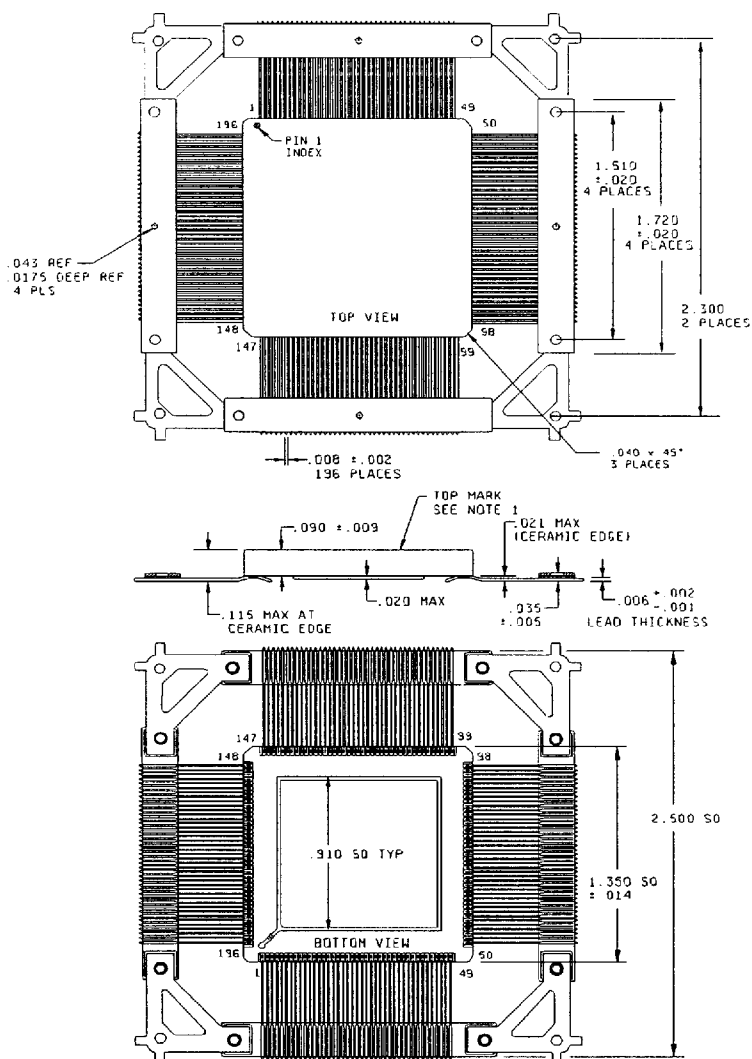
Parameter is guaranteed by characterization data which is taken at initial device introduction, and prior to the introduction of significant changes.

- 5/ Parameter is not directly tested. Devices are first 100 percent functionally tested. Benchmark patterns ( $t_{B1} - t_{B13}$ ) are then used to determine the compliance of this parameter. Characterization data is taken at initial device introduction, and after any design or process changes, which may affect this parameter.
- 6/ Benchmark patterns ( $t_{B1} - t_{B13}$ ) are used to determine compliance of this parameter.
- 7/ Timing for the 16 X 1 RAM option is identical to 16 X 2 RAM timing.
- 8/ Values indicated are guaranteed by characterization data if application note, provided by manufacturer, is followed. If application note is not followed, indicated values are typical only.
- 9/ Timing is measured at pin threshold, with 50 pF external capacitive loads including test fixture. Slew rate limited output rise/fall times are approximately two times longer than fast output rise/fall times. A maximum total external capacitive load for simultaneous fast mode switching in the same direction is 200 pF per power/ground pin pair. For slew-rate limited outputs this total is two times larger. Exceeding this maximum capacitive load can result in ground bounce of greater than 1.5 V amplitude, less than 5 ns duration, which might cause problems when the LCA drives clocks and other asynchronous signals.
- 10/ Voltage levels of unused (bonded and unbonded) pads must be valid logic levels. Each can be configured with the internal pull-up or pull-down resistor or alternatively configured as a driven output or be driven from an external source.
- 11/ Input pad setup times and hold times are specified with respect to the internal clock (IK). To calculate system setup time, subtract clock delay (clock pad to IK) from the specified input pad setup time value, but do not subtract below zero. "Negative" hold time means that the delay in the input data is adequate for the external system hold time to be zero, provided the input clock uses the global signal distribution from pad to IK.
- 12/ Timing for the 16 X 1 RAM option is identical to 16 X 2 RAM timing. Applicable read timing specifications are identical to level sensitive read timing.

<b>STANDARD          MICROCIRCUIT DRAWING          DEFENSE SUPPLY CENTER COLUMBUS          COLUMBUS, OHIO 42316-5000</b>	<b>SIZE          A</b>		<b>5962-97523</b>
		<b>REVISION LEVEL</b>	<b>SHEET          18</b>

DSCC FORM 2234  
 APR 97

■ 9004708 0031762 817 ■



NOTE:

1. Package has top marking on non-lid side, therefore, pin out goes clockwise when device is mounted with lid in down position. The Z package is just like this package except the top marking is on the traditional lid side and when mounted with the lid up, the pin out goes counter clockwise.

FIGURE 1. Case outline.

STANDARD MICROCIRCUIT DRAWING DEFENSE SUPPLY CENTER COLUMBUS COLUMBUS, OHIO 42316-5000	SIZE <b>A</b>		<b>5962-97523</b>
		REVISION LEVEL	SHEET <b>19</b>

Inches	mm	Inches	mm
.001	0.02	.043	1.09
.002	0.05	.090	2.29
.005	0.13	.115	2.92
.006	0.15	.910	23.11
.008	0.20	1.350	34.29
.009	0.23	1.510	38.35
.014	0.36	1.720	43.69
.0175	0.44	2.300	58.42
.020	0.51	2.500	63.50
.021	0.53		
.035	0.89		
.040	1.02		

NOTE: The US government preferred system of measurement is the metric SI system. However, this item was originally designed using inch-pound units of measurement. In the event of conflict between the metric and inch-pound units, the inch-pound units shall take precedence.

FIGURE 1. Case outline.

STANDARD MICROCIRCUIT DRAWING DEFENSE SUPPLY CENTER COLUMBUS COLUMBUS, OHIO 42316-5000	SIZE <b>A</b>		<b>5962-97523</b>
		REVISION LEVEL	SHEET <b>20</b>

Device type	All	Device type	All	Device type	All
Terminal number	Terminal symbol	Terminal number	Terminal symbol	Terminal number	Terminal symbol
A2	I/O (TD1)	C2	I/O (A14)	F16	I/O
A3	I/O	C3	PGCK1 (A16, I/O)	F17	I/O
A4	I/O	C4	I/O (A17)	F18	I/O
A5	I/O	C5	I/O	G1	I/O (A10)
A6	I/O	C6	I/O	G2	I/O (A11)
A7	I/O	C7	GND	G3	GND
A8	I/O	C8	I/O	G16	GND
A9	I/O	C9	I/O	G17	I/O
A10	I/O	C10	I/O	G18	I/O
A11	I/O	C11	I/O	H1	I/O
A12	I/O	C12	GND	H2	I/O
A13	I/O	C13	I/O	H3	I/O
A14	I/O	C14	I/O	H16	I/O
A15	I/O	C15	M1	H17	I/O
A16	I/O	C16	M2	H18	I/O
A17	I/O	C17	I/O	J1	I/O
A18	MO	C18	I/O	J2	I/O (A9)
B1	I/O	D1	I/O	J3	I/O (A8)
B2	SGCK1 (A15, I/O)	D2	I/O (A13)	J4	VCC
B3	I/O	D3	VCC	J15	VCC
B4	I/O (TCK)	D4	GND	J16	I/O (INTT)
B5	I/O	D9	GND	J17	I/O
B6	I/O	D10	VCC	J18	I/O
B7	I/O (TMS)	D15	GND	K1	I/O
B8	I/O	D16	VCC	K2	I/O (A6)
B9	I/O	D17	I/O	K3	I/O (A7)
B10	I/O	D18	I/O	K4	GND
B11	I/O	E1	I/O	K15	GND
B12	I/O	E2	I/O	K16	I/O
B13	I/O	E3	I/O	K17	I/O
B14	I/O	E16	I/O (HDC)	K18	I/O
B15	I/O	E17	I/O (LDC)	L1	I/O
B16	SGCK2 (I/O)	E18	I/O	L2	I/O
B17	PGCK2 (I/O)	F1	I/O	L3	I/O
B18	I/O	F2	I/O	L16	I/O
C1	I/O	F3	I/O (A12)	L17	I/O

NC = NO CONNECT

FIGURE 2. Terminal connections.

STANDARD MICROCIRCUIT DRAWING DEFENSE SUPPLY CENTER COLUMBUS COLUMBUS, OHIO 42316-5000	SIZE <b>A</b>		<b>5962-97523</b>
		REVISION LEVEL	SHEET <b>21</b>

Device type	All		Device type	All		Device type	All
Terminal number	Terminal symbol		Terminal number	Terminal symbol		Terminal number	Terminal symbol
L18	I/O		R17	I/O		U8	I/O
M1	I/O (A5)		R18	I/O		U9	I/O ( $\overline{RS}$ )
M2	I/O (A4)		T1	I/O		U10	I/O (D4)
M3	GND		T2	I/O (CS1, A2)		U11	I/O
M16	GND		T3	I/O (A0, $\overline{WS}$ )		U12	I/O (D5)
M17	I/O		T4	SGCK4 (I/O)-DOUT		U13	I/O
M18	I/O		T5	I/O		U14	I/O
N1	I/O		T6	I/O		U15	I/O
N2	I/O		T7	GND		U16	PGCK3 (I/O)
N3	I/O (A3)		T8	I/O		U17	DONE
N16	I/O		T9	I/O (D3)		U18	I/O
N17	I/O		T10	I/O		V1	CCLK
N18	I/O		T11	I/O		V2	I/O (RCLK-BUSY/RDY)
P1	I/O		T12	GND		V3	I/O (D1)
P2	I/O		T13	I/O		V4	I/O
P3	I/O		T14	I/O		V5	I/O
P16	I/O		T15	I/O (D7)		V6	I/O
P17	I/O		T16	SGCK3 (I/O)		V7	I/O (D2)
P18	I/O		T17	I/O		V8	I/O
R1	I/O		T18	I/O		V9	I/O
R2	I/O		U1	PGCK4 (I/O, A1)		V10	I/O
R3	GND		U2	TD0		V11	I/O
R4	V <sub>CC</sub>		U3	I/O (D0, DIN)		V12	I/O ( $\overline{CS0}$ )
R9	GND		U4	I/O		V13	I/O
R10	V <sub>CC</sub>		U5	I/O		V14	I/O
R15	V <sub>CC</sub>		U6	I/O		V15	I/O
R16	GND		U7	I/O		V16	I/O
						V17	I/O (D6)
						V18	PROG

NC = NO CONNECT

FIGURE 2. Terminal connections - Continued.

STANDARD MICROCIRCUIT DRAWING DEFENSE SUPPLY CENTER COLUMBUS COLUMBUS, OHIO 42316-5000	SIZE <b>A</b>		<b>5962-97523</b>
		REVISION LEVEL	SHEET <b>22</b>

DSCC FORM 2234  
APR 97

9004708 0031766 462

Device type	All	Device type	All	Device type	All
Terminal number	Terminal symbol	Terminal number	Terminal symbol	Terminal number	Terminal symbol
1	GND	37	I/O	73	I/O (ERR, TNIT)
2	PGCK1 (A16, I/O)	38	I/O	74	V <sub>CC</sub>
3	I/O (A17)	39	I/O	75	GND
4	I/O	40	I/O	76	I/O
5	NC	41	I/O	77	I/O
6	I/O	42	I/O	78	I/O
7	I/O (TDI)	43	I/O	79	I/O
8	I/O (TCK)	44	I/O	80	I/O
9	I/O	45	I/O	81	I/O
10	I/O	46	SGCK2 (I/O)	82	I/O
11	I/O	47	M1	83	I/O
12	I/O	48	GND	84	I/O
13	GND	49	M0	85	I/O
14	I/O	50	V <sub>CC</sub>	86	GND
15	I/O	51	M2	87	I/O
16	I/O (TMS)	52	PGCK2 (I/O)	88	I/O
17	I/O	53	I/O (HDC)	89	I/O
18	I/O	54	NC	90	I/O
19	I/O	55	I/O	91	I/O
20	I/O	56	I/O	92	I/O
21	I/O	57	I/O	93	I/O
22	I/O	58	I/O (LDC)	94	I/O
23	I/O	59	I/O	95	I/O
24	GND	60	I/O	96	SGCK3 (I/O)
25	V <sub>CC</sub>	61	I/O	97	GND
26	I/O	62	I/O	98	DONE
27	I/O	63	GND	99	V <sub>CC</sub>
28	I/O	64	I/O	100	PROG
29	I/O	65	I/O	101	I/O (D7)
30	I/O	66	I/O	102	PGCK3 (I/O)
31	I/O	67	I/O	103	NC
32	I/O	68	I/O	104	I/O
33	I/O	69	I/O	105	I/O
34	I/O	70	I/O	106	I/O (D6)
35	I/O	71	I/O	107	I/O
36	GND	72	I/O	108	I/O

NC = NO CONNECT

FIGURE 2. Terminal connections - Continued.

STANDARD MICROCIRCUIT DRAWING DEFENSE SUPPLY CENTER COLUMBUS COLUMBUS, OHIO 42316-5000	SIZE <b>A</b>		<b>5962-97523</b>
		REVISION LEVEL	SHEET <b>23</b>

Case outline Y and Z - Continued.

Device type	All	Device type	All	Device type	All
Terminal number	Terminal symbol	Terminal number	Terminal symbol	Terminal number	Terminal symbol
109	I/O	140	I/O (D1)	171	I/O (A7)
110	I/O	141	I/O (RCLK-BUSY/RDY)	172	GND
111	I/O	142	I/O	173	V <sub>CC</sub>
112	GND	143	I/O	174	I/O (A8)
113	I/O	144	I/O (D0, DIN)	175	I/O (A9)
114	I/O	145	SGCK4 (I/O)-DOUT	176	I/O
115	I/O (D5)	146	CCLK	177	I/O
116	I/O (CS0)	147	V <sub>CC</sub>	178	I/O
117	I/O	148	TD0	179	I/O
118	I/O	149	GND	180	I/O (A10)
119	I/O	150	I/O (A0, WS)	181	I/O (A11)
120	I/O	151	PGCK4 (I/O, A1)	182	I/O
121	I/O (D4)	152	NC	183	I/O
122	I/O	153	I/O	184	GND
123	V <sub>CC</sub>	154	I/O	185	I/O
124	GND	155	I/O (CS1, A2)	186	I/O
125	I/O (D3)	156	I/O (A3)	187	I/O
126	I/O (R <sub>S</sub> )	157	I/O	188	I/O
127	I/O	158	I/O	189	I/O (A12)
128	I/O	159	I/O	190	I/O (A13)
129	I/O	160	I/O	191	I/O
130	I/O	161	GND	192	NC
131	I/O (D2)	162	I/O	193	I/O
132	I/O	163	I/O	194	I/O (A14)
133	I/O	164	I/O (A4)	195	SGCK1 (A15, I/O)
134	I/O	165	I/O (A5)	196	V <sub>CC</sub>
135	GND	166	I/O		
136	I/O	167	I/O		
137	I/O	168	I/O		
138	I/O	169	I/O		
139	I/O	170	I/O (A6)		

NC = NO CONNECT

FIGURE 2. Terminal connections - Continued.

STANDARD MICROCIRCUIT DRAWING DEFENSE SUPPLY CENTER COLUMBUS COLUMBUS, OHIO 42316-5000	SIZE <b>A</b>		<b>5962-97523</b>
		REVISION LEVEL	SHEET <b>24</b>



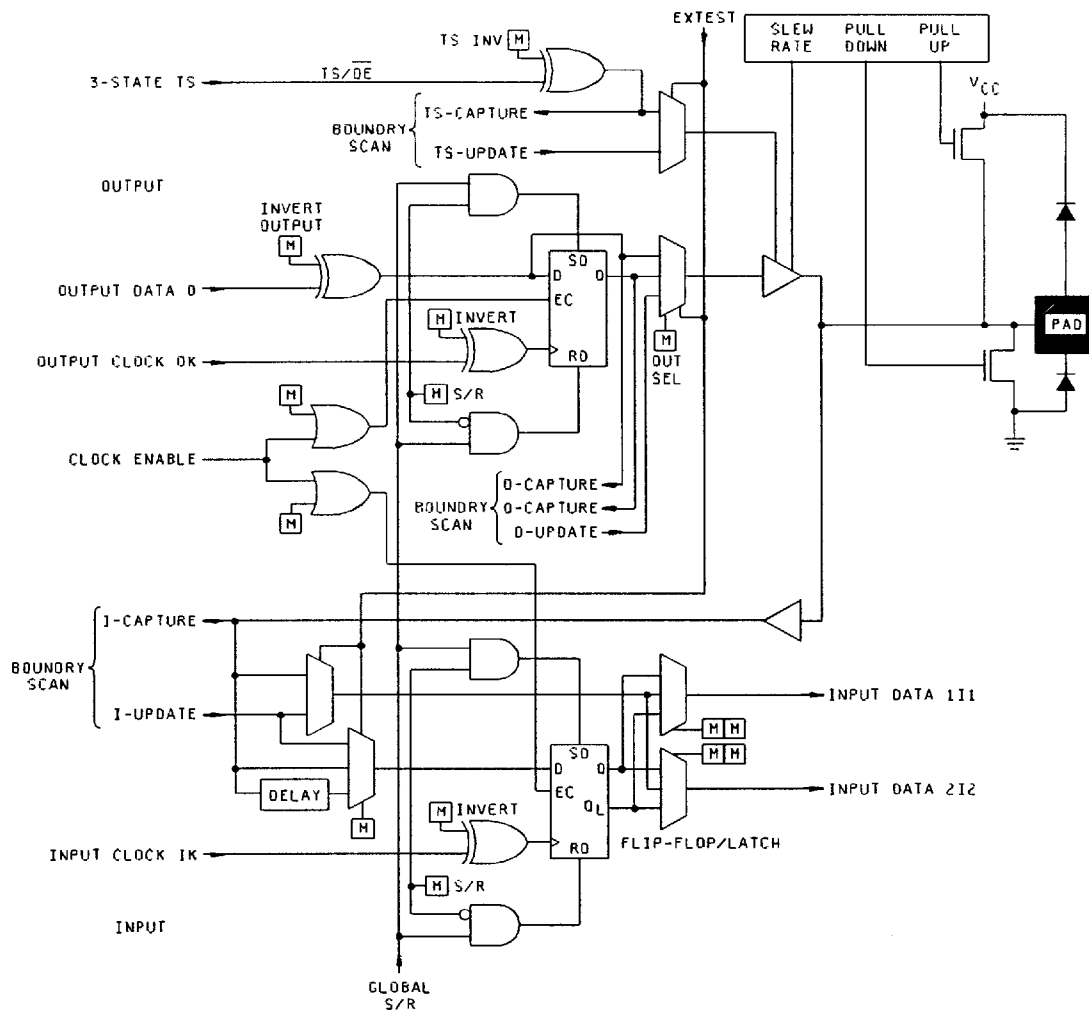
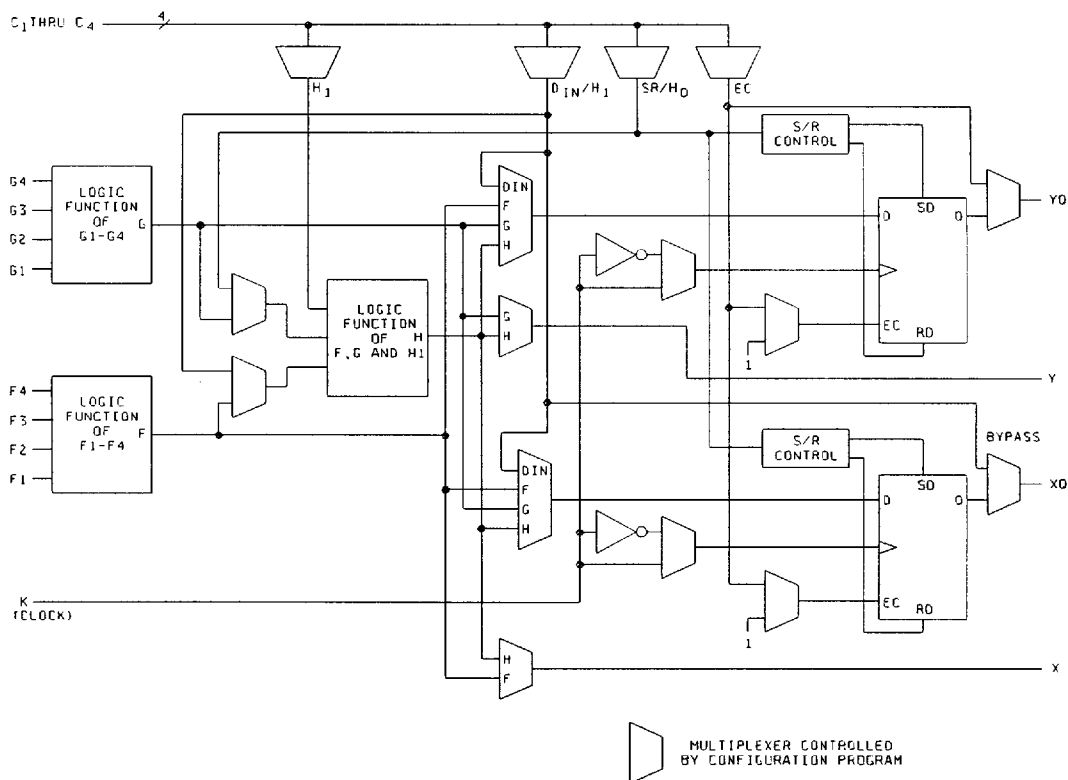


FIGURE 3. Logic block diagrams.

STANDARD MICROCIRCUIT DRAWING DEFENSE SUPPLY CENTER COLUMBUS COLUMBUS, OHIO 42316-5000	SIZE <b>A</b>		5962-97523
		REVISION LEVEL	SHEET 25

Simplified block diagram of CLB



(RAM and Carry logic functions not shown)

FIGURE 3. Logic block diagrams - Continued.

STANDARD MICROCIRCUIT DRAWING DEFENSE SUPPLY CENTER COLUMBUS COLUMBUS, OHIO 42316-5000	SIZE <b>A</b>		<b>5962-97523</b>
		REVISION LEVEL	SHEET <b>26</b>

DSCC FORM 2234  
APR 97

9004708 0031770 993

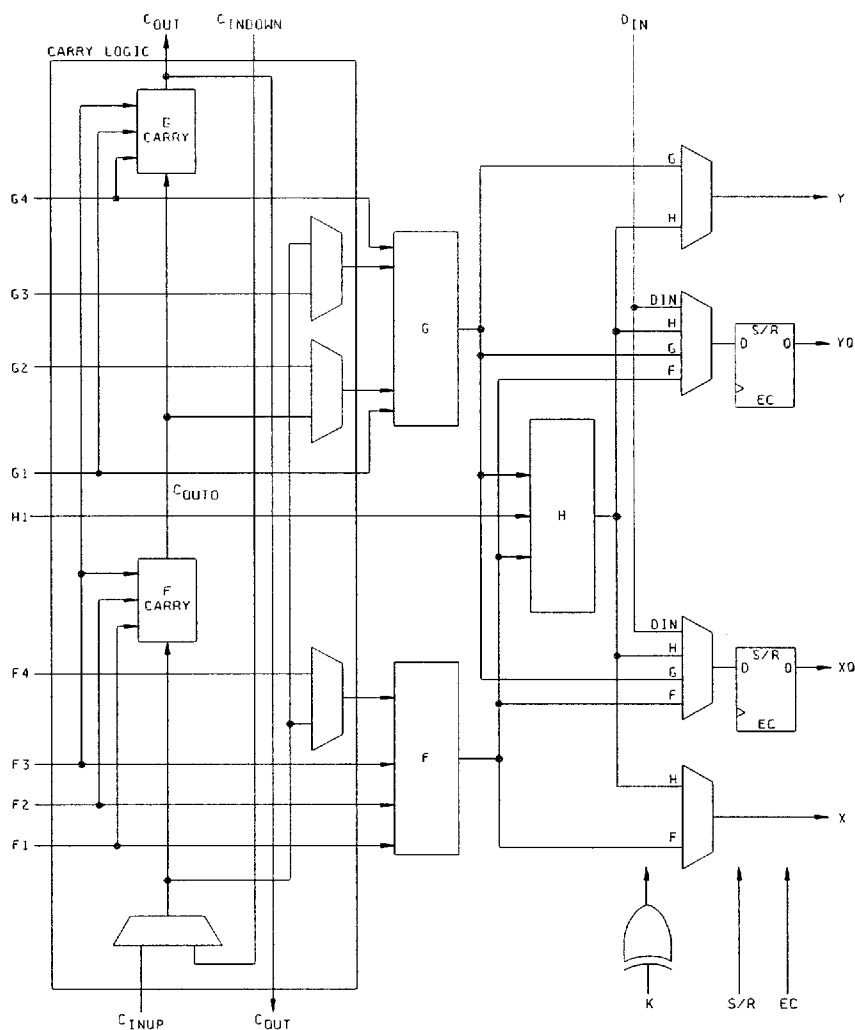


FIGURE 3. Logic block diagrams - Continued.

STANDARD MICROCIRCUIT DRAWING DEFENSE SUPPLY CENTER COLUMBUS COLUMBUS, OHIO 42316-5000	SIZE <b>A</b>		<b>5962-97523</b>
		REVISION LEVEL	SHEET <b>27</b>

DSCC FORM 2234  
APR 97

9004708 0031771 82T

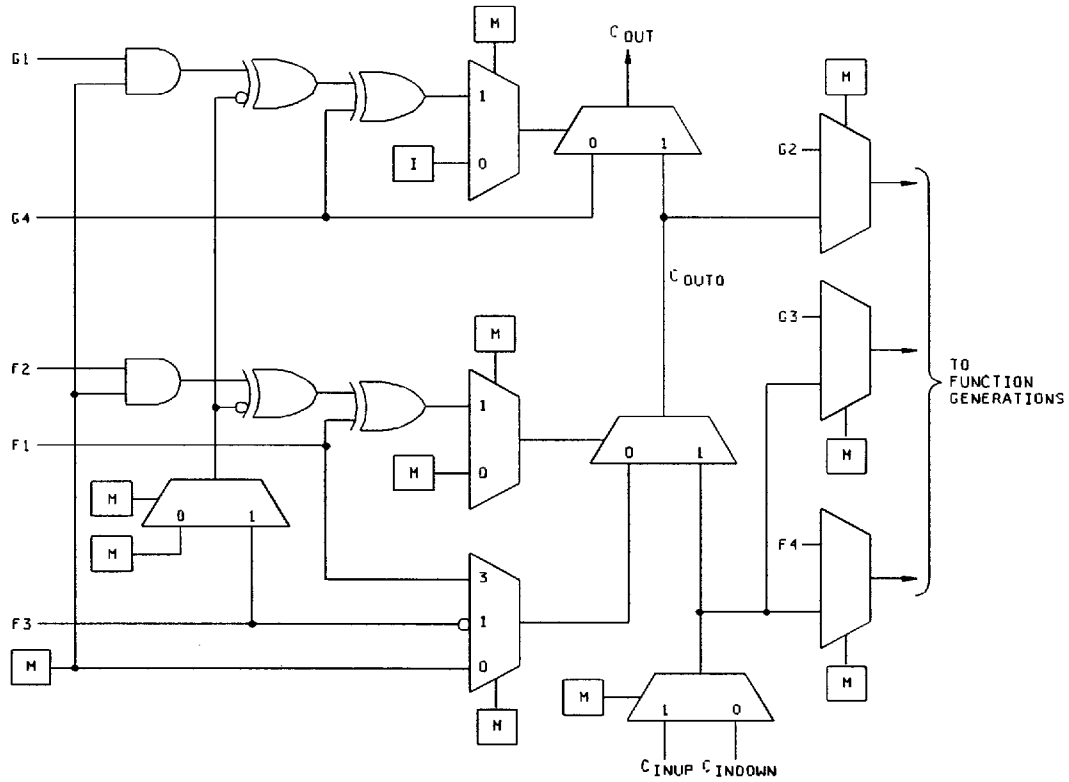


FIGURE 3. Logic block diagrams - Continued.

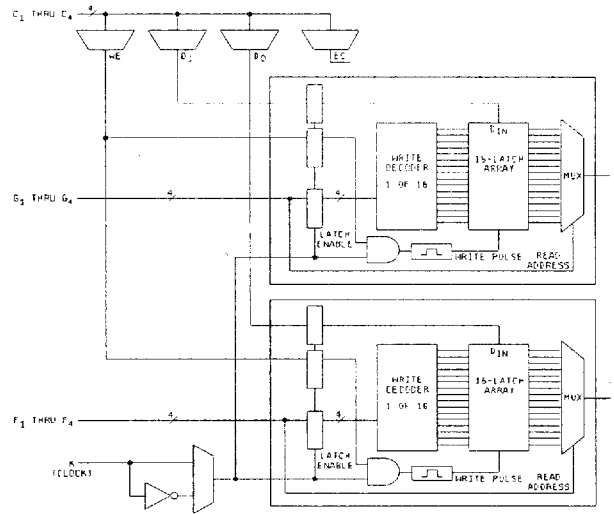
STANDARD  
MICROCIRCUIT DRAWING  
DEFENSE SUPPLY CENTER COLUMBUS  
COLUMBUS, OHIO 42316-5000

SIZE  
A

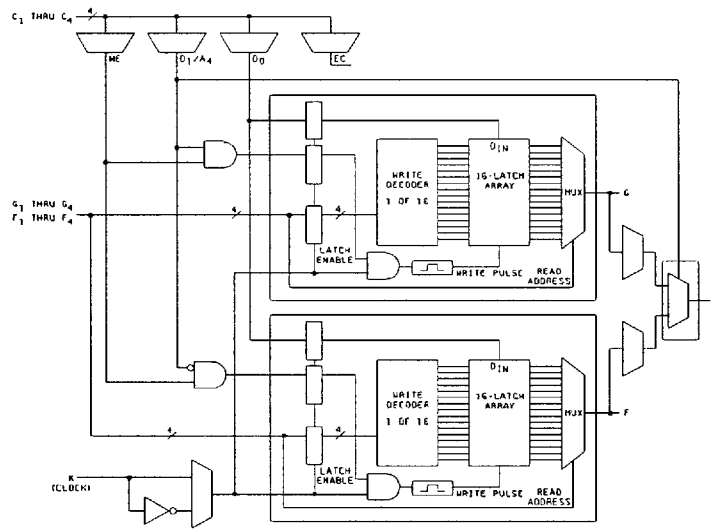
5962-97523

REVISION LEVEL

SHEET  
28



16 X 2 (or 16 X 1) edge-triggered single port RAM



1 edge-triggered single-port RAM (F and G addresses are identical)

32 X

FIGURE 3. Logic block diagrams - Continued.

STANDARD MICROCIRCUIT DRAWING DEFENSE SUPPLY CENTER COLUMBUS COLUMBUS, OHIO 42316-5000	SIZE <b>A</b>		<b>5962-97523</b>
		REVISION LEVEL	SHEET <b>29</b>

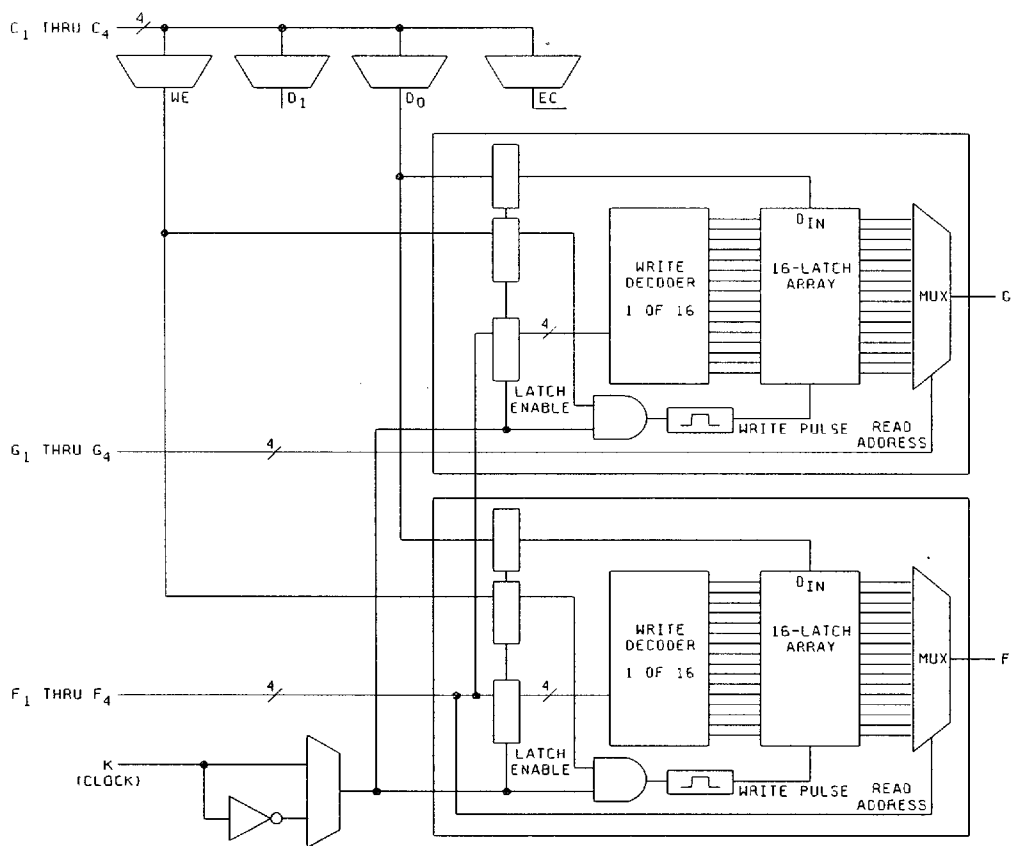


FIGURE 3. Logic block diagrams - Continued.

STANDARD MICROCIRCUIT DRAWING DEFENSE SUPPLY CENTER COLUMBUS COLUMBUS, OHIO 42316-5000	SIZE <b>A</b>		<b>5962-97523</b>
		REVISION LEVEL	SHEET <b>30</b>

DSCC FORM 2234  
APR 97

9004708 0031774 539

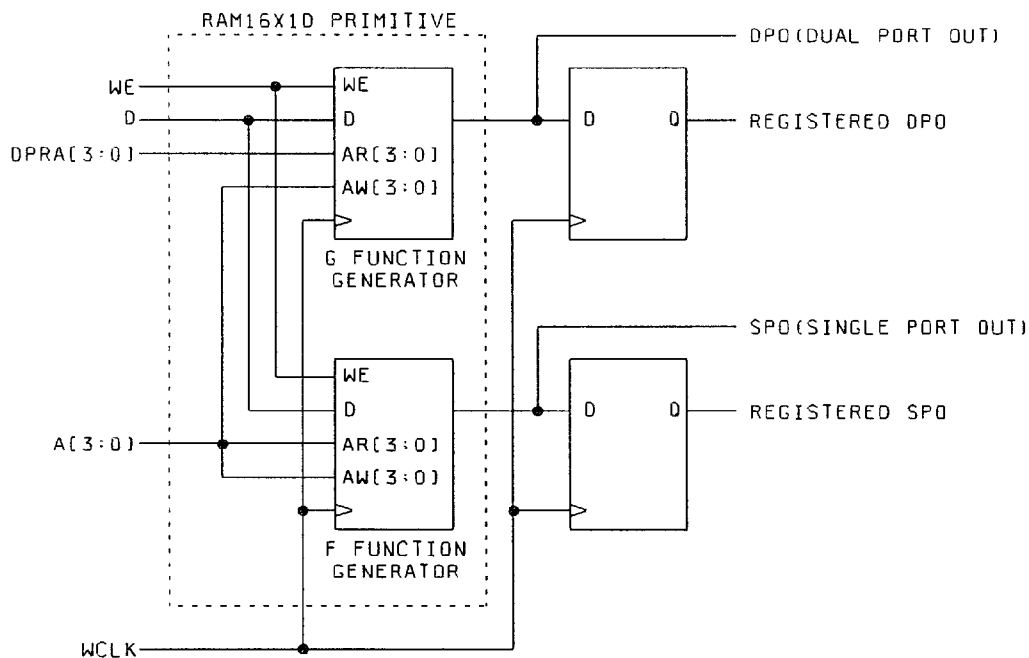


FIGURE 3. Logic block diagrams - Continued.

STANDARD MICROCIRCUIT DRAWING DEFENSE SUPPLY CENTER COLUMBUS COLUMBUS, OHIO 42316-5000	SIZE <b>A</b>		<b>5962-97523</b>
		REVISION LEVEL	SHEET <b>31</b>

DSCC FORM 2234  
APR 97

■ 9004708 0031775 475 ■

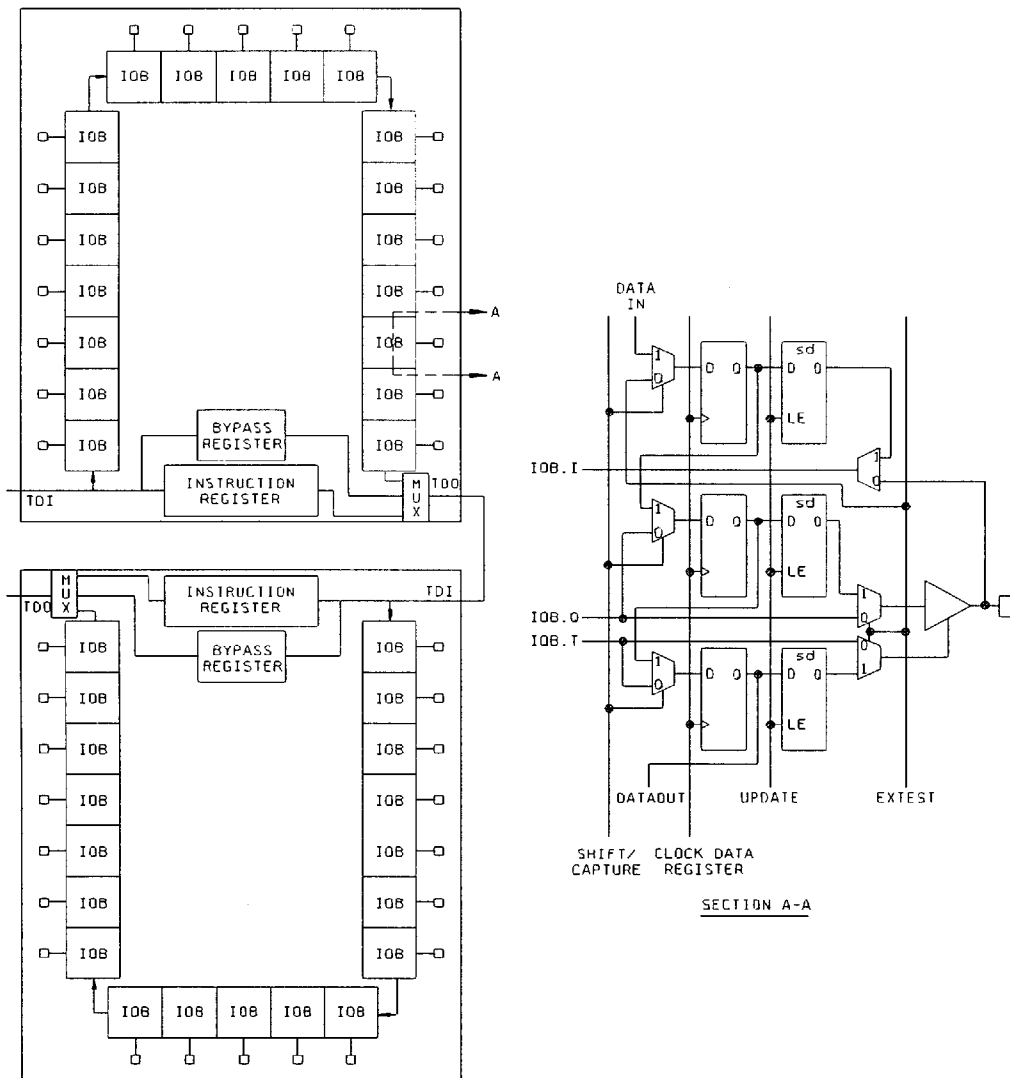


FIGURE 3. Logic block diagrams - Continued.

STANDARD  
MICROCIRCUIT DRAWING  
DEFENSE SUPPLY CENTER COLUMBUS  
COLUMBUS, OHIO 42316-5000

SIZE  
**A**

5962-97523

REVISION LEVEL

SHEET  
32



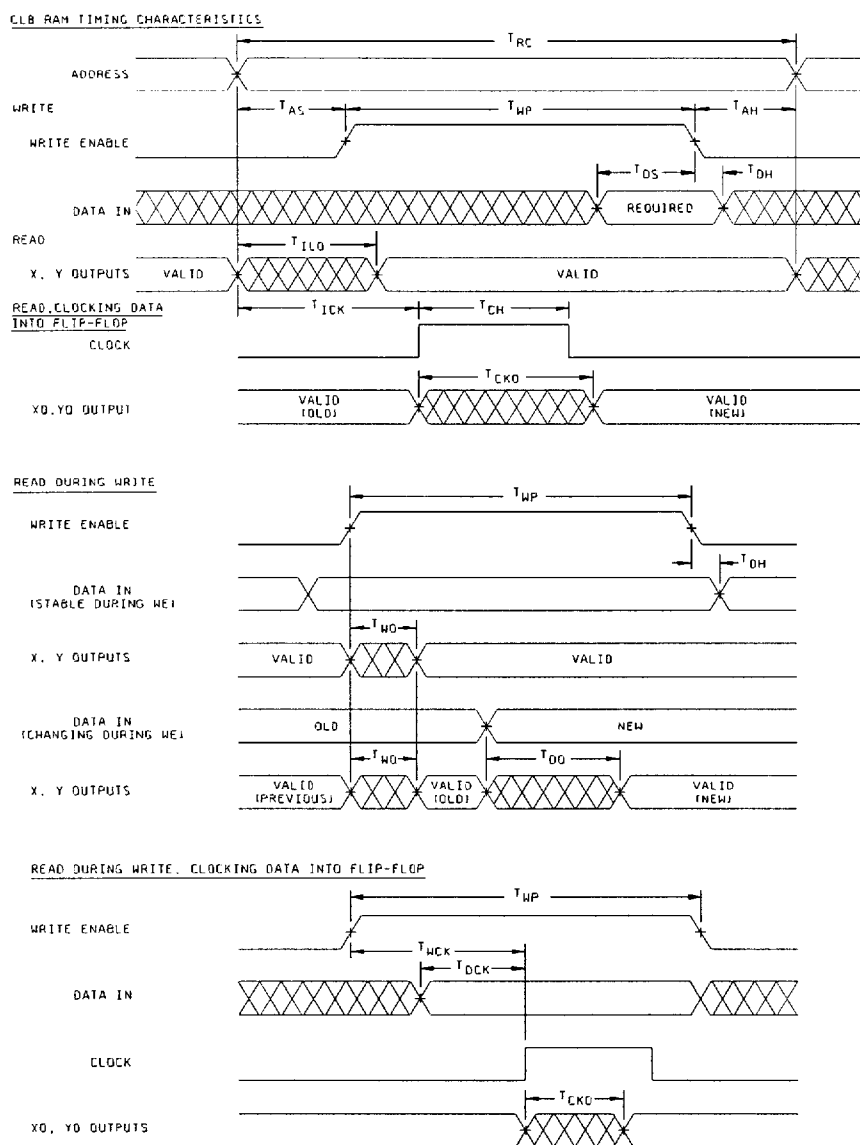


FIGURE 4. Timing diagrams and switching characteristics - Continued.

STANDARD MICROCIRCUIT DRAWING DEFENSE SUPPLY CENTER COLUMBUS COLUMBUS, OHIO 42316-5000	SIZE <b>A</b>		<b>5962-97523</b>
		REVISION LEVEL	SHEET <b>33</b>

I/O BLOCK (IOB) SWITCHING CHARACTERISTICS

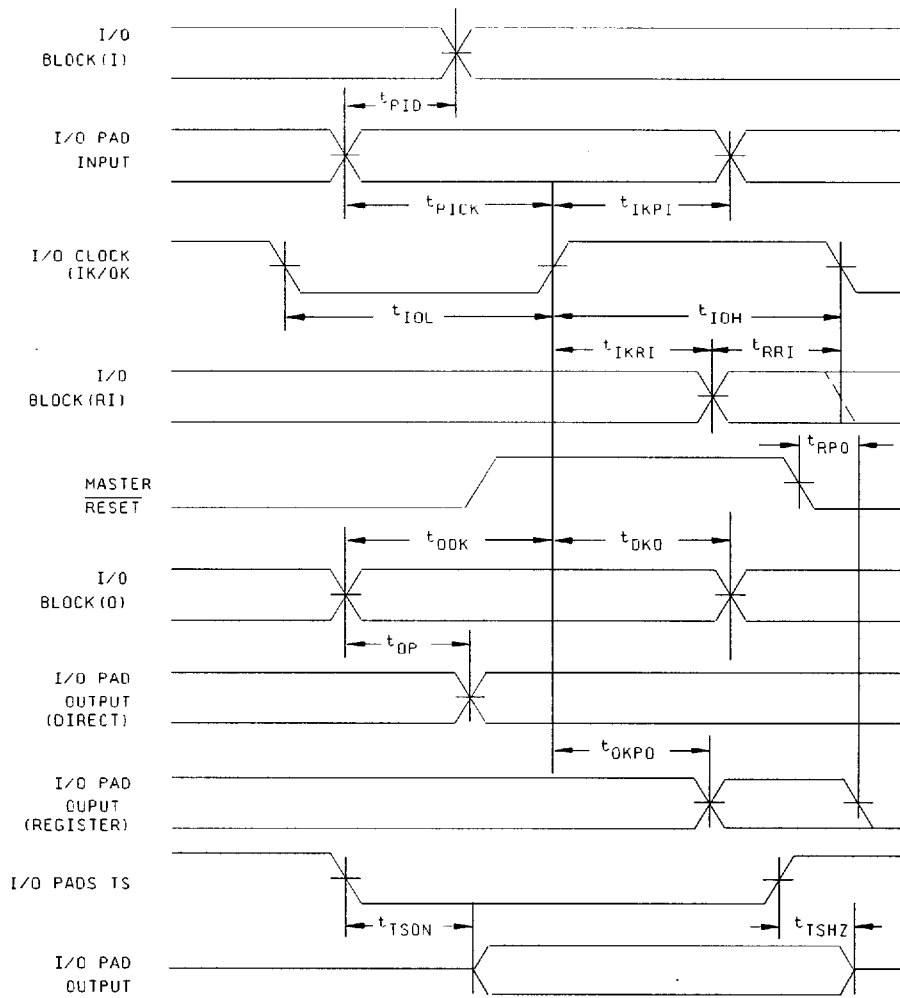


FIGURE 4. Timing diagrams and switching characteristics - Continued.

STANDARD MICROCIRCUIT DRAWING DEFENSE SUPPLY CENTER COLUMBUS COLUMBUS, OHIO 42316-5000	SIZE <b>A</b>		5962-97523
		REVISION LEVEL	SHEET 34

DSCC FORM 2234  
APR 97

9004708 0031778 184

SYNCHRONOUS RAM

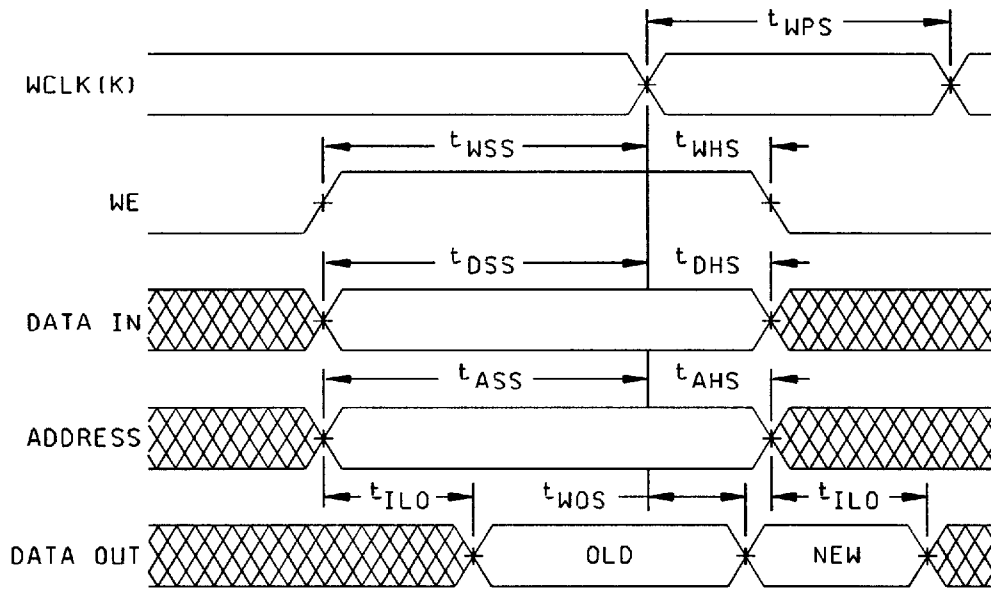


FIGURE 4. Timing diagrams and switching characteristics - Continued.

STANDARD MICROCIRCUIT DRAWING DEFENSE SUPPLY CENTER COLUMBUS COLUMBUS, OHIO 42316-5000	SIZE <b>A</b>		<b>5962-97523</b>
		REVISION LEVEL	SHEET <b>35</b>

DSCC FORM 2234  
APR 97

■ 9004708 0031779 010 ■

SYNCHRONOUS DUAL PORT RAM

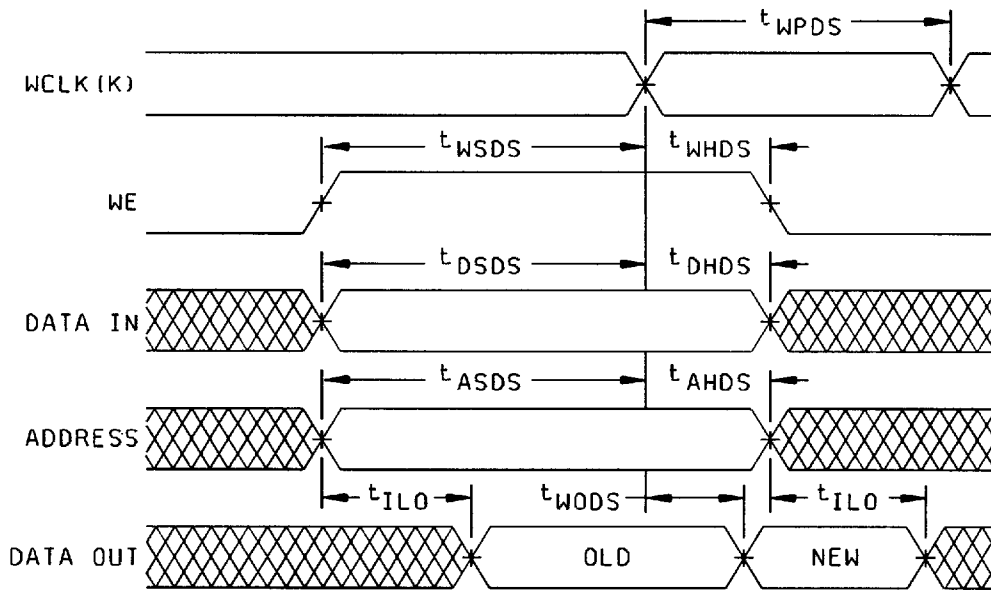
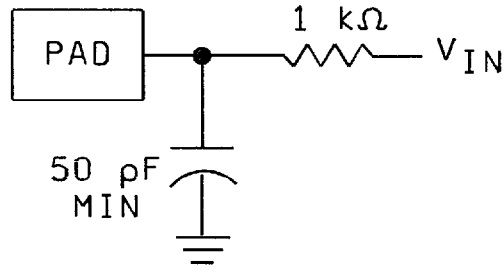


FIGURE 4. Timing diagrams and switching characteristics - Continued.

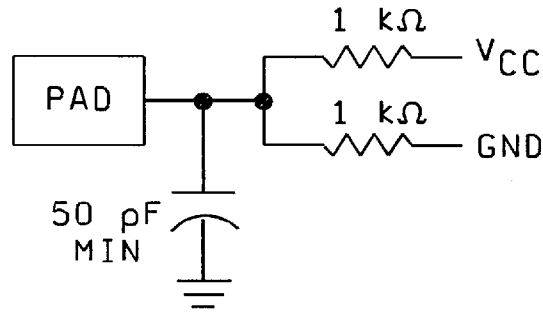
STANDARD MICROCIRCUIT DRAWING DEFENSE SUPPLY CENTER COLUMBUS COLUMBUS, OHIO 42316-5000	SIZE <b>A</b>		<b>5962-97523</b>
		REVISION LEVEL	SHEET <b>36</b>

DSCC FORM 2234  
APR 97

■ 9004708 0031780 832 ■



CIRCUIT A



CIRCUIT B

FIGURE 5. Load circuit.

STANDARD MICROCIRCUIT DRAWING DEFENSE SUPPLY CENTER COLUMBUS COLUMBUS, OHIO 42316-5000	SIZE <b>A</b>		<b>5962-97523</b>
		REVISION LEVEL	SHEET <b>37</b>

4.4.2 Group C inspection. The group C inspection end-point electrical parameters shall be as specified in table IIA herein.

4.4.2.1 Additional criteria for device class M. Steady-state life test conditions, method 1005 of MIL-STD-883:

- a. Test condition B. The test circuit shall be maintained by the manufacturer under document revision level control and shall be made available to the preparing or acquiring activity upon request. The test circuit shall specify the inputs, outputs, biases, and power dissipation, as applicable, in accordance with the intent specified in test method 1005.
- b.  $T_A = +125^\circ\text{C}$ , minimum.
- c. Test duration: 1,000 hours, except as permitted by method 1005 of MIL-STD-883.

4.4.2.2 Additional criteria for device classes Q and V. The steady-state life test duration, test condition and test temperature, or approved alternatives shall be as specified in the device manufacturer's QM plan in accordance with MIL-PRF-38535. The test circuit shall be maintained under document revision level control by the device manufacturer's TRB, in accordance with MIL-PRF-38535, and shall be made available to the acquiring or preparing activity upon request. The test circuit shall specify the inputs, outputs, biases, and power dissipation, as applicable, in accordance with the intent specified in test method 1005 of MIL-STD-883.

4.4.3 Group D inspection. The group D inspection end-point electrical parameters shall be as specified in table IIA herein.

4.4.4 Group E inspection. Group E inspection is required only for parts intended to be marked as radiation hardness assured (see 3.5 herein).

- a. End-point electrical parameters shall be as specified in table IIA herein.
- b. For device class M, the devices shall be subjected to radiation hardness assured tests as specified in MIL-PRF-38535, appendix A, for the RHA level being tested. For device classes Q and V, the devices or test vehicle shall be subjected to radiation hardness assured tests as specified in MIL-PRF-38535 for the RHA level being tested. All device classes must meet the postirradiation end-point electrical parameter limits as defined in table I at  $T_A = +25^\circ\text{C} \pm 5^\circ\text{C}$ , after exposure, to the subgroups specified in table IIA herein.
- c. When specified in the purchase order or contract, a copy of the RHA delta limits shall be supplied.

4.5 Delta measurements for device class V. Delta measurements, as specified in table IIA, shall be made and recorded before and after the required burn-in screens and steady-state life tests to determine delta compliance. The electrical parameters to be measured, with associated delta limits are listed in table IIB. The device manufacturer may, at his option, either perform delta measurements or within 24 hours after burn-in perform final electrical parameter tests, subgroups 1, 7, and 9.

4.6 Programming procedures. The programming procedures shall be as specified by the device manufacturer and shall be made available upon request.

## 5. PACKAGING

5.1 Packaging requirements. The requirements for packaging shall be in accordance with MIL-PRF-38535 for device classes Q and V or MIL-PRF-38535, appendix A for device class M.

STANDARD MICROCIRCUIT DRAWING DEFENSE SUPPLY CENTER COLUMBUS COLUMBUS, OHIO 42316-5000	SIZE <b>A</b>		<b>5962-97523</b>
		REVISION LEVEL	SHEET <b>38</b>

DSCC FORM 2234  
APR 97

■ 9004708 0031782 605 ■

Line no.	Test requirements	Subgroups (in accordance with MIL-STD-883, TM 5005, table I)	Subgroups (in accordance with MIL-PRF-38535, table III)	
		Device class M	Device class Q	Device class V
1	Interim electrical parameters (see 4.2)		1, 7, 9	1, 7, 9
2	Static burn-in (method 1015)	Required	Required	Required
3	Same as line 1			1* Δ
4	Dynamic burn-in (method 1015)	Not Required	Not Required	Not Required
5	Final electrical parameters (see 4.2)	1*, 2, 3, 7*, 8A, 8B, 9, 10, 11	1*, 2, 3, 7*, 8A, 8B, 9, 10, 11	1*, 2, 3, 7*, 8A, 8B, 9, 10, 11
6	Group A test requirements (see 4.4)	1, 2, 3, 4**, 7, 8A, 8B, 9, 10, 11	1, 2, 3, 4**, 7, 8A, 8B, 9, 10, 11	1, 2, 3, 4**, 7, 8A, 8B, 9, 10, 11
7	Group C end-point electrical parameters (see 4.4)	2, 3, 7, 8A, 8B	1, 2, 3, 7, 8A, 8B	1, 2, 3, 7, 8A, 8B, 9, 10, 11 Δ
8	Group D end-point electrical parameters (see 4.4)	2, 3, 8A, 8B	2, 3, 8A, 8B	2, 3, 8A, 8B
9	Group E end-point electrical parameters (see 4.4)	1, 7, 9	1, 7, 9	1, 7, 9

- 1/ Blank spaces indicate tests are not applicable.
- 2/ Any or all subgroups may be combined when using high-speed testers.
- 3/ Subgroups 7 and 8 functional tests shall verify the functionality of the device.
- 4/ \* indicates PDA applies to subgroup 1 and 7.
- 5/ \*\* see 4.4.1e.
- 6/ Δ indicates delta limit (see table IIB) shall be required where specified, and the delta values shall be computed with reference to the previous interim electrical parameters (see line 1).
- 7/ See 4.4.1d.

<b>STANDARD MICROCIRCUIT DRAWING DEFENSE SUPPLY CENTER COLUMBUS COLUMBUS, OHIO 42316-5000</b>	SIZE <b>A</b>		<b>5962-97523</b>
		REVISION LEVEL	SHEET <b>39</b>

TABLE IIB. Delta limits at +25°C.

Parameter <sup>1/</sup>	Device types
	All
I <sub>CCO</sub> standby	±1 mA of specified limit in table I.
I <sub>IL</sub>	±1 μA of specified limit in table I.

<sup>1/</sup> The above parameter shall be recorded before and after the required burn-in and life tests to determine the delta.

6. NOTES

(This section contains information of a general or explanatory nature that may be helpful, but is not mandatory.)

6.1 Intended use. Microcircuits conforming to this drawing are intended for use for Government microcircuit applications (original equipment), design applications, and logistics purposes.

6.1.1 Replaceability. Microcircuits covered by this drawing will replace the same generic device covered by a contractor-prepared specification or drawing.

6.1.2 Substitutability. Device class Q devices will replace device class M devices.

6.2 Configuration control of SMD's. All proposed changes to existing SMD's will be coordinated with the users of record for the individual documents. This coordination will be accomplished in accordance with MIL-STD-973 using DD Form 1692, Engineering Change Proposal.

6.3 Record of users. Military and industrial users shall inform Defense Supply Center Columbus when a system application requires configuration control and which SMD's are applicable to that system. DSCC will maintain a record of users and this list will be used for coordination and distribution of changes to the drawings. Users of drawings covering microelectronic devices (FSC 5962) should contact DSCC-VA, telephone (614) 692-0525.

6.4 Comments. Comments on this drawing should be directed to DSCC-VA, Columbus, Ohio 43216-5000, or telephone (614) 692-0674.

6.5 Abbreviations, symbols, and definitions. The abbreviations, symbols, and definitions used herein are defined in MIL-PRF-38535 and MIL-HDBK-1331.

V <sub>CC</sub>	-----	+5.0 V SUPPLY VOLTAGE
GND	-----	GROUND
CCLK	-----	CONFIGURATION CLOCK
DONE	-----	DONE
PROGRAM	-----	PROGRAM
RCLK	-----	READ CLOCK
M0	-----	MODE 0
M1	-----	MODE 1
M2	-----	MODE 2
TDO	-----	TEST DATA OUTPUT
TDI	-----	TEST DATA IN
TCK	-----	TEST CLOCK
TMS	-----	TEST MODE SELECT
HDC	-----	HIGH DURING CONFIGURATION

STANDARD MICROCIRCUIT DRAWING DEFENSE SUPPLY CENTER COLUMBUS COLUMBUS, OHIO 42316-5000	SIZE <b>A</b>		5962-97523
		REVISION LEVEL	SHEET 40



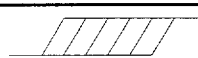
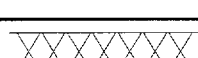



6.5.1 Waveforms, symbols, and definitions - Continued.

LDC	-----	LOW DURING CONFIGURATION
INIT	-----	INITIAL
PGCK1-PGCK4	-----	PRIMARY GLOBAL INPUTS
RDY/BUSY	-----	During peripheral parallel mode configuration, this pin indicates when the chip is ready for another byte of data to be written into it. After configuration is complete, this pin becomes a user programmed I/O pin.
CS0	-----	CHIP SELECT, WRITE
CS1	-----	CHIP SELECT, WRITE
WS	-----	WRITE STROBE
RS	-----	READ STROBE
A0-A17	-----	ADDRESS
D0-D7	-----	DATA
DIN	-----	DATA INPUT
DOUT	-----	DATA OUTPUT
I/O	-----	INPUT/OUTPUT

6.5.1 Timing limits. The table of timing values shows either a minimum or a maximum limit for each parameter. Input requirements are specified from the external system point of view. Thus, address setup time is shown as a minimum since the system must supply at least that much time (even though most devices do not require it). On the other hand, responses from the memory are specified from the device point of view. Thus, the access time is shown as a maximum since the device never provides data later than that time.

6.5.2 Waveforms.

Waveform symbol	Input	Output
	MUST BE VALID	WILL BE VALID
	CHANGE FROM H TO L	WILL CHANGE FROM H TO L
	CHANGE FROM L TO H	WILL CHANGE FROM L TO H
	DON'T CARE ANY CHANGE PERMITTED	CHANGING STATE UNKNOWN
		HIGH IMPEDANCE

6.6 Sources of supply.

6.6.1 Sources of supply for device classes Q and V. Sources of supply for device classes Q and V are listed in QML-38535. The vendors listed in QML-38535 have submitted a certificate of compliance (see 3.6 herein) to DSCC-VA and have agreed to this drawing.

6.6.2 Approved sources of supply for device class M. Approved sources of supply for class M are listed in MIL-HDBK-103. The vendors listed in MIL-HDBK-103 have agreed to this drawing and a certificate of compliance (see 3.6 herein) has been submitted to and accepted by DSCC-VA.

STANDARD MICROCIRCUIT DRAWING DEFENSE SUPPLY CENTER COLUMBUS COLUMBUS, OHIO 42316-5000	SIZE <b>A</b>		<b>5962-97523</b>
		REVISION LEVEL	SHEET <b>41</b>

BUFFER SWITCHING CHARACTERISTICS

Test	Symbol	Conditions -55°C ≤ T <sub>C</sub> ≤ +125°C 4.5 V ≤ V <sub>CC</sub> ≤ 5.5 V unless otherwise specified	Group A subgroups	Device type	Limits		Unit
					Min	Max	
TBUF driving a horizontal Longline (L.L.) I to L.L. while T is low (buffer active)	T <sub>IO1</sub>	See note.	N/A	All		6.0	ns
TBUF driving a horizontal Longline (L.L.) I going low to L.L. going from resistive pull up high to active low, (TBUF configured as open drain)	T <sub>IO2</sub>					10.5	
T going low to L.L. active and valid	T <sub>ON</sub>					8.5	
T to L.L. inactive	T <sub>OFF</sub>					3.0	
T going high to L.L. (inactive) with single pull-up resistor	T <sub>PUS</sub>					29	
T going high to L.L. (inactive) with pair of pull-up resistor	T <sub>PUF</sub>					13.5	

NOTE: These values are typical. They are not tested, characterized, or guaranteed but are derived from benchmark timing patterns.

STANDARD MICROCIRCUIT DRAWING DEFENSE SUPPLY CENTER COLUMBUS COLUMBUS, OHIO 42316-5000	SIZE <b>A</b>		<b>5962-97523</b>
		REVISION LEVEL	SHEET <b>42</b>

## 查询"5962-9752301QXC"供应商

### STANDARDIZED MILITARY DRAWING SOURCE APPROVAL BULLETIN

DATE: 97-07-31

Approved sources of supply for SMD 5962-97523 are listed below for immediate acquisition information only and shall be added to MIL-HDBK-103 and QML-38535 during the next revision. MIL-HDBK-103 and QML-38535 will be revised to include the addition or deletion of sources. The vendors listed below have agreed to this drawing and a certificate of compliance has been submitted to and accepted by DSCC-VA. This bulletin is superseded by the next dated revision of MIL-HDBK-103 and QML-38535.

Standard microcircuit drawing PIN <u>1/</u>	Vendor CAGE number	Vendor similar PIN <u>2/</u>
5962-9752301QXC	68994	XC4010E-4PG191B
5962-9752301QYC	68994	XC4010E-4CB196B
5962-9752301QZC	68994	XC4010E-4CB196B

- 1/ The lead finish shown for each PIN representing a hermetic package is the most readily available from the manufacturer listed for that part. If the desired lead finish is not listed contact the Vendor to determine its availability.
- 2/ Caution. Do not use this number for item acquisition. Items acquired to this number may not satisfy the performance requirements of this drawing.

Vendor CAGE  
number

68994

Vendor name  
and address

Xilinx, Incorporated  
2100 Logic Drive  
San Jose, CA 95124

The information contained herein is disseminated for convenience only and the Government assumes no liability whatsoever for any inaccuracies in this information bulletin.

■ 9004708 0031787 197 ■