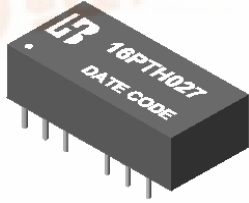


10/100/1000 PC CARD LAN MAGNETICS SOLUTIONS

P/N: 16PTH027 DATA SHEET

Feature



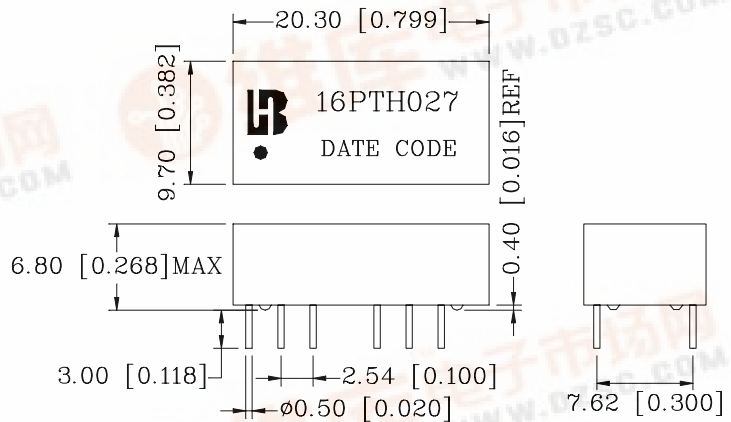
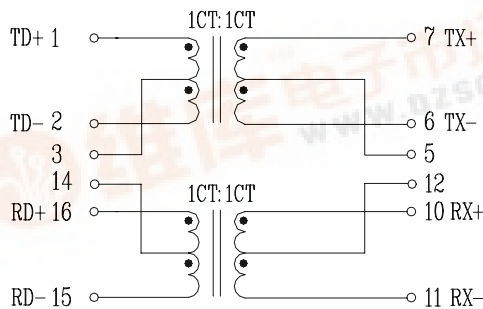
- Designed for 10/100/1000 MB/s transmission over UTP-5 cable.
- Cable interface for isolation and low common mode Emissions.
- Operating temperature range: 0°C to +70°C.
- Storage temperature range: -25°C to +105°C.

Electrical Specifications @ 25°C

Part Number	Turns Ratio (±5%)		OCL (uH Min) @ 100KHz/0.1V with 8mA DC Bias	C <sub>ww</sub> (pF Max)	L.L (uH Max)	HI-POT (Vrms)
	TX	RX				
16PTH027	1CT:1CT	1CT:1CT	350	28	0.6	1500
Continue						
Part Number	Insertion Loss (dB Max)	Return Loss (dB Min)			Cross talk (dB Min)	DCMR (dB Min)
	0.3-100MHz	30MHz	60MHz	80MHz	0.3-100MHz	0.3-100MHz
16PTH027	-1.1	-14	-12	-10	-35	-30

Schematic

Mechanical



Units: mm [Inches] Tolerances: xx.x0±0.25 [0.010]  
0.xx±0.05 [0.002]

