

# Precision Air-Core Tach/Speedo Driver with Return to Zero

The CS8190 is specifically designed for use with air-core meter movements. The IC provides all the functions necessary for an analog tachometer or speedometer. The CS8190 takes a speed sensor input and generates sine and cosine related output signals to differentially drive an air-core meter.

Many enhancements have been added over industry standard tachometer drivers such as the CS289 or LM1819. The output utilizes differential drivers which eliminates the need for a zener reference and offers more torque. The device withstands 60 V transients which decreases the protection circuitry required. The device is also more precise than existing devices allowing for fewer trims and for use in a speedometer.

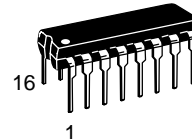
## Features

- Direct Sensor Input
- High Output Torque
- Low Pointer Flutter
- High Input Impedance
- Overvoltage Protection
- Return to Zero
- Internally Fused Leads in PDIP-16 and SO-20W Packages
- Pb-Free Packages are Available\*

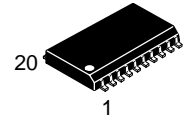


**ON Semiconductor®**

<http://onsemi.com>

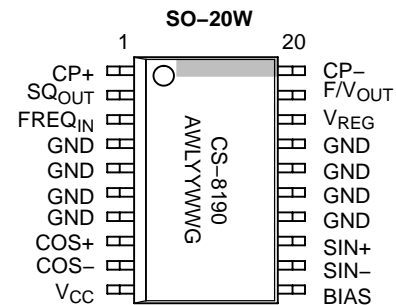
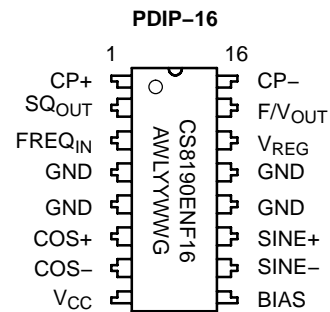


**PDIP-16**  
**NF SUFFIX**  
**CASE 648**



**SO-20W**  
**DWF SUFFIX**  
**CASE 751D**

## PIN CONNECTIONS AND MARKING DIAGRAM



- A = Assembly Location
- WL = Wafer Lot
- YY = Year
- WW = Work Week
- G = Pb-Free Package

## ORDERING INFORMATION

See detailed ordering and shipping information in the package dimensions section on page 10 of this data sheet.

\*For additional information on our Pb-Free strategy and soldering details, please download the ON Semiconductor Soldering and Mounting Techniques Reference Manual, SOLDERRM/D.

# CS8190

[查询"CS8190EDWF20G"供应商](#)

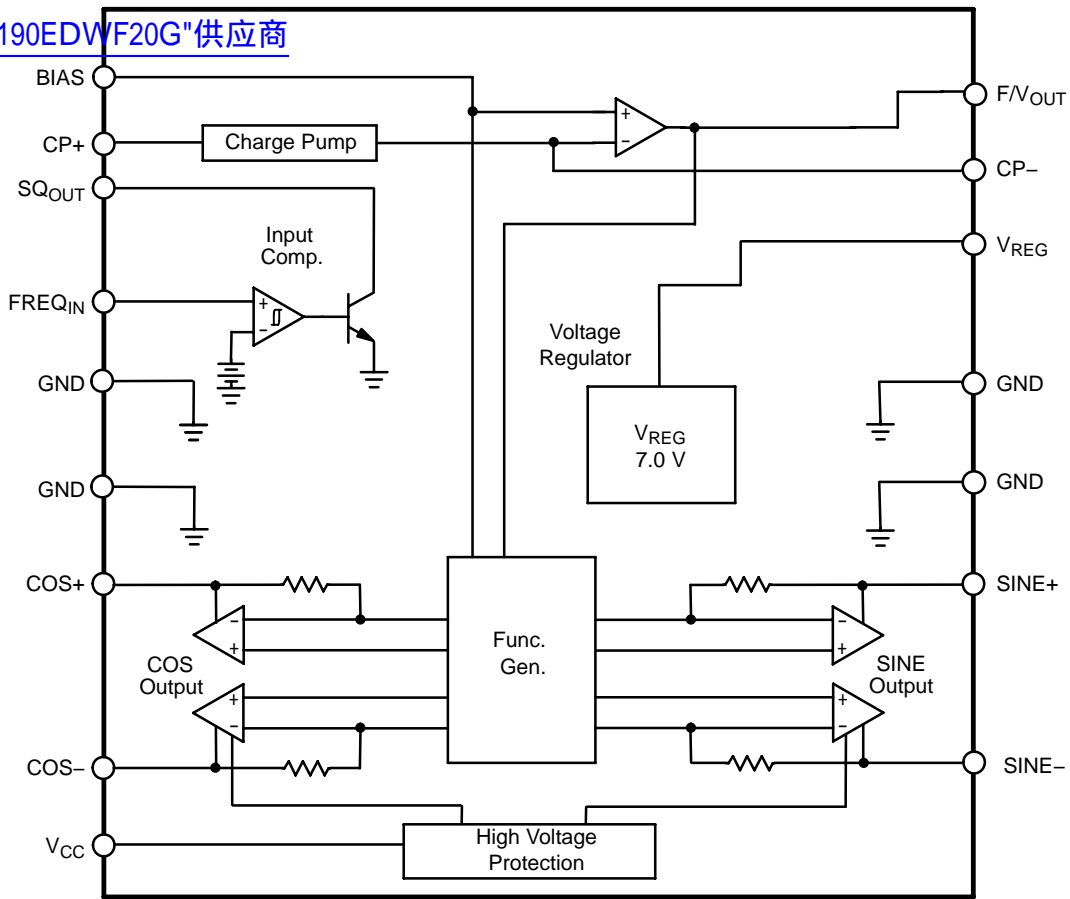


Figure 1. Block Diagram

## ABSOLUTE MAXIMUM RATINGS

Rating	Value	Unit
Supply Voltage, V <sub>CC</sub>	< 100 ms Pulse Transient 24 Continuous	V V
Operating Temperature	-40 to +105	°C
Storage Temperature	-40 to +165	°C
Junction Temperature	-40 to +150	°C
ESD (Human Body Model)	4.0	kV
Lead Temperature Soldering: Wave Solder (through hole styles only) (Note 1) Reflow: (SMD styles only) (Note 2)	260 peak 230 peak	°C °C

Stresses exceeding Maximum Ratings may damage the device. Maximum Ratings are stress ratings only. Functional operation above the Recommended Operating Conditions is not implied. Extended exposure to stresses above the Recommended Operating Conditions may affect device reliability.

1. 10 seconds maximum.
2. 60 second maximum above 183°C.

# CS8190

**ELECTRICAL CHARACTERISTICS** ( $-40^{\circ}\text{C} \leq T_A \leq 85^{\circ}\text{C}$ ,  $8.5\text{ V} \leq V_{\text{CC}} \leq 15\text{ V}$ , unless otherwise specified.)

Characteristic	Test Conditions	Min	Typ	Max	Unit
----------------	-----------------	-----	-----	-----	------

## SUPPLY VOLTAGE SECTION

$I_{\text{CC}}$ Supply Current	$V_{\text{CC}} = 16\text{ V}$ , $-40^{\circ}\text{C}$ , No Load	–	50	125	mA
$V_{\text{CC}}$ Normal Operation Range	–	8.5	13.1	16	V

## INPUT COMPARATOR SECTION

Positive Input Threshold	–	1.0	2.0	3.0	V
Input Hysteresis	–	200	500	–	mV
Input Bias Current (Note 3)	$0\text{ V} \leq V_{\text{IN}} \leq 8.0\text{ V}$	–	–10	–80	$\mu\text{A}$
Input Frequency Range	–	0	–	20	kHz
Input Voltage Range	in series with $1.0\text{ k}\Omega$	–1.0	–	$V_{\text{CC}}$	V
Output $V_{\text{SAT}}$	$I_{\text{CC}} = 10\text{ mA}$	–	0.15	0.40	V
Output Leakage	$V_{\text{CC}} = 7.0\text{ V}$	–	–	10	$\mu\text{A}$
Low $V_{\text{CC}}$ Disable Threshold	–	7.0	8.0	8.5	V
Logic 0 Input Voltage	–	1.0	–	–	V

## VOLTAGE REGULATOR SECTION

Output Voltage	–	6.25	7.00	7.50	V
Output Load Current	–	–	–	10	mA
Output Load Regulation	0 to 10 mA	–	10	50	mV
Output Line Regulation	$8.5\text{ V} \leq V_{\text{CC}} \leq 16\text{ V}$	–	20	150	mV
Power Supply Rejection	$V_{\text{CC}} = 13.1\text{ V}$ , $1.0\text{ V}_{\text{P/P}}$ , $1.0\text{ kHz}$	34	46	–	dB

## CHARGE PUMP SECTION

Inverting Input Voltage	–	1.5	2.0	2.5	V
Input Bias Current	–	–	40	150	nA
$V_{\text{BIAS}}$ Input Voltage	–	1.5	2.0	2.5	V
Non Invert. Input Voltage	$I_{\text{IN}} = 1.0\text{ mA}$	–	0.7	1.1	V
Linearity (Note 4)	@ 0, 87.5, 175, 262.5, + 350 Hz	–0.10	0.28	+0.70	%
$F/V_{\text{OUT}}$ Gain	@ 350 Hz, $C_{\text{CP}} = 0.0033\text{ }\mu\text{F}$ , $R_{\text{T}} = 243\text{ k}\Omega$	7.0	10	13	mV/Hz
Norton Gain, Positive	$I_{\text{IN}} = 15\text{ }\mu\text{A}$	0.9	1.0	1.1	/
Norton Gain, Negative	$I_{\text{IN}} = 15\text{ }\mu\text{A}$	0.9	1.0	1.1	/

## FUNCTION GENERATOR SECTION: $-40^{\circ}\text{C} \leq T_A \leq 85^{\circ}\text{C}$ , $V_{\text{CC}} = 13.1\text{ V}$ unless otherwise noted

Return to Zero Threshold	$T_A = 25^{\circ}\text{C}$	5.2	6.0	7.0	V
Differential Drive Voltage, ( $V_{\text{COS+}} - V_{\text{COS-}}$ )	$8.5\text{ V} \leq V_{\text{CC}} \leq 16\text{ V}$ , $\theta = 0^{\circ}$	5.5	6.5	7.5	V
Differential Drive Voltage, ( $V_{\text{SIN+}} - V_{\text{SIN-}}$ )	$8.5\text{ V} \leq V_{\text{CC}} \leq 16\text{ V}$ , $\theta = 90^{\circ}$	5.5	6.5	7.5	V
Differential Drive Voltage, ( $V_{\text{COS+}} - V_{\text{COS-}}$ )	$8.5\text{ V} \leq V_{\text{CC}} \leq 16\text{ V}$ , $\theta = 180^{\circ}$	–7.5	–6.5	–5.5	V
Differential Drive Voltage, ( $V_{\text{SIN+}} - V_{\text{SIN-}}$ )	$8.5\text{ V} \leq V_{\text{CC}} \leq 16\text{ V}$ , $\theta = 270^{\circ}$	–7.5	–6.5	–5.5	V
Differential Drive Current	$8.5\text{ V} \leq V_{\text{CC}} \leq 16\text{ V}$	–	33	42	mA
Zero Hertz Output Angle	–	–1.5	0	1.5	deg

3. Input is clamped by an internal 12 V Zener.

4. Applies to % of full scale ( $270^{\circ}$ ).

# CS8190

## ELECTRICAL CHARACTERISTICS (–40°C ≤ T<sub>A</sub> ≤ 85°C, 8.5 V ≤ V<sub>CC</sub> ≤ 15 V, unless otherwise specified.)

Characteristic	Test Conditions	Min	Typ	Max	Unit
----------------	-----------------	-----	-----	-----	------

### FUNCTION GENERATOR SECTION: –40°C ≤ T<sub>A</sub> ≤ 85°C, V<sub>CC</sub> = 13.1 V unless otherwise noted (continued)

Function Generator Error (Note 5) Reference Figures 2, 3, 4, 5	V <sub>CC</sub> = 13.1 V θ = 0° to 305°	–2.0	0	+2.0	deg
Function Generator Error	13.1 V ≤ V <sub>CC</sub> ≤ 16 V	–2.5	0	+2.5	deg
Function Generator Error	13.1 V ≤ V <sub>CC</sub> ≤ 11 V	–1.0	0	+1.0	deg
Function Generator Error	13.1 V ≤ V <sub>CC</sub> ≤ 9.0 V	–3.0	0	+3.0	deg
Function Generator Error	25°C ≤ T <sub>A</sub> ≤ 80°C	–3.0	0	+3.0	deg
Function Generator Error	25°C ≤ T <sub>A</sub> ≤ 105°C	–5.5	0	+5.5	deg
Function Generator Error	–40°C ≤ T <sub>A</sub> ≤ 25°C	–3.0	0	+3.0	deg
Function Generator Gain	T <sub>A</sub> = 25°C, θ vs F/V <sub>OUT</sub>	60	77	95	°/V

5. Deviation from nominal per Table 1 after calibration at 0° and 270°.

## PIN FUNCTION DESCRIPTION

PACKAGE PIN #		PIN SYMBOL	FUNCTION
PDIP–16	SO–20W		
1	1	CP+	Positive input to charge pump.
2	2	SQ <sub>OUT</sub>	Buffered square wave output signal.
3	3	FREQ <sub>IN</sub>	Speed or RPM input signal.
4, 5, 12, 13	4–7, 14–17	GND	Ground Connections.
6	8	COS+	Positive cosine output signal.
7	9	COS–	Negative cosine output signal.
8	10	V <sub>CC</sub>	Ignition or battery supply voltage.
9	11	BIAS	Test point or zero adjustment.
10	12	SIN–	Negative sine output signal.
11	13	SIN+	Positive sine output signal.
14	18	V <sub>REG</sub>	Voltage regulator output.
15	19	F/V <sub>OUT</sub>	Output voltage proportional to input signal frequency.
16	20	CP–	Negative input to charge pump.

TYPICAL PERFORMANCE CHARACTERISTICS

[查询"CS8190EDWF20G"供应商](#)

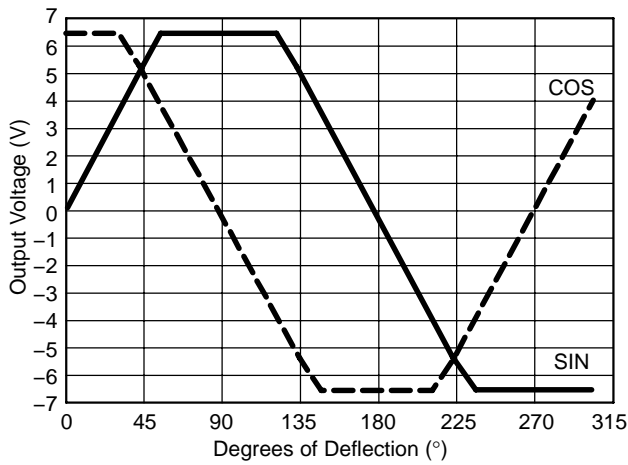


Figure 2. Function Generator Output Voltage vs. Degrees of Deflection

$$F/V_{OUT} = 2.0 V + 2.0 \times \text{FREQ} \times C_{CP} \times R_T \times (V_{REG} - 0.7 V)$$

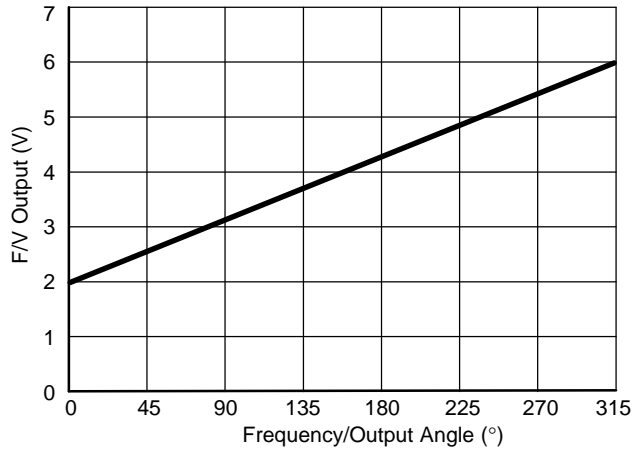


Figure 3. Charge Pump Output Voltage vs. Output Angle

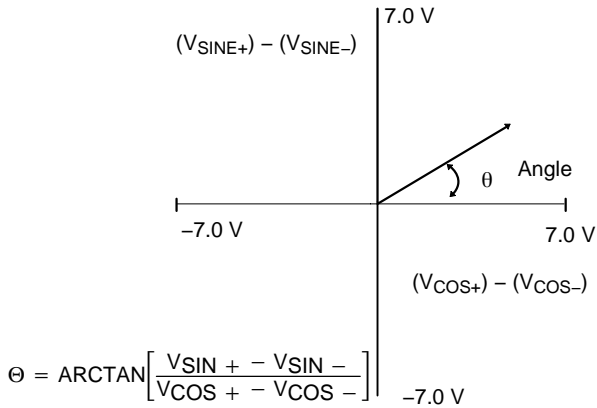


Figure 4. Output Angle in Polar Form

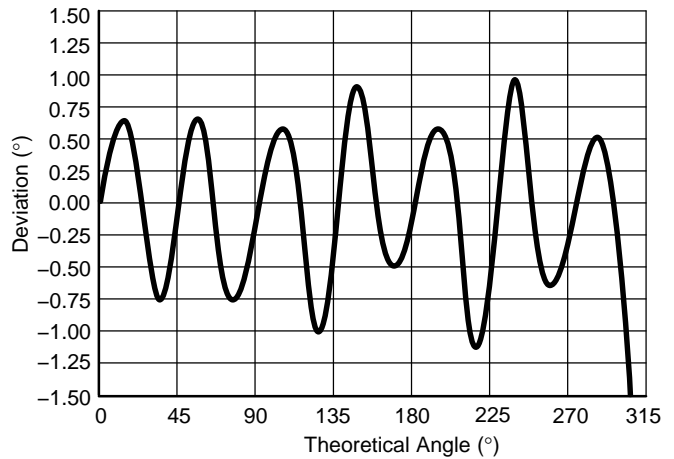


Figure 5. Nominal Output Deviation

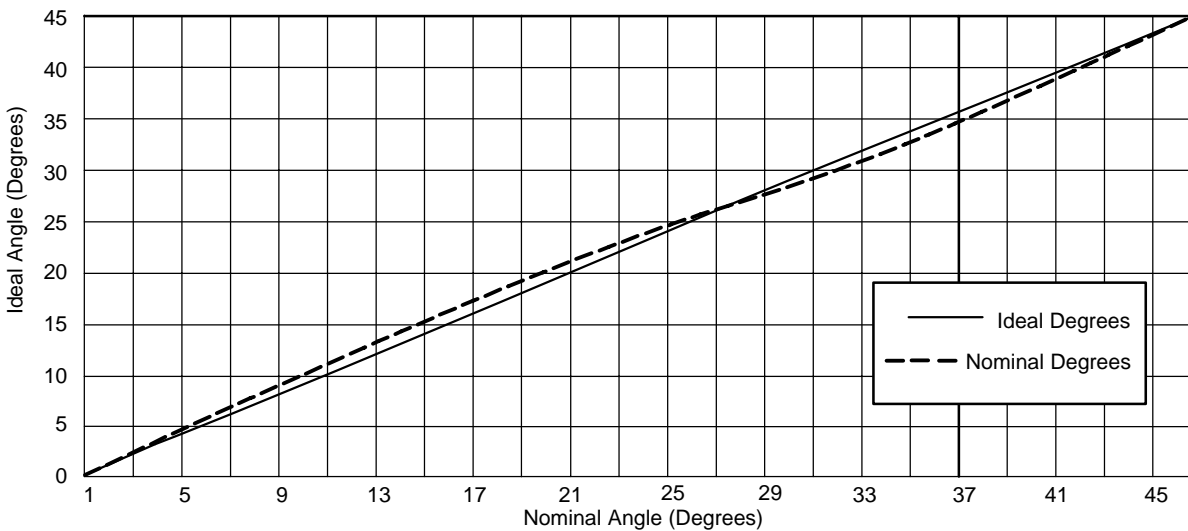


Figure 6. Nominal Angle vs. Ideal Angle (After Calibrating at 180°)

Table 1. Function Generator Output Nominal Angle vs. Ideal Angle (After Calibrating at 270°)

Ideal $\theta$ Degrees	Nominal $\theta$ Degrees	Ideal $\theta$ Degrees	Nominal $\theta$ Degrees	Ideal $\theta$ Degrees	Nominal $\theta$ Degrees	Ideal $\theta$ Degrees	Nominal $\theta$ Degrees	Ideal $\theta$ Degrees	Nominal $\theta$ Degrees	Ideal $\theta$ Degrees	Nominal $\theta$ Degrees
0	0	17	17.98	34	33.04	75	74.00	160	159.14	245	244.63
1	1.09	18	18.96	35	34.00	80	79.16	165	164.00	250	249.14
2	2.19	19	19.92	36	35.00	85	84.53	170	169.16	255	254.00
3	3.29	20	20.86	37	36.04	90	90.00	175	174.33	260	259.16
4	4.38	21	21.79	38	37.11	95	95.47	180	180.00	265	264.53
5	5.47	22	22.71	39	38.21	100	100.84	185	185.47	270	270.00
6	6.56	23	23.61	40	39.32	105	106.00	190	190.84	275	275.47
7	7.64	24	24.50	41	40.45	110	110.86	195	196.00	280	280.84
8	8.72	25	25.37	42	41.59	115	115.37	200	200.86	285	286.00
9	9.78	26	26.23	43	42.73	120	119.56	205	205.37	290	290.86
10	10.84	27	27.07	44	43.88	125	124.00	210	209.56	295	295.37
11	11.90	28	27.79	45	45.00	130	129.32	215	214.00	300	299.21
12	12.94	29	28.73	50	50.68	135	135.00	220	219.32	305	303.02
13	13.97	30	29.56	55	56.00	140	140.68	225	225.00		
14	14.99	31	30.39	60	60.44	145	146.00	230	230.58		
15	16.00	32	31.24	65	64.63	150	150.44	235	236.00		
16	17.00	33	32.12	70	69.14	155	154.63	240	240.44		

Note: Temperature, voltage and nonlinearity not included.

**CIRCUIT DESCRIPTION and APPLICATION NOTES**

The CS8190 is specifically designed for use with air-core meter movements. It includes an input comparator for sensing an input signal from an ignition pulse or speed sensor, a charge pump for frequency to voltage conversion, a bandgap voltage regulator for stable operation, and a function generator with sine and cosine amplifiers to differentially drive the meter coils.

From the partial schematic of Figure 7, the input signal is applied to the  $FREQ_{IN}$  lead, this is the input to a high impedance comparator with a typical positive input threshold of 2.0 V and typical hysteresis of 0.5 V. The output of the comparator,  $SQ_{OUT}$ , is applied to the charge pump input  $CP+$  through an external capacitor  $C_{CP}$ . When the input signal changes state,  $C_{CP}$  is charged or discharged through R3 and R4. The charge accumulated on  $C_{CP}$  is mirrored to C4 by the Norton Amplifier circuit comprising of Q1, Q2 and Q3. The charge pump output voltage,  $F/V_{OUT}$ , ranges from 2.0 V to 6.3 V depending on the input signal frequency and the gain of the charge pump according to the formula:

$$F/V_{OUT} = 2.0 V + 2.0 \times FREQ \times C_{CP} \times R_T \times (V_{REG} - 0.7 V)$$

$R_T$  is a potentiometer used to adjust the gain of the F/V output stage and give the correct meter deflection. The F/V output voltage is applied to the function generator which generates the sine and cosine output voltages. The output voltage of the sine and cosine amplifiers are derived from the

on-chip amplifier and function generator circuitry. The various trip points for the circuit (i.e., 0°, 90°, 180°, 270°) are determined by an internal resistor divider and the bandgap voltage reference. The coils are differentially driven, allowing bidirectional current flow in the outputs, thus providing up to 305° range of meter deflection. Driving the coils differentially offers faster response time, higher current capability, higher output voltage swings, and reduced external component count. The key advantage is a higher torque output for the pointer.

The output angle,  $\theta$ , is equal to the F/V gain multiplied by the function generator gain:

$$\theta = AF/V \times AFG,$$

where:

$$AFG = 77^\circ/V(\text{typ})$$

The relationship between input frequency and output angle is:

$$\theta = AFG \times 2.0 \times FREQ \times C_{CP} \times R_T \times (V_{REG} - 0.7 V)$$

or,

$$\theta = 970 \times FREQ \times C_{CP} \times R_T$$

The ripple voltage at the F/V converter's output is determined by the ratio of  $C_{CP}$  and C4 in the formula:

$$\Delta V = \frac{C_{CP}(V_{REG} - 0.7 V)}{C4}$$

[查询"CS8190EDWF20G"供应商](#)

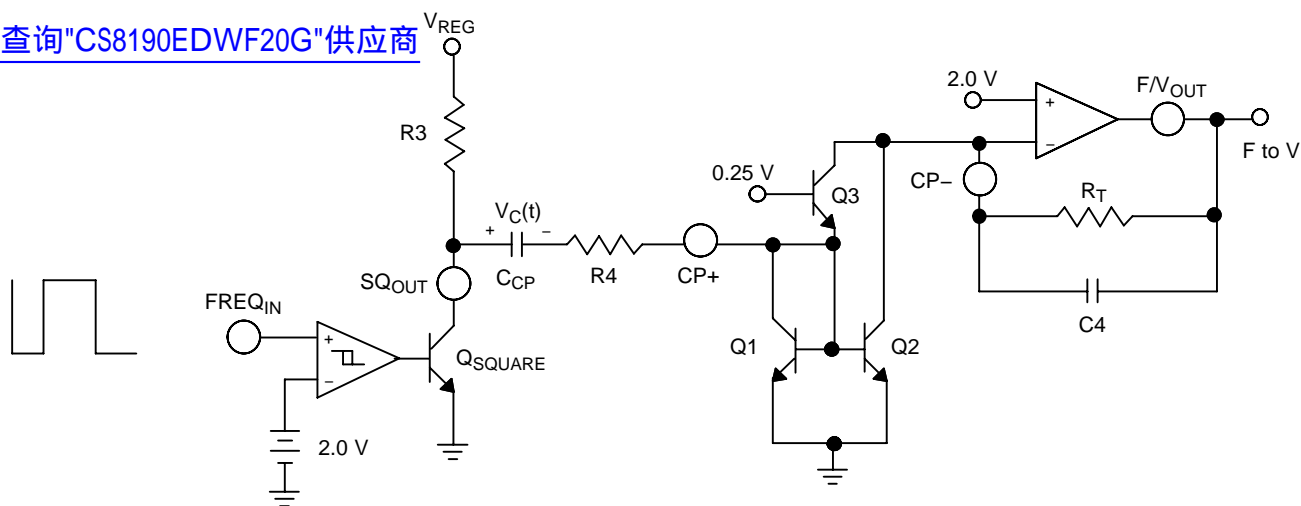


Figure 7. Partial Schematic of Input and Charge Pump

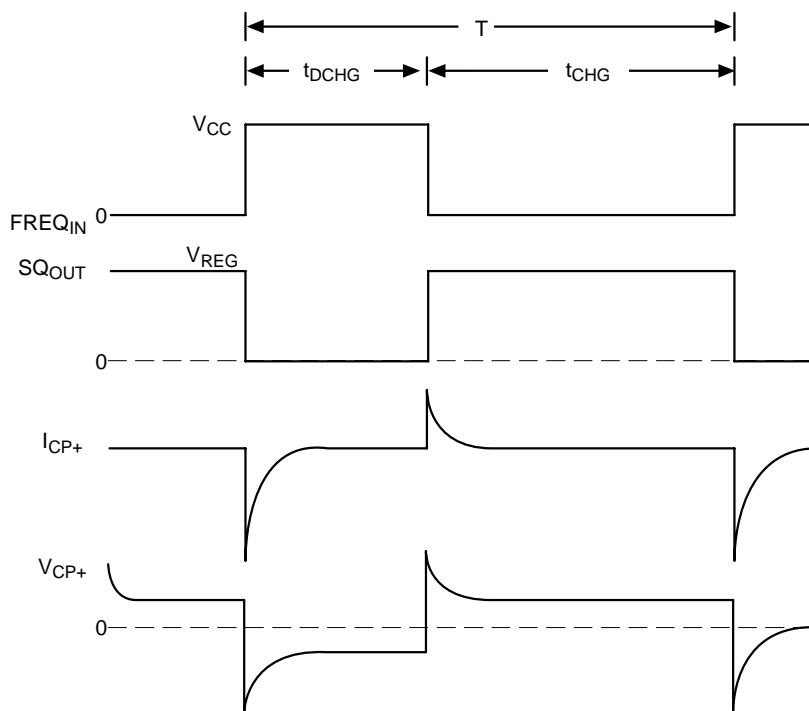


Figure 8. Timing Diagram of FREQ\_IN and I\_CP

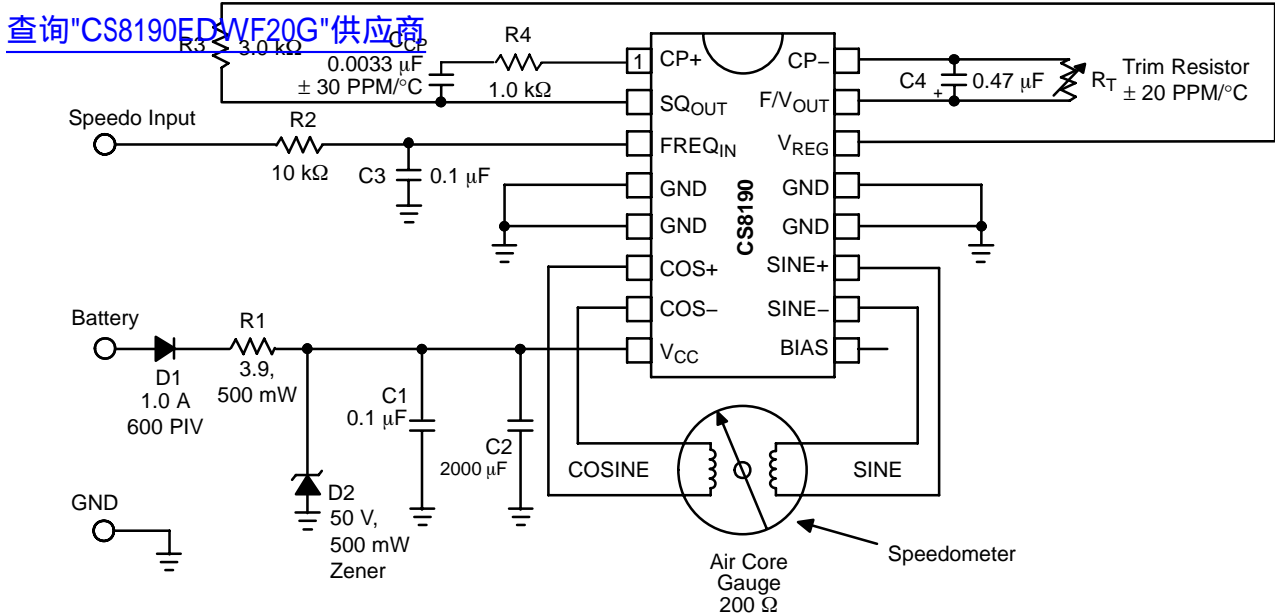
Ripple voltage on the F/V output causes pointer or needle flutter especially at low input frequencies.

The response time of the F/V is determined by the time constant formed by  $R_T$  and  $C_4$ . Increasing the value of  $C_4$  will reduce the ripple on the F/V output but will also increase the response time. An increase in response time causes a very slow meter movement and may be unacceptable for many applications.

The CS8190 has an undervoltage detect circuit that disables the input comparator when  $V_{CC}$  falls below 8.0 V (typical). With no input signal the F/V output voltage decreases and the needle moves towards zero. A second undervoltage detect circuit at 6.0 V (typical) causes the function generator to

generate a differential SIN drive voltage of zero volts and the differential COS drive voltage to go as high as possible. This combination of voltages (Figure 2) across the meter coil moves the needle to the  $0^\circ$  position. Connecting a large capacitor ( $> 2000 \mu\text{F}$ ) to the  $V_{CC}$  lead ( $C_2$  in Figure 9) increases the time between these undervoltage points since the capacitor discharges slowly and ensures that the needle moves towards  $0^\circ$  as opposed to  $360^\circ$ . The exact value of the capacitor depends on the response time of the system, the maximum meter deflection and the current consumption of the circuit. It should be selected by breadboarding the design in the lab.

# CS8190



**Notes:**

1. C2 (> 2000 μF) is needed if return to zero function is required.
2. The product of C4 and R<sub>T</sub> have a direct effect on gain and therefore directly affect temperature compensation.
3. C4 Range; 20 pF to 0.2 μF.
4. R4 Range; 100 kΩ to 500 kΩ.
5. The IC must be protected from transients above 60 V and reverse battery conditions.
6. Additional filtering on the FREQ<sub>IN</sub> lead may be required.
7. Gauge coil connections to the IC must be kept as short as possible (≤ 3.0 inch) for best pointer stability.

**Figure 9. Speedometer or Tachometer Application**

**Design Example**

Maximum meter Deflection = 270°  
 Maximum Input Frequency = 350 Hz

**1. Select R<sub>T</sub> and C<sub>CP</sub>**

$$\theta = 970 \times \text{FREQ} \times C_{CP} \times R_T = 270^\circ$$

Let C<sub>CP</sub> = 0.0033 μF, find R<sub>T</sub>

$$R_T = \frac{270^\circ}{970 \times 350 \text{ Hz} \times 0.0033 \mu\text{F}}$$

$$R_T = 243 \text{ k}\Omega$$

R<sub>T</sub> should be a 250 kΩ potentiometer to trim out any inaccuracies due to IC tolerances or meter movement pointer placement.

**2. Select R3 and R4**

Resistor R3 sets the output current from the voltage regulator. The maximum output current from the voltage regulator is 10 mA. R3 must ensure that the current does not exceed this limit.

Choose R3 = 3.3 kΩ

The charge current for C<sub>CP</sub> is

$$\frac{V_{REG} - 0.7 \text{ V}}{3.3 \text{ k}\Omega} = 1.90 \text{ mA}$$

C<sub>CP</sub> must charge and discharge fully during each cycle of the input signal. Time for one cycle at maximum frequency is 2.85 ms. To ensure that C<sub>CP</sub> is charged, assume that the

(R3 + R4) C<sub>CP</sub> time constant is less than 10% of the minimum input period.

$$T = 10\% \times \frac{1}{350 \text{ Hz}} = 285 \mu\text{s}$$

Choose R4 = 1.0 kΩ

$$\text{Discharge time: } t_{DCHG} = R3 \times C_{CP} = 3.3 \text{ k}\Omega \times 0.0033 \mu\text{F} = 10.9 \mu\text{s}$$

$$\text{Charge time: } t_{CHG} = (R3 + R4)C_{CP} = 4.3 \text{ k}\Omega \times 0.0033 \mu\text{F} = 14.2 \mu\text{s}$$

**3. Determine C4**

C4 is selected to satisfy both the maximum allowable ripple voltage and response time of the meter movement.

$$C4 = \frac{C_{CP}(V_{REG} - 0.7 \text{ V})}{\Delta V_{MAX}}$$

With C4 = 0.47 μF, the F/V ripple voltage is 44 mV.

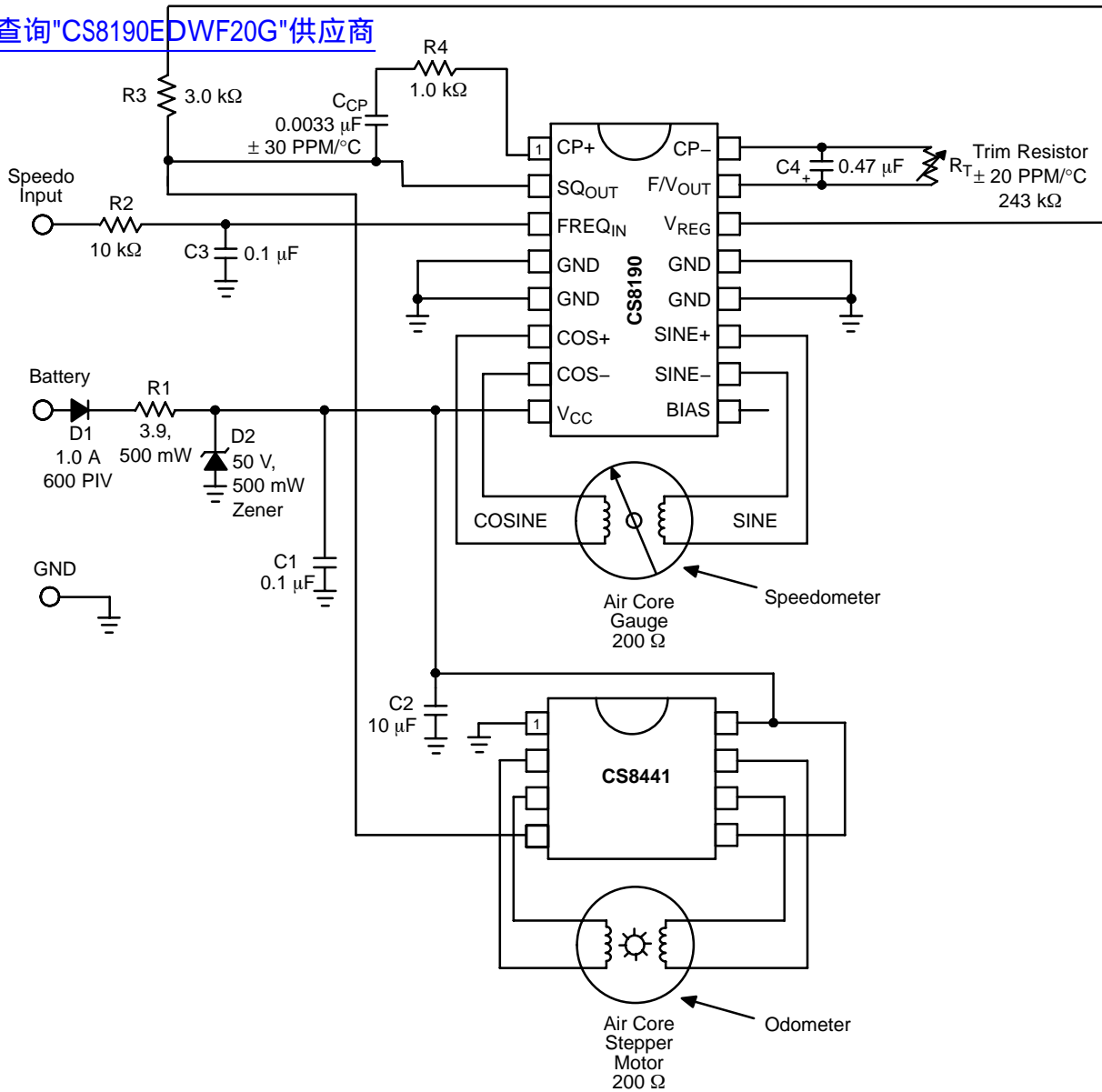
The last component to be selected is the return to zero capacitor C2. This is selected by increasing the input signal frequency to its maximum so the pointer is at its maximum deflection, then removing the power from the circuit. C2 should be large enough to ensure that the pointer always returns to the 0° position rather than 360° under all operating conditions.

Figure 10 shows how the CS8190 and the CS8441 are used to produce a Speedometer and Odometer circuit.



# CS8190

[查询"CS8190EDWF20G"供应商](#)



## Notes:

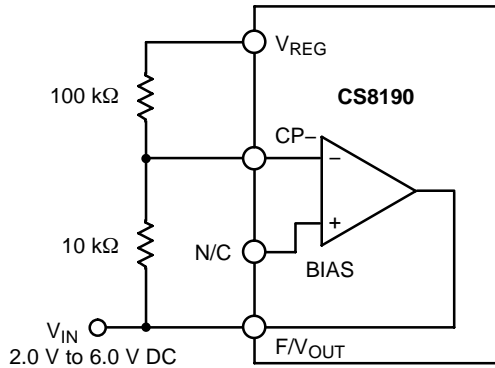
1. C2 = 10  $\mu$ F with CS8441 application.
2. The product of C4 and R<sub>T</sub> have a direct effect on gain and therefore directly affect temperature compensation.
3. C4 Range; 20 pF to 0.2  $\mu$ F.
4. R4 Range; 100 k $\Omega$  to 500 k $\Omega$ .
5. The IC must be protected from transients above 60 V and reverse battery conditions.
6. Additional filtering on the FREQ<sub>IN</sub> lead may be required.
7. Gauge coil connections to the IC must be kept as short as possible ( $\leq$  3.0 inch) for best pointer stability.

**Figure 10. Speedometer With Odometer or Tachometer Application**

## CS8190

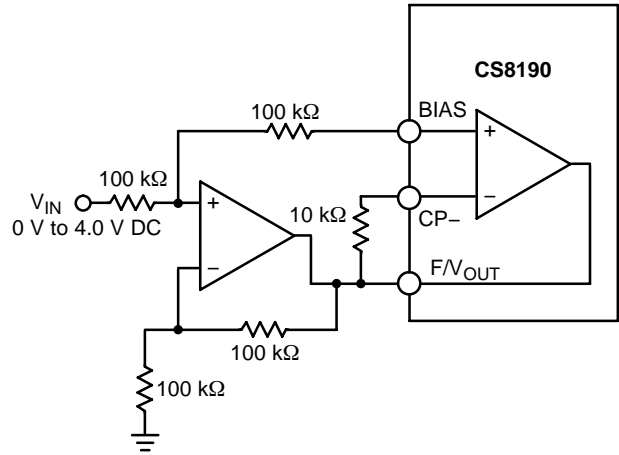
In some cases a designer may wish to use the CS8190 only as a driver for an air-core meter having performed the F/V conversion elsewhere in the circuit.

Figure 11 shows how to drive the CS8190 with a DC voltage ranging from 2.0 V to 6.0 V. This is accomplished by forcing a voltage on the F/V<sub>OUT</sub> lead. The alternative scheme shown in Figure 12 uses an external op amp as a buffer and operates over an input voltage range of 0 V to 4.0 V.



**Figure 11. Driving the CS8190 from an External DC Voltage**

Figures 11 and 12 are not temperature compensated.



**Figure 12. Driving the CS8190 from an External DC Voltage Using an Op Amp Buffer**

### PACKAGE THERMAL DATA

Parameter		PDIP-16	SO-20W	Unit
R <sub>θJC</sub>	Typical	15	9	°C/W
R <sub>θJA</sub>	Typical	50	55	°C/W

### ORDERING INFORMATION

Device	Package	Shipping†
CS8190ENF16	PDIP-16	25 Units / Rail
CS8190ENF16G	PDIP-16 (Pb-Free)	
CS8190EDWF20	SO-20W	38 Units / Rail
CS8190EDWF20G	SO-20W (Pb-Free)	
CS8190EDWFR20	SO-20W	1000 / Tape & Reel
CS8190EDWFR20G	SO-20W (Pb-Free)	

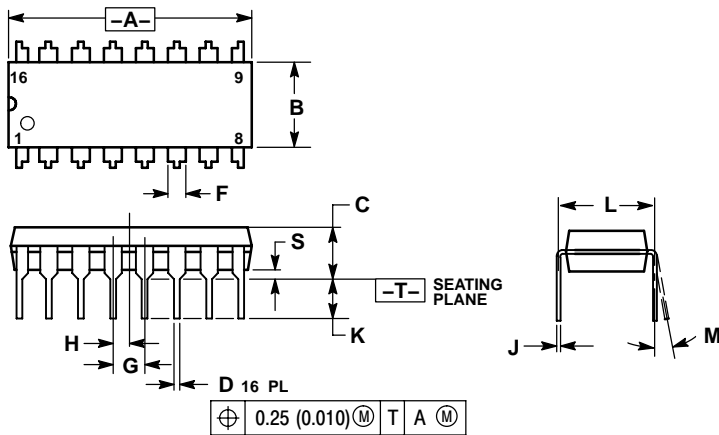
†For information on tape and reel specifications, including part orientation and tape sizes, please refer to our Tape and Reel Packaging Specifications Brochure, BRD8011/D.

# CS8190

查询"CS8190EDWF20G"供应商

## PACKAGE DIMENSIONS

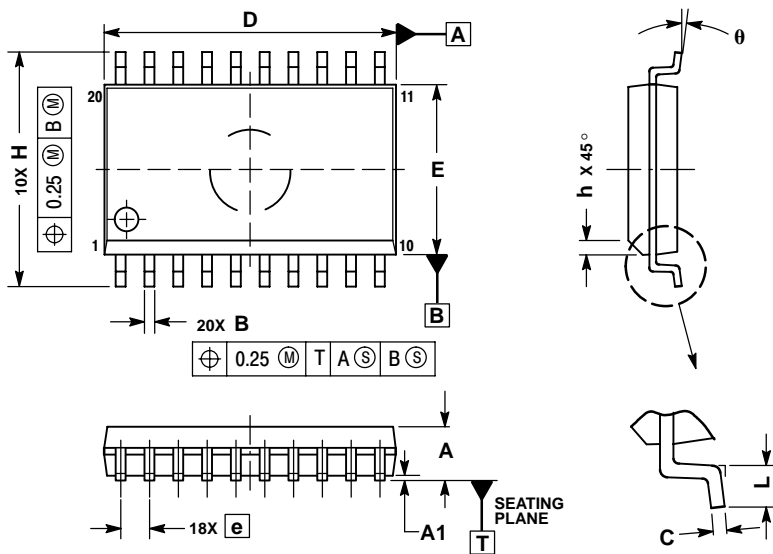
PDIP-16  
CASE 648-08  
ISSUE T



- NOTES:
1. DIMENSIONING AND TOLERANCING PER ANSI Y14.5M, 1982.
  2. CONTROLLING DIMENSION: INCH.
  3. DIMENSION L TO CENTER OF LEADS WHEN FORMED PARALLEL.
  4. DIMENSION B DOES NOT INCLUDE MOLD FLASH.
  5. ROUNDED CORNERS OPTIONAL.

DIM	INCHES		MILLIMETERS	
	MIN	MAX	MIN	MAX
A	0.740	0.770	18.80	19.55
B	0.250	0.270	6.35	6.85
C	0.145	0.175	3.69	4.44
D	0.015	0.021	0.39	0.53
F	0.040	0.70	1.02	1.77
G	0.100 BSC		2.54 BSC	
H	0.050 BSC		1.27 BSC	
J	0.008	0.015	0.21	0.38
K	0.110	0.130	2.80	3.30
L	0.295	0.305	7.50	7.74
M	0°	10°	0°	10°
S	0.020	0.040	0.51	1.01

SO-20 WB  
CASE 751D-05  
ISSUE G



- NOTES:
1. DIMENSIONS ARE IN MILLIMETERS.
  2. INTERPRET DIMENSIONS AND TOLERANCES PER ASME Y14.5M, 1994.
  3. DIMENSIONS D AND E DO NOT INCLUDE MOLD PROTRUSION.
  4. MAXIMUM MOLD PROTRUSION 0.15 PER SIDE.
  5. DIMENSION B DOES NOT INCLUDE DAMBAR PROTRUSION. ALLOWABLE PROTRUSION SHALL BE 0.13 TOTAL IN EXCESS OF B DIMENSION AT MAXIMUM MATERIAL CONDITION.

DIM	MILLIMETERS	
	MIN	MAX
A	2.35	2.65
A1	0.10	0.25
B	0.35	0.49
C	0.23	0.32
D	12.65	12.95
E	7.40	7.60
e	1.27 BSC	
H	10.05	10.55
h	0.25	0.75
L	0.50	0.90
θ	0°	7°

ON Semiconductor and are registered trademarks of Semiconductor Components Industries, LLC (SCILLC). SCILLC reserves the right to make changes without further notice to any products herein. SCILLC makes no warranty, representation or guarantee regarding the suitability of its products for any particular purpose, nor does SCILLC assume any liability arising out of the application or use of any product or circuit, and specifically disclaims any and all liability, including without limitation special, consequential or incidental damages. "Typical" parameters which may be provided in SCILLC data sheets and/or specifications can and do vary in different applications and actual performance may vary over time. All operating parameters, including "Typicals" must be validated for each customer application by customer's technical experts. SCILLC does not convey any license under its patent rights nor the rights of others. SCILLC products are not designed, intended, or authorized for use as components in systems intended for surgical implant into the body, or other applications intended to support or sustain life, or for any other application in which the failure of the SCILLC product could create a situation where personal injury or death may occur. Should Buyer purchase or use SCILLC products for any such unintended or unauthorized application, Buyer shall indemnify and hold SCILLC and its officers, employees, subsidiaries, affiliates, and distributors harmless against all claims, costs, damages, and expenses, and reasonable attorney fees arising out of, directly or indirectly, any claim of personal injury or death associated with such unintended or unauthorized use, even if such claim alleges that SCILLC was negligent regarding the design or manufacture of the part. SCILLC is an Equal Opportunity/Affirmative Action Employer. This literature is subject to all applicable copyright laws and is not for resale in any manner.

### PUBLICATION ORDERING INFORMATION

**LITERATURE FULFILLMENT:**  
Literature Distribution Center for ON Semiconductor  
P.O. Box 5163, Denver, Colorado 80217 USA  
Phone: 303-675-2175 or 800-344-3860 Toll Free USA/Canada  
Fax: 303-675-2176 or 800-344-3867 Toll Free USA/Canada  
Email: orderlit@onsemi.com

**N. American Technical Support:** 800-282-9855 Toll Free  
USA/Canada  
**Europe, Middle East and Africa Technical Support:**  
Phone: 421 33 790 2910  
**Japan Customer Focus Center**  
Phone: 81-3-5773-3850

**ON Semiconductor Website:** [www.onsemi.com](http://www.onsemi.com)  
**Order Literature:** <http://www.onsemi.com/orderlit>

For additional information, please contact your local Sales Representative