

Product Features

- Low Noise Figure
- High Reliability
- High Linearity
- Single Supply Voltage
- Small size by using simple matching circuit board
- High Productivity
- Hybrid Amplifiers on Ceramic Board
- Competitive Price

Application

- CDMA, GSM Repeater
- Base Station
- RF Sub-Systems



Description

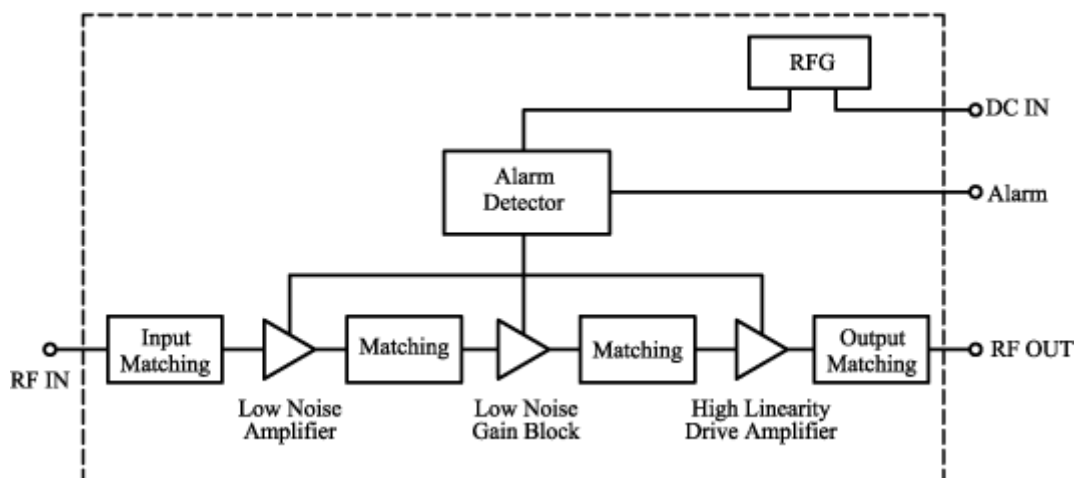
This LNA Module is a high gain, ultra low noise amplifier module. It has superior performance comes with a modest price tag.

Specifications

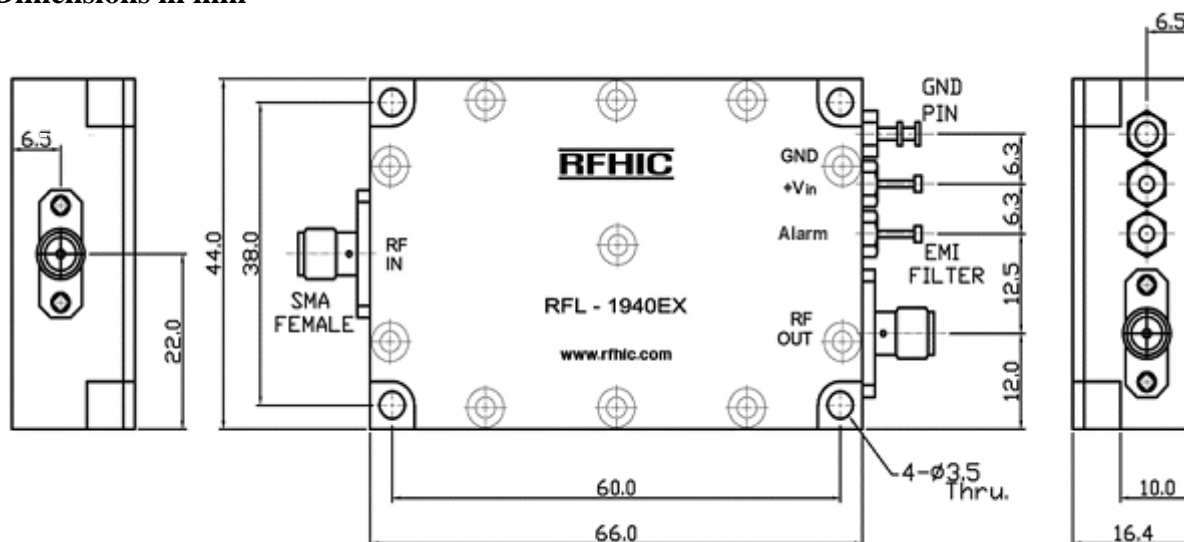
(Operating Temperature:-30°C~+70°C)

PARAMETER	RFL-0945R	RFL-0945T	RFL-1740R	RFL-1740T	RFL-1840R	RFL-1840T
Frequency Range (MHz)	824~849	869~894	1750~1780	1840~1870	1885~1910	1965~1990
Gain	45dB ± 0.5dB		40dB ± 0.5dB			
Gain Flatness	± 0.5dB					
VSWR	1.3 : 1					
Noise Figure (max)	1.0dB					
OIP3 (max)	38dBm					
Current (max)	400mA					
Supply Voltage	8~12V					
Current Alarm	Normal : TTL High, Abnormal : TTL Low (TTL type)					
Operating Temperature	-30°C ~ +70°C					
Connector Type	SMA - Female					
Case Dimension	66 × 44 × 16.5 [mm]					

Functional Diagram



Dimensions in mm



RFHIC Corporation (RFHIC) reserves the right to make changes to any products herein or to discontinue any product at any time without notice. RFHIC do not assume any liability for the suitability of its products for any particular purpose, and disclaims any and all liability, including without limitation consequential or incidental damages. The product specifications herein expressed have been carefully checked and are assumed to be reliable. However, RFHIC disclaims liability for inaccuracies and strongly recommends buyers to verify that the information they are using is current before placing purchase orders. RFHIC products are not intended for use in life support equipment or application where malfunction of the product can be expected to result in personal injury or death. Buyer uses or sells such products for any such unintended or unauthorized application, buyer shall indemnify, protect and hold RFHIC and its directors, officers, stockholders, employees, representatives and distributors harmless against any and all claims arising out of such use. RFHIC's liability under or arising out of damages, claims of whatsoever kind and nature which RFHIC products could cause shall be limited in amount to the net purchase price of the products sold to buyer by RFHIC.