

SG2003/A SG2004/A

400mA, Low Power, Low Noise, Low Dropout, Linear Regulators

GENERAL DESCRIPTION

The SG2003/A and SG2004/A low-power, low-noise, low-dropout, CMOS linear voltage regulators operate from a 2.5V to 5.5V input and deliver up to 400mA (400mA peak SG2003 only). They are the perfect choice for low voltage, low power applications. An ultra low ground current (120 μ A at 400mA output) make them attractive for battery operated power systems. The SG2003/A and SG2004/A series also offer ultra low dropout voltage (280mV at 400mA output) to prolong battery life in portable electronics. Systems requiring a quiet voltage source, such as RF applications, will benefit from the SG2003/A and SG2004/A series' ultra low output noise (30 μ VRMS). An external noise bypass capacitor connected to the device's BP pin can further reduce the noise level.

The output voltage is preset to voltages in the range of 1.5V to 4.5V. Other features include a 10nA logic-controlled shutdown mode, foldback current limit and thermal shut-down protection.

SG2003/A comes in 5-pin SOT23 package and SG2004/A comes in 8-pin SO package.

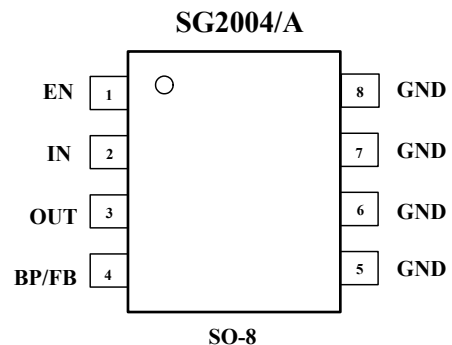
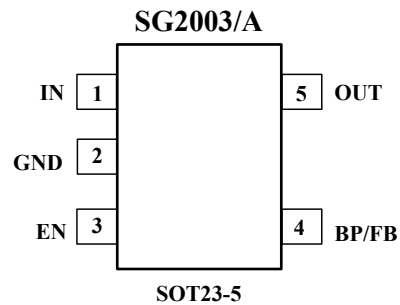
APPLICATIONS

Cellular Telephones
Cordless Telephones
PHS Telephones
PCMCIA Cards
Modems
MP3 Players
Hand-Held Instruments
Palmtop Computers
Electronic Planners
Portable/Battery-Powered Equipment

FEATURES

- Low Output Noise: 30 μ VRMS typ(10Hz to 100KHz)
- Ultra-Low Dropout Voltage:
280mV at 400mA output
- Low 77 μ A No-Load Supply Current
- Low 120 μ A Operating Supply Current at 400mA Output
- Thermal-Overload Protection
- Output Current Limit
- Preset Output Voltages (\pm 1.6% Accuracy)
- 10nA Logic-Controlled Shutdown
- Available in Multiple Output Voltage Versions
Fixed Outputs of 2.5V, 2.8V, 2.85V, 3.0V, and 3.3V
Adjustable Output from 1.5V to 4.5V

PIN CONFIGURATIONS (TOP VIEW)



ORDERING INFORMATION

MODEL	V _{OUT} (V)	PIN-PACKAGE	SPECIFIED TEMPERATURE RANGE	ORDERING NUMBER	PACKAGE MARKING	PACKAGE OPTION
SG2003-2.5	2.5V	SOT23-5	- 40°C to +125°C	SG2003-2.5XN5/TR	X325	Tape and Reel, 3000
SG2003-2.8	2.8V		- 40°C to +125°C	SG2003-2.8XN5/TR	X328	Tape and Reel, 3000
SG2003-2.85	2.85V		- 40°C to +125°C	SG2003-2.85XN5/TR	X32J	Tape and Reel, 3000
SG2003-3.0	3.0V		- 40°C to +125°C	SG2003-3.0XN5/TR	X330	Tape and Reel, 3000
SG2003-3.3	3.3V		- 40°C to +125°C	SG2003-3.3XN5/TR	X333	Tape and Reel, 3000
SG2003A	adjustable		- 40°C to +125°C	SG2003-XN5/TR	X3AA	Tape and Reel, 3000
SG2004-2.5	2.5V	SO-8	- 40°C to +125°C	SG2004-2.5XS/TR	SG2004-2.5XS	Tape and Reel, 2500
SG2004-2.8	2.8V		- 40°C to +125°C	SG2004-2.8XS/TR	SG2004-2.8XS	Tape and Reel, 2500
SG2004-2.85	2.85V		- 40°C to +125°C	SG2004-2.85XS/TR	SG2004-2.85XS	Tape and Reel, 2500
SG2004-3.0	3.0V		- 40°C to +125°C	SG2004-3.0XS/TR	SG2004-3.0XS	Tape and Reel, 2500
SG2004-3.3	3.3V		- 40°C to +125°C	SG2004-3.3XS/TR	SG2004-3.3XS	Tape and Reel, 2500
SG2004A	adjustable		- 40°C to +125°C	SG2004-XS/TR	SG2004-XS	Tape and Reel, 2500

ABSOLUTE MAXIMUM RATINGS

IN to GND.....- 0.3V to +6V
 Output Short-Circuit Duration.....Infinite
 EN to GND.....- 0.3V to +6V
 OUT, BP/FB to GND.....- 0.3V to (V_{IN} + 0.3V)
 Power Dissipation, P_D @ T_A = 25°C
 SOT23-50.4W
 SO-80.625W
 Package Thermal Resistance
 SOT23-5, θ_{JA}..... 250°C/W

SO-8, θ_{JA}.....160°C/W
 Operating Temperature Range.....- 40°C to +125°C
 Junction Temperature.....+150°C
 Storage Temperature.....- 65°C to +150°C
 Lead Temperature (soldering, 10s).....260°C
 ESD Susceptibility
 HBM.....7000V
 MM.....400V

Stresses beyond those listed under “Absolute Maximum Ratings” may cause permanent damage to the device. These are stress ratings only, and functional operation of the device at these or any other conditions beyond those indicated in the operational sections of the specifications is not implied. Exposure to absolute maximum rating conditions for extended periods may affect device reliability.

ELECTRICAL CHARACTERISTICS

($V_{IN} = V_{OUT(NOMINAL)} + 1V$, $T_A = -40^{\circ}C$ to $+125^{\circ}C$, unless otherwise noted. Typical values are at $T_A = +25^{\circ}C$.)

PARAMETER	SYMBOL	CONDITIONS	MIN	TYP	MAX	UNITS	
Input Voltage	V_{IN}		2.5		5.5	V	
Output Voltage Accuracy		$I_{OUT} = 0.1mA$, $V_{OUT} \geq 2.5V$, $T_A = +25^{\circ}C$	-1.6		1.6	%	
		$I_{OUT} = 0.1mA$ to $400mA$, $V_{OUT} \geq 2.5V$ $T_A = 0^{\circ}C$ to $+70^{\circ}C$			2.5		
		$I_{OUT} = 0.1mA$ to $400mA$, $V_{OUT} \geq 2.5V$ $T_A = -40^{\circ}C$ to $+125^{\circ}C$			2.9		
		$I_{OUT} = 0.1mA$ to $400mA$, $V_{OUT} < 2.5V$ $T_A = -40^{\circ}C$ to $+125^{\circ}C$			3.1		
Output Current	SG2003				400 (Note1)	mA	
	SG2004		400			mA	
Current Limit	I_{LIM}		410	750		mA	
Ground Pin Current	I_Q	No load, $EN = 2V$	$V_{OUT} \leq 3.3V$		77	130	μA
			$V_{OUT} > 3.3V$		77	145	
Dropout Voltage(Note2)		$I_{OUT} = 1mA$		0.8		mV	
		$I_{OUT} = 400mA$		280	440		
Line Regulation	ΔV_{LNR}	$V_{IN} = 2.5V$ or $(V_{OUT} + 0.1V)$ to $5.5V$, $I_{OUT} = 1mA$		0.004	0.15	%/V	
Load Regulation	ΔV_{LDR}	$I_{OUT} = 0.1mA$ to $400mA$, $C_{OUT} = 1\mu F$		0.0005	0.002	%/mA	
Output Voltage Noise	e_n	$f = 10Hz$ to $100KHz$, $C_{BP} = 0.01\mu F$		$C_{OUT} = 10\mu F$	30	$\mu VRMS$	
Power Supply Rejection Rate	PSRR	$C_{BP} = 0.1\mu F$, $I_{LOAD} = 50mA$, $C_{OUT} = 1\mu F$	$f = 100Hz$,		74	dB	
			$f = 1KHz$,		54	dB	
SHUTDOWN							
EN Input Threshold	V_{IH}	$V_{IN} = 2.5V$ to $5.5V$		2.0		V	
	V_{IL}				0.4		
EN Input Bias Current	$I_{B(SHDN)}$	$EN = 0V$ and $EN = 5.5V$	$T_A = +25^{\circ}C$		0.01	1	μA
			$T_A = +125^{\circ}C$		0.01		
Shutdown Supply Current	$I_{Q(SHDN)}$	$EN = 0.4V$	$T_A = +25^{\circ}C$		0.01	1	μA
			$T_A = +125^{\circ}C$		0.01		
Shutdown Exit Delay(Note3)		$C_{BP} = 0.01\mu F$ $C_{OUT} = 1\mu F$, no load	$T_A = +25^{\circ}C$		30	μs	
THERMAL PROTECTION							
Thermal Shutdown Temperature	T_{SHDN}			160		$^{\circ}C$	
Thermal Shutdown Hysteresis	ΔT_{SHDN}			15		$^{\circ}C$	

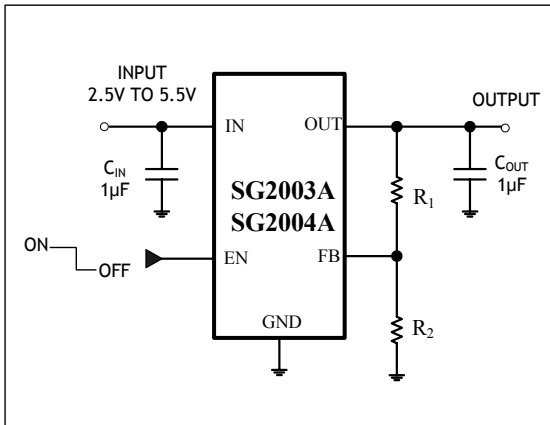
Specifications subject to change without notice.

Note 1: SG2003 series' output current is 400mA peak.

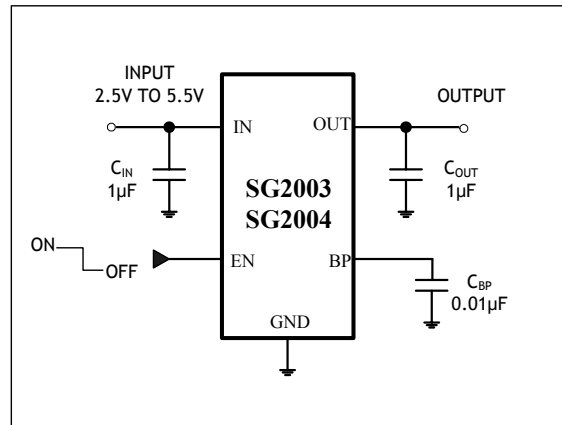
Note 2: The dropout voltage is defined as $V_{IN} - V_{OUT}$, when V_{OUT} is 100mV below the value of V_{OUT} for $V_{IN} = V_{OUT} + 1V$. (Only applicable for $V_{OUT} = +2.5V$ to $+4.5V$)

Note 3: Time needed for V_{OUT} to reach 95% of final value.

TYPICAL OPERATION CIRCUIT



Adjustable Voltage Version



Fixed Voltage Version

Standard 1% Resistor Values for Common Output Voltages of Adjustable Voltage Version

V _{OUT} (V)	R ₁ (kΩ)	R ₂ (kΩ)
1.5	13	61.9
1.8	28	61.9
2.5	63.4	61.9
2.8	78.7	61.9
2.85	80.6	61.9
3.0	88.7	61.9
3.3	95.3	57.6

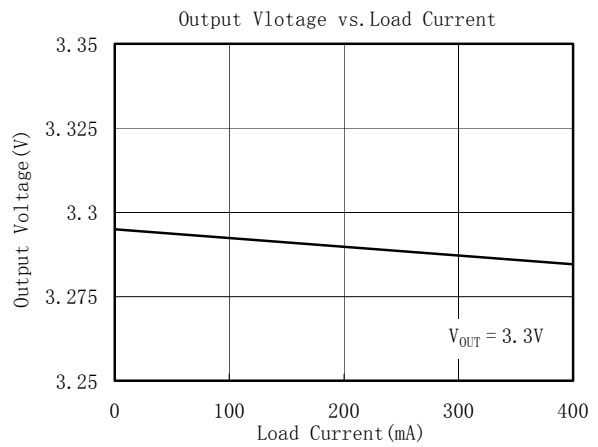
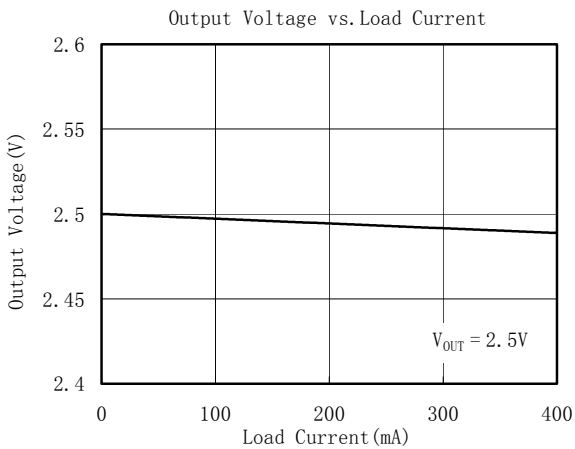
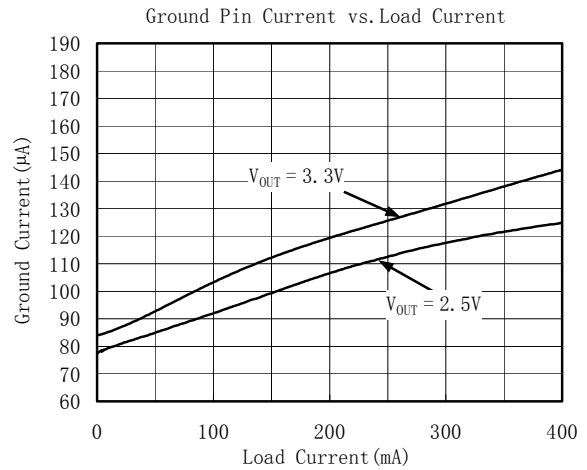
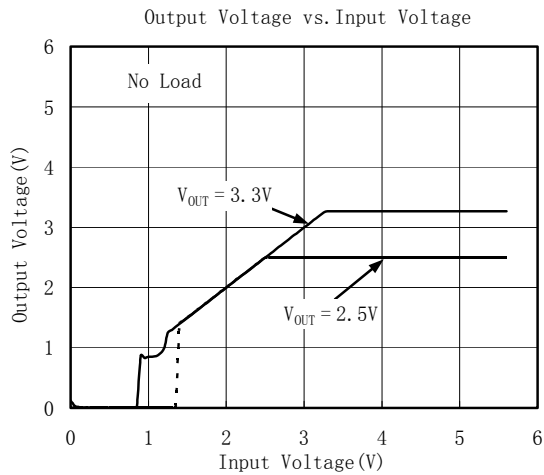
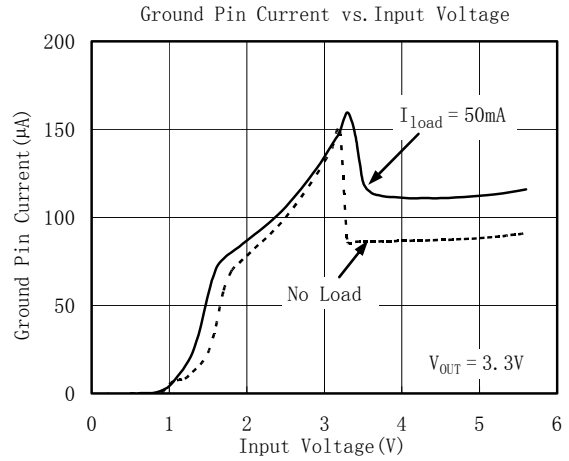
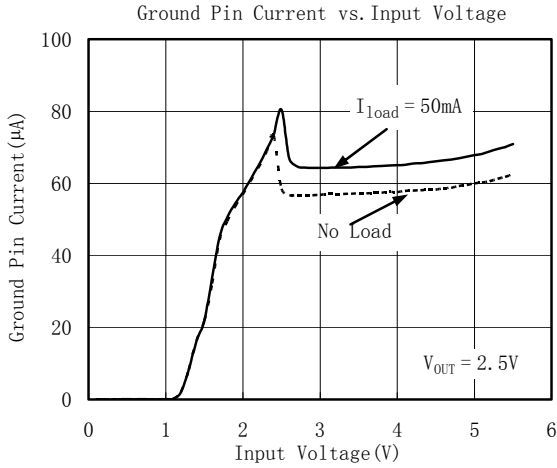
Note: $V_{OUT} = (R_1 + R_2) / R_2 \times 1.2395$

PIN DESCRIPTION

NAME	SOT23-5 PIN	SO-8 PIN	FUNCTION
IN	1	2	Regulator Input. Supply voltage can range from 2.5V to 5.5V. Bypass with a 1µF capacitor to GND.
GND	2	5,6,7,8	Ground.
EN	3	1	Shutdown Input. A logic low reduces the supply current to 10nA. Connect to IN for normal operation.
BP	4	4	Reference-Noise Bypass(fixed voltage version only). Bypass with a low-leakage 0.01µF ceramic capacitor for reduced noise at the output.
FB	4	4	Adjustable voltage version only—this is used to set the output voltage of the device.
OUT	5	3	Regulator Output.

TYPICAL OPERATING CHARACTERISTICS

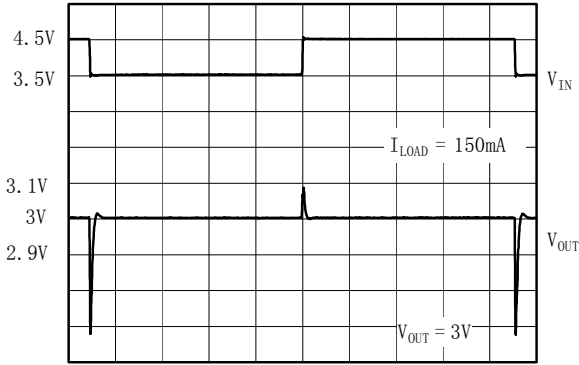
$V_{IN} = V_{OUT(NOMINAL)} + 1V$, $C_{IN} = 1\mu F$, $C_{OUT} = 1\mu F$, $C_{BP} = 0.01\mu F$, $T_A = +25^\circ C$, unless otherwise noted.



TYPICAL OPERATING CHARACTERISTICS

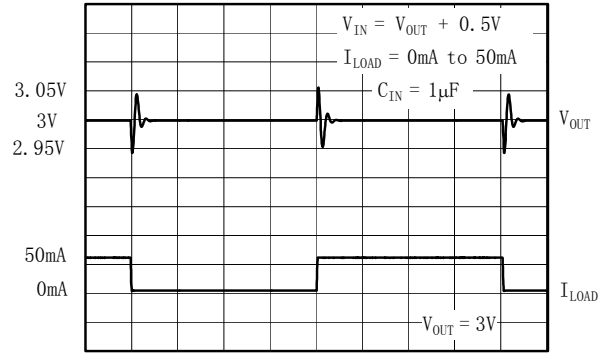
$V_{IN} = V_{OUT(NOMINAL)} + 1V$, $C_{IN} = 1\mu F$, $C_{OUT} = 1\mu F$, $C_{BP} = 0.01\mu F$, $T_A = +25^\circ C$, unless otherwise noted.

Line-Transient Response



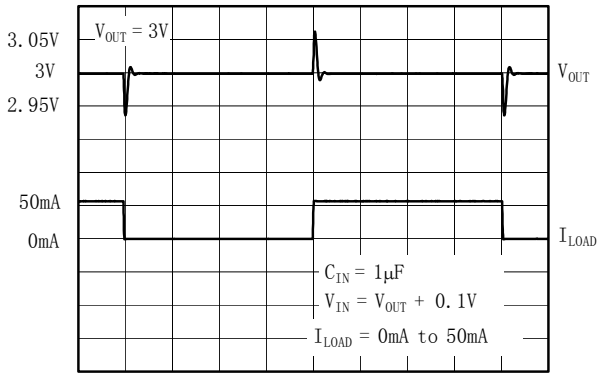
100 μ S/div

Load-Transient Response



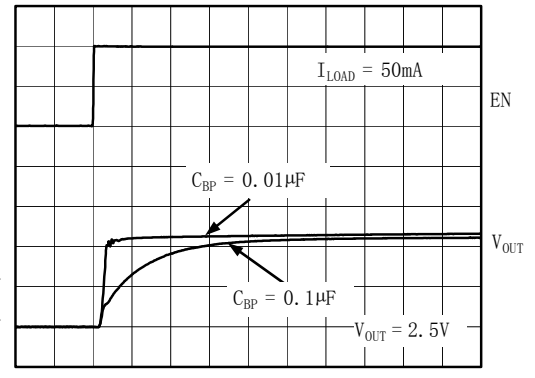
40 μ S/div

Load-Transient Response Near Dropout



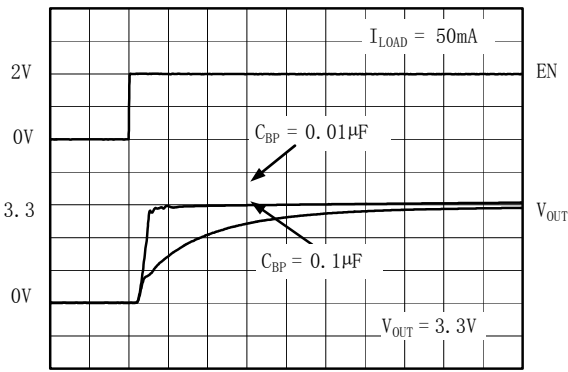
40 μ S/div

Shutdown Exit Delay



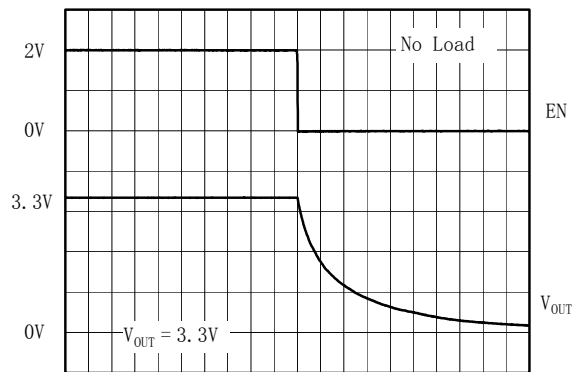
100 μ S/div

Shutdown Exit Delay



100 μ S/div

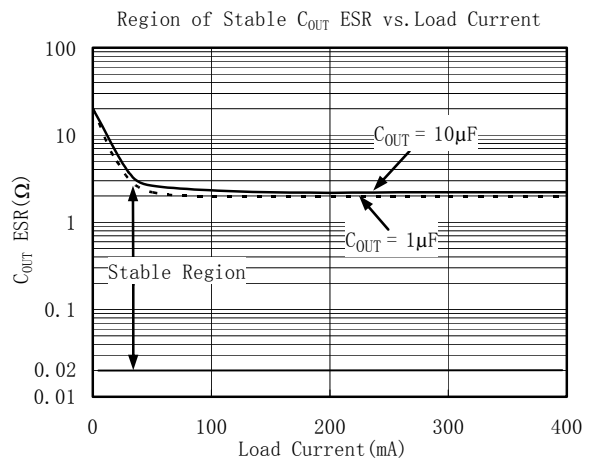
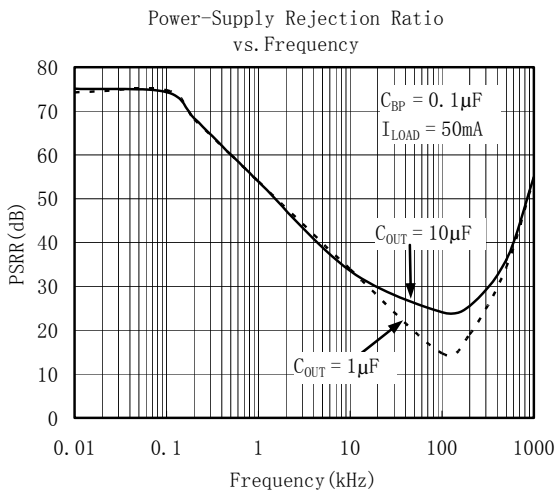
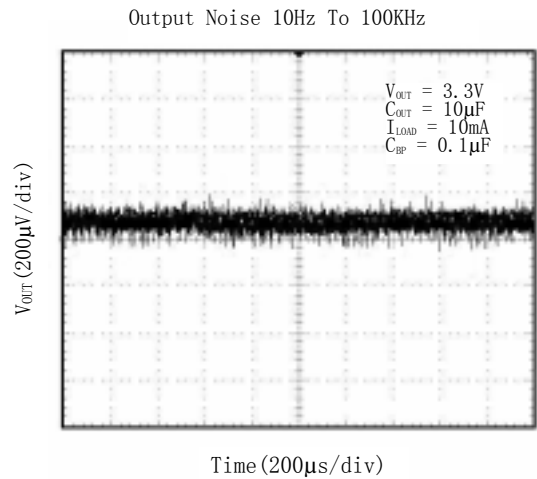
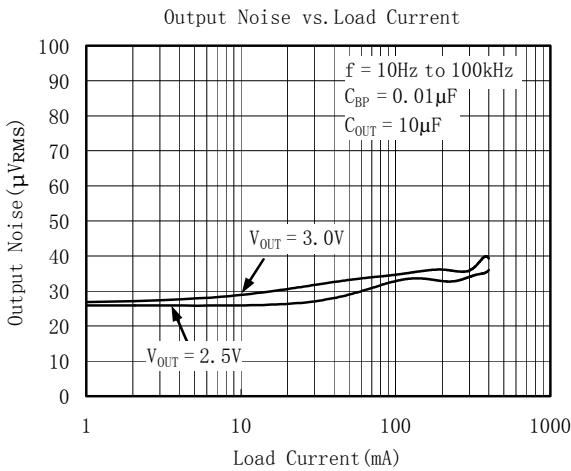
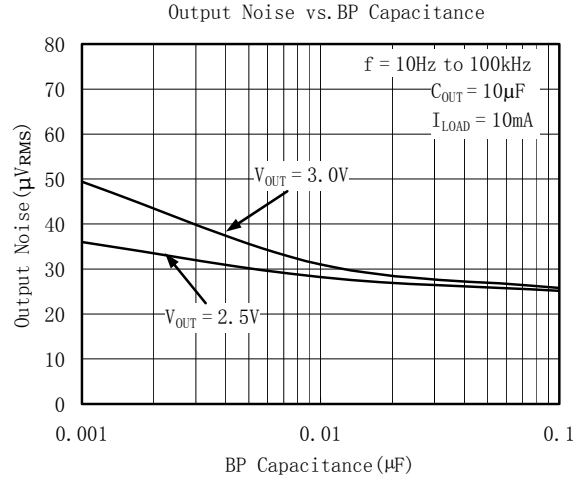
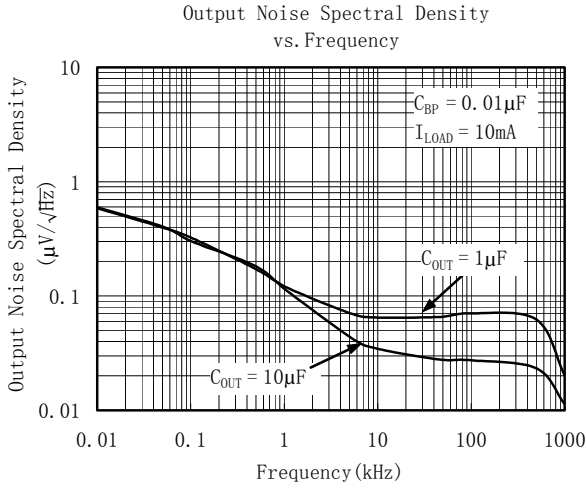
Entering Shutdown



100 μ S/div

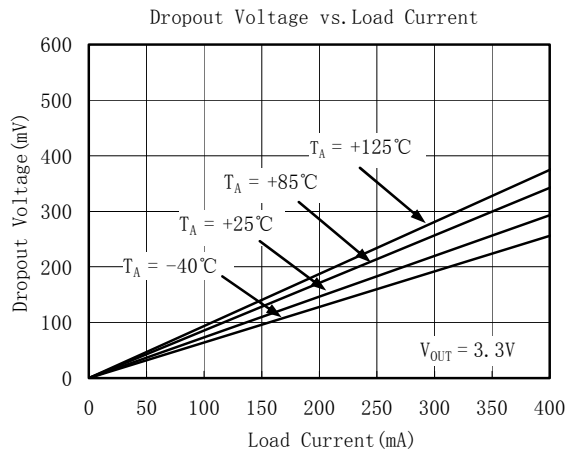
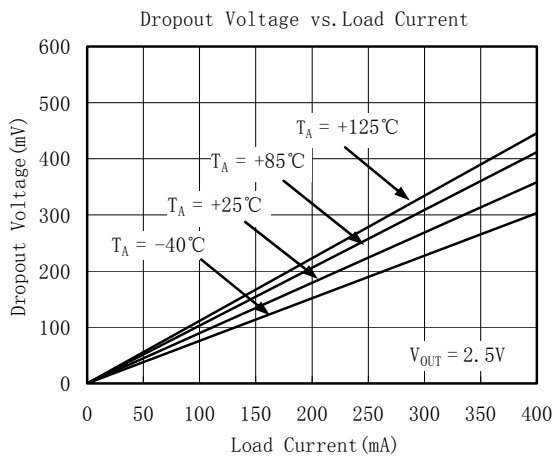
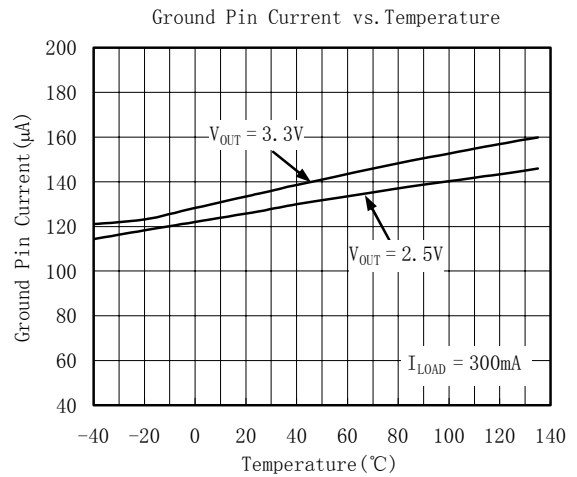
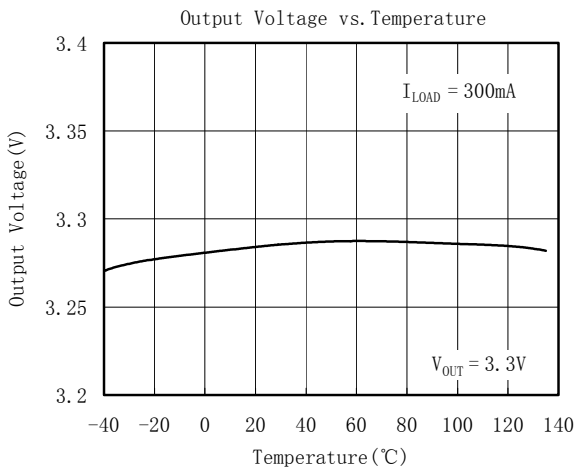
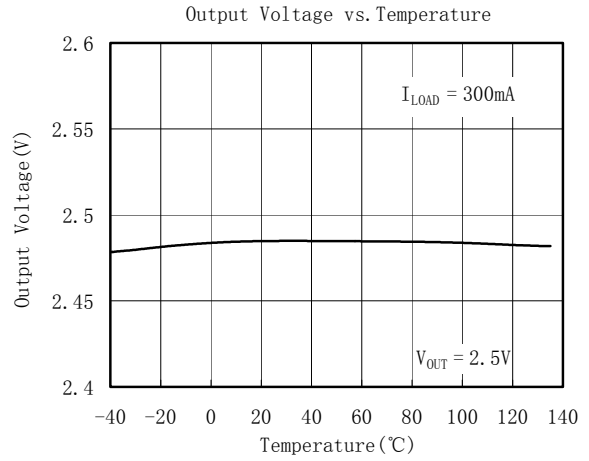
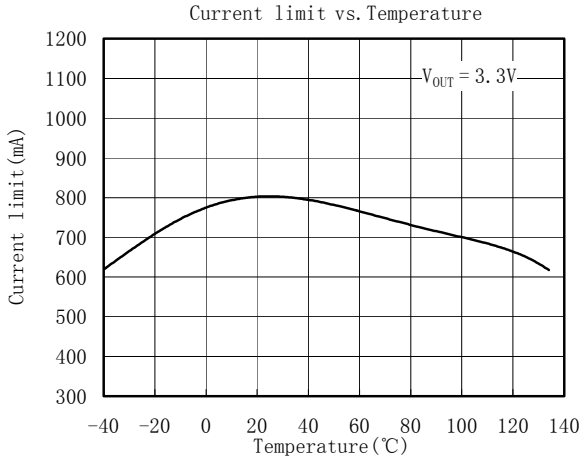
TYPICAL OPERATING CHARACTERISTICS

$V_{IN} = V_{OUT(NOMINAL)} + 1V$, $C_{IN} = 1\mu F$, $C_{OUT} = 1\mu F$, $C_{BP} = 0.01\mu F$, $T_A = +25^\circ C$, unless otherwise noted.



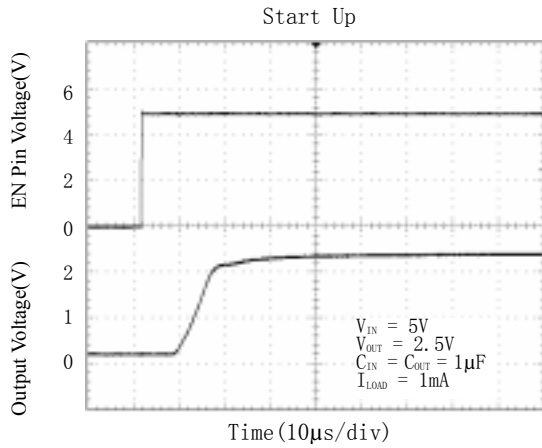
TYPICAL OPERATING CHARACTERISTICS

$V_{IN} = V_{OUT(NOMINAL)} + 1V$, $C_{IN} = 1\mu F$, $C_{OUT} = 1\mu F$, $C_{BP} = 0.01\mu F$, $T_A = +25^\circ C$, unless otherwise noted.



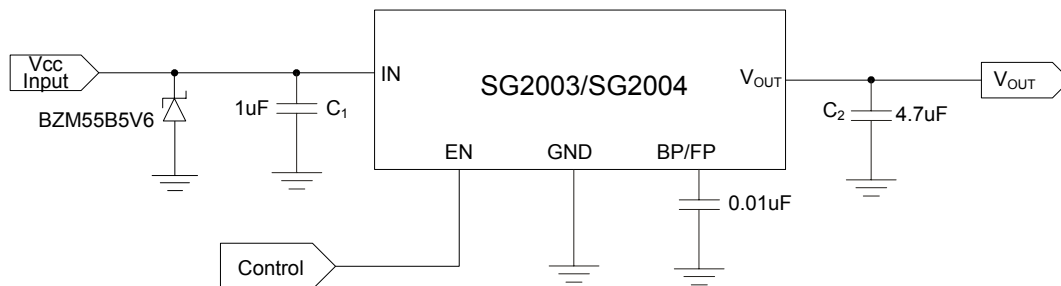
TYPICAL OPERATING CHARACTERISTICS

$V_{IN} = V_{OUT(NOMINAL)} + 1V$, $C_{IN} = 1\mu F$, $C_{OUT} = 1\mu F$, $C_{BP} = 0.01\mu F$, $T_A = +25^\circ C$, unless otherwise noted.



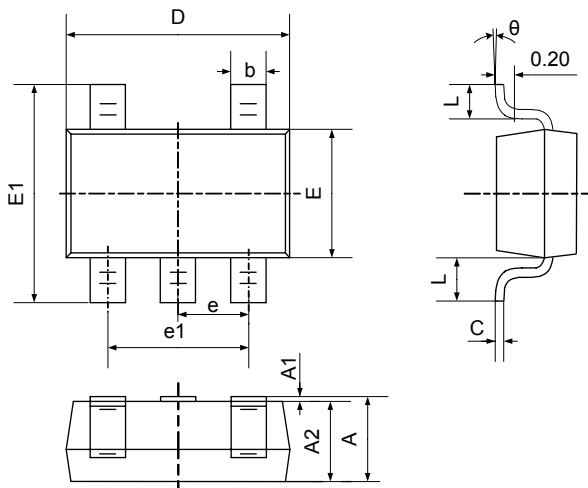
Application Notes

When LDO is used in handheld products, Attention must be paid to voltage spike which would damage SG2003 and SG2004. In such applications, voltage spike will be generated at charger interface and V_{BUS} pin of USB interface when charger adapters and USB equipments are hot-inserted. Besides this, handheld products will be tested on the production line on the condition of no battery. Test Engineer will apply power from the connector pin which connects with positive pole of the battery. When external power supply is turned on suddenly, the voltage spike will be generated at the battery connector. The voltage spike will be very high, it always exceeds the absolute maximum input voltage (6.0V) of LDO. In order to get robust design. Design Engineer needs to clear up this voltage spike. Zener diode is a cheap and effective solution to eliminate such voltage spike. For example, BZM55B5V6 is a 5.6V small package Zener diode which can be used to remove voltage spike in cell phone design. The schematic is shown in below:



PACKAGE OUTLINE DIMENSIONS

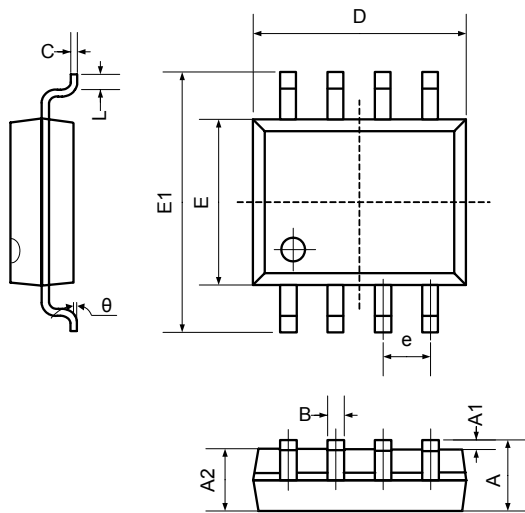
SOT23-5



Symbol	Dimensions In Millimeters		Dimensions In Inches	
	Min	Max	Min	Max
A	1.050	1.250	0.041	0.049
A1	0.000	0.100	0.000	0.004
A2	1.050	1.150	0.041	0.045
b	0.300	0.400	0.012	0.016
c	0.100	0.200	0.004	0.008
D	2.820	3.020	0.111	0.119
E	1.500	1.700	0.059	0.067
E1	2.650	2.950	0.104	0.116
e	0.950TYP		0.037TYP	
e1	1.800	2.000	0.071	0.079
L	0.700REF		0.028REF	
L1	0.300	0.600	0.012	0.024
theta	0°	8°	0°	8°

PACKAGE OUTLINE DIMENSIONS

SO-8



Symbol	Dimensions In Millimeters		Dimensions In Inches	
	Min	Max	Min	Max
A	1.350	1.750	0.053	0.069
A1	0.100	0.250	0.004	0.010
A2	1.350	1.550	0.053	0.061
B	0.330	0.510	0.013	0.020
C	0.190	0.250	0.007	0.010
D	4.780	5.000	0.188	0.197
E	3.800	4.000	0.150	0.157
E1	5.800	6.300	0.228	0.248
e	1.270TYP		0.050TYP	
L	0.400	1.270	0.016	0.050
theta	0°	8°	0°	8°

REVISION HISTORY

Location	Page
9/05— Data Sheet changed from preliminary to REV. A	
12/06— Data Sheet changed from REV. A to REV. B	
Changed to ABSOLUTE MAXIMUM RATINGS	2
Added Application Notes	9

Shengbang Microelectronics Co, Ltd

Unit 3, ChuangYe Plaza
No.5, TaiHu Northern Street, YingBin Road Centralized Industrial Park
Harbin Development Zone
Harbin, HeiLongJiang 150078
P.R. China
Tel.: 86-451-84348461
Fax: 86-451-84308461
www.sg-micro.com