

# SCHOTTKY BARRIER DUAL DIODE

## DESCRIPTION:

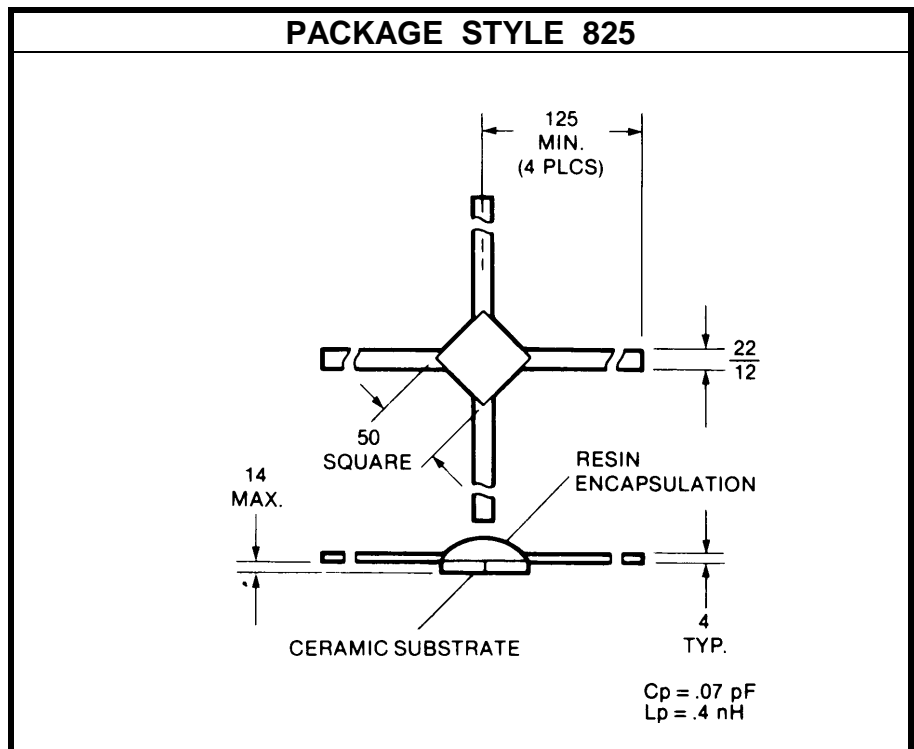
The **5082-2271** is a Low Barrier Schottky Barrier Dual Diode Designed for Single Balanced Mixer, Phase Detector and Modulator Applications up to 4 GHz.

## FEATURES INCLUDE:

- Low Barrier
- Excellent Matching
- Replacement for **DMF-3070**

## MAXIMUM RATINGS

$I_F$	100 mA
$P_{DISS}$	75 mW @ $T_C = 25^\circ\text{C}$ per Junction
$T_J$	$-65^\circ\text{C}$ to $+175^\circ\text{C}$
$T_{STG}$	$-65^\circ\text{C}$ to $+175^\circ\text{C}$
$T_{SOLDER}$	$+235^\circ\text{C}$ for 10 seconds



## CHARACTERISTICS $T_C = 25^\circ\text{C}$

SYMBOL	TEST CONDITIONS	MINIMUM	TYPICAL	MAXIMUM	UNITS
$V_F$	$I_F = 1 \text{ mA}$	220	250	290	mV
$V_{BR}$	$I_R = 10 \mu\text{A}$	2			V
$C_T$	$V_R = 0 \text{ V}$ <span style="margin-left: 100px;"><math>f = 1.0 \text{ MHz}</math></span>			0.50	pF
$R_D$	$I_F = 10 \text{ mA}$			5	$\Omega$