



2SD1652



2039

NPN Triple Diffused Planar Silicon Transistor

T-33-11

Color TV Horizontal Deflection Output Applications(with Damper Diode)

©1750B

Applications

- High-voltage, power switching

Features

- Fast speed ($t_{max}=0.4\mu s$).
- High reliability (Adoption of HVP process).
- High breakdown voltage ($V_{CBO}=1500V$).
- Micaless package facilitating mounting operation.

Absolute Maximum Ratings at $T_a=25^\circ C$

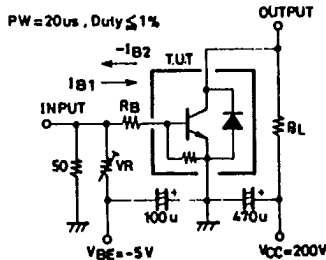
Parameter	Symbol	Value	Unit
Collector to Base Voltage	V_{CBO}	1500	V
Collector to Emitter Voltage	V_{CEO}	800	V
Emitter to Base Voltage	V_{EBO}	6	V
Collector Current	I_C	6	A
Peak Collector Current	i_{cp}	16	A
Collector Dissipation	P_C	60	W
Junction Temperature	T_j	150	$^\circ C$
Storage Temperature	T_{stg}	-55 to +150	$^\circ C$

$T_C=25^\circ C$

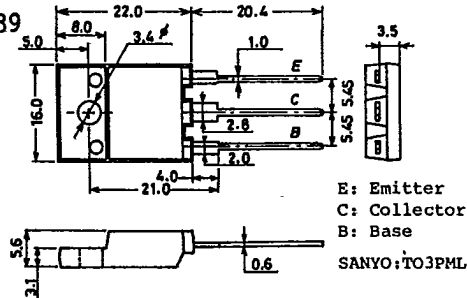
Electrical Characteristics at $T_a=25^\circ C$

Parameter	Symbol	Test Conditions	min	typ	max	unit
Collector Cutoff Current	I_{CBO}	$V_{CB}=800V, I_E=0$			10	μA
Emitter Cutoff Current	I_{EBO}	$V_{EB}=4V, I_C=0$	40		130	mA
DC Current Gain	h_{FE}	$V_{CE}=5V, I_C=1A$	8			
Gain Bandwidth Product	f_T	$V_{CE}=10V, I_C=1A$		3		MHz
Collector to Emitter Saturation Voltage	$V_{CE(sat)}$	$I_C=5A, I_B=1A$			5	V
Base to Emitter Saturation Voltage	$V_{BE(sat)}$	$I_C=5A, I_B=1A$			1.5	V
Collector to Base Breakdown Voltage	$V_{(BR)CBO}$	$I_C=5mA, I_E=0$	1500			V
Collector to Emitter Breakdown Voltage	$V_{(BR)CEO}$	$I_C=100mA, R_{BE}=\infty$	800			V
Emitter to Base Breakdown Voltage	$V_{(BR)EBO}$	$I_E=200mA, I_C=0$	7			V
Diode Forward Voltage	V_F	$I_{EC}=6A$			2	V
Fall Time	t_f	$I_C=5A, I_{B1}=1A, I_{B2}=-2A, V_{CC}=200V, R_L=40\Omega$			0.4	μs

Switching Time Test Circuit



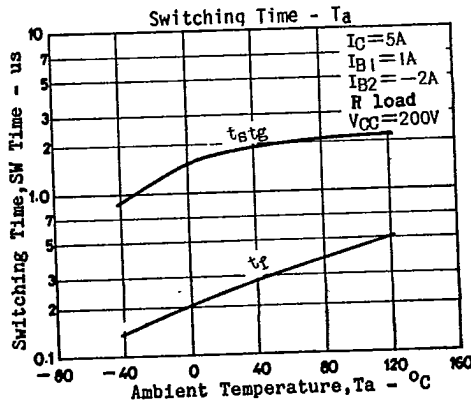
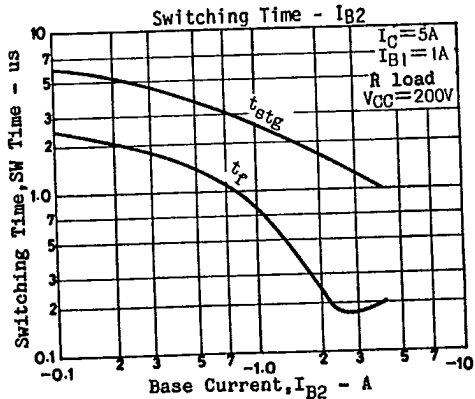
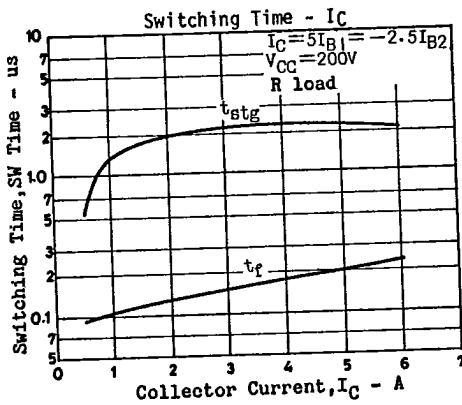
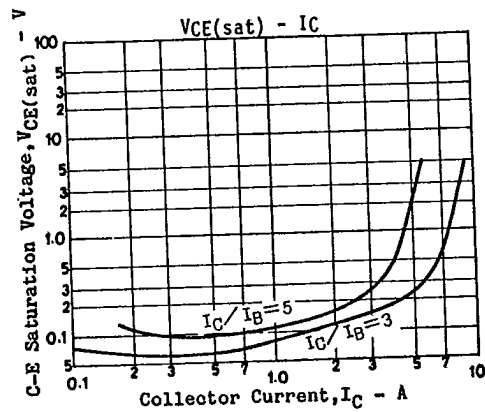
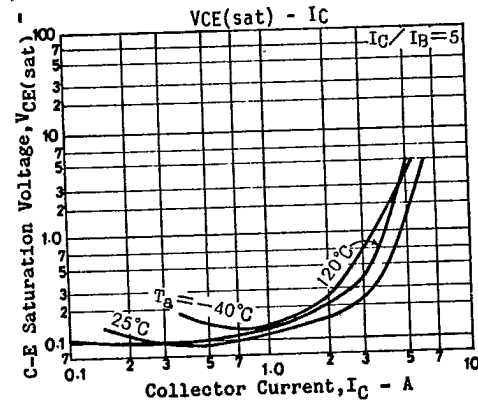
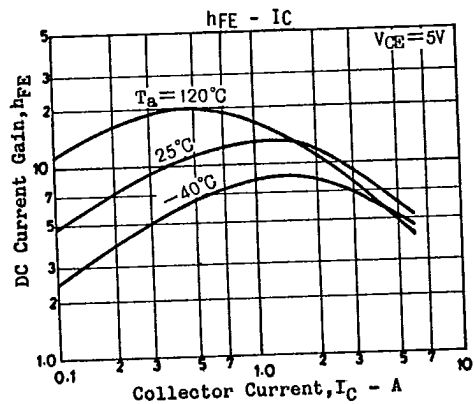
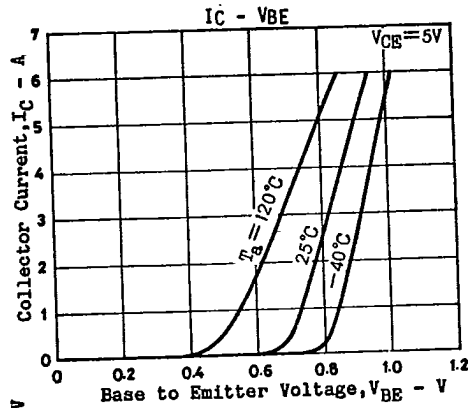
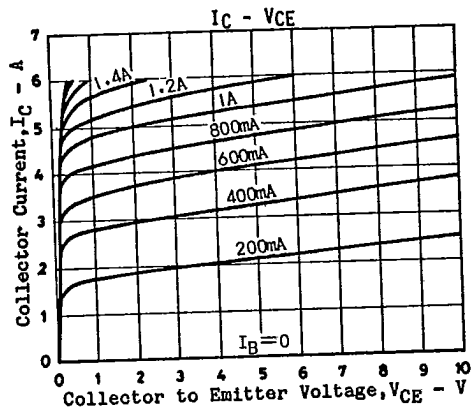
Case Outline 2039 (unit:mm)



5277KI/D244KI, TS No. 1750-1/3

1479

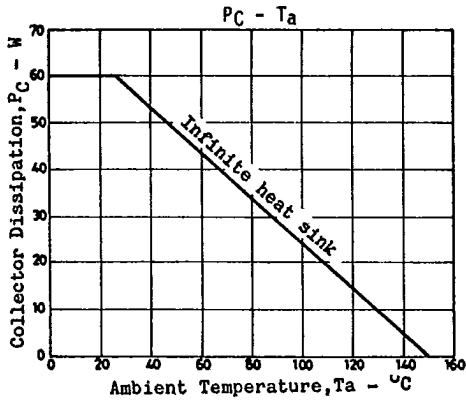
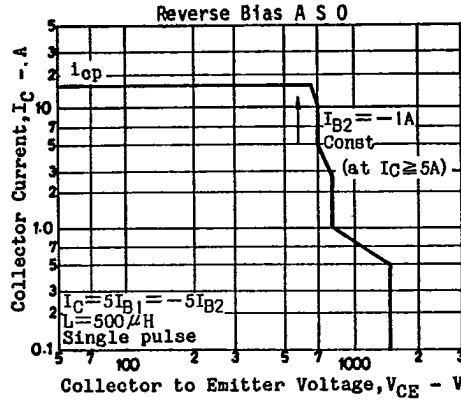
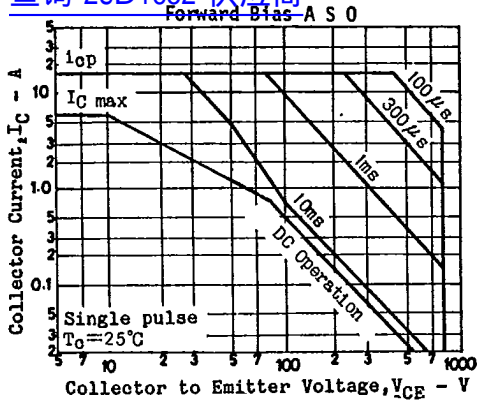
查询"2SD1652"供应商



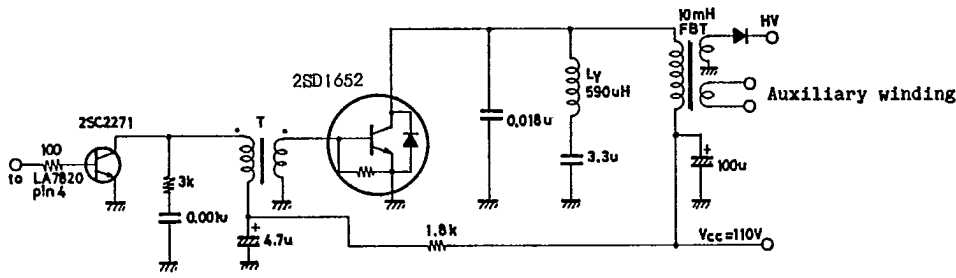
2SD1652

T-33-11

查询 2SD1652 供应商



Sample Application Circuit



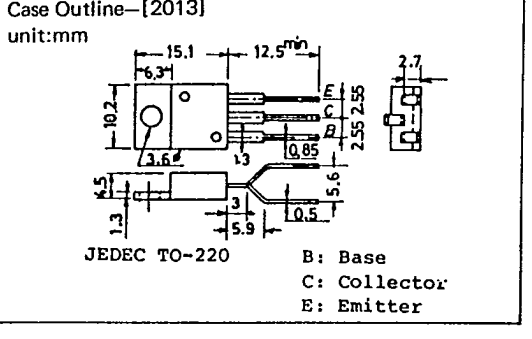
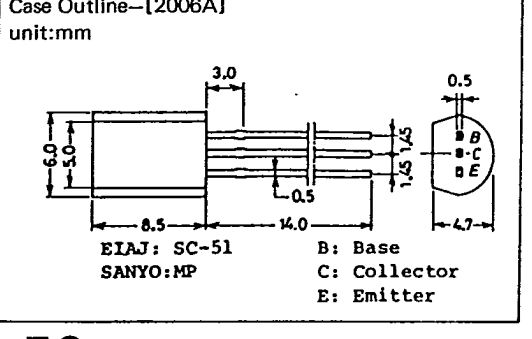
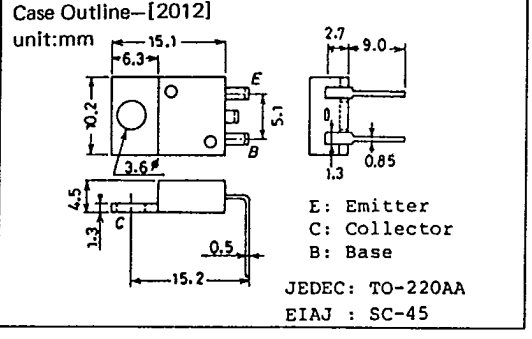
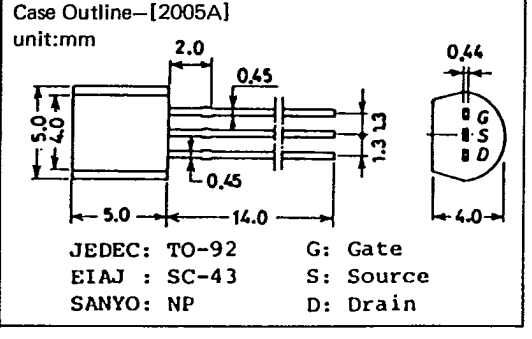
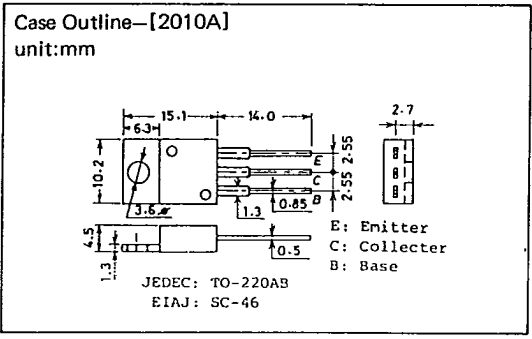
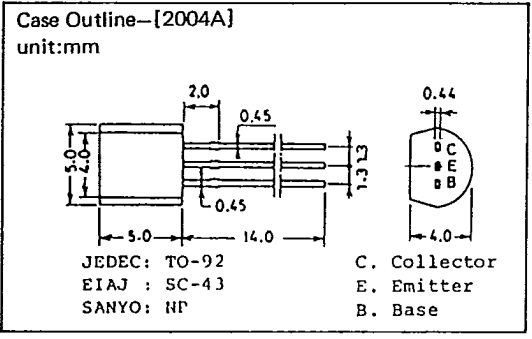
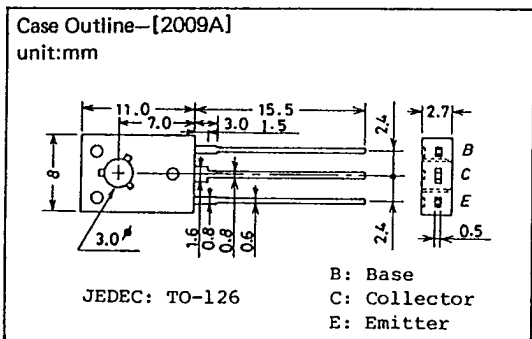
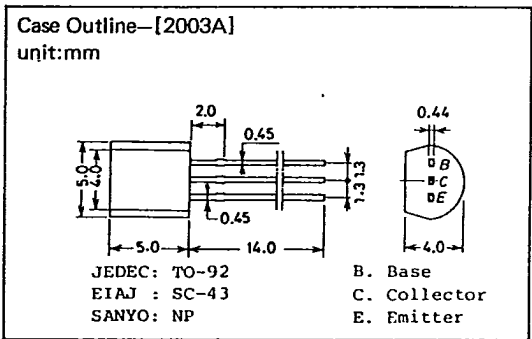
T: C3164 (Tokyo Parts Kogyo)
 NP=1025T
 NS=43 3/4T
 Core DR8X11

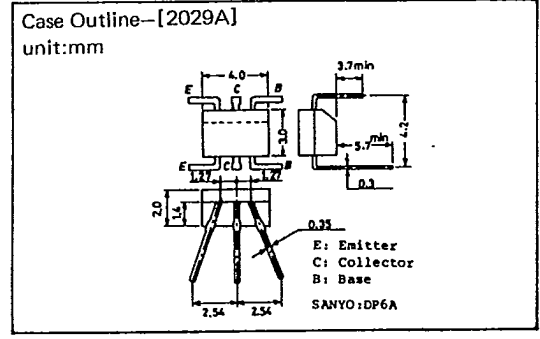
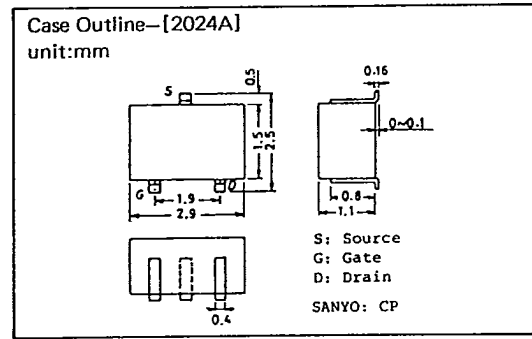
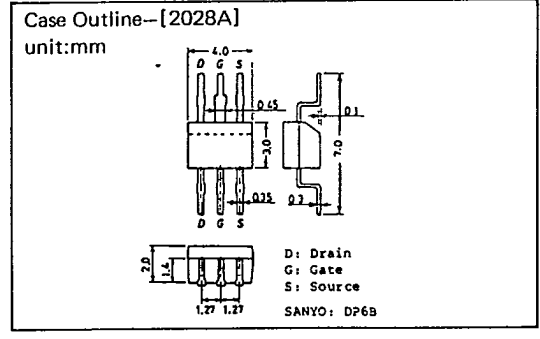
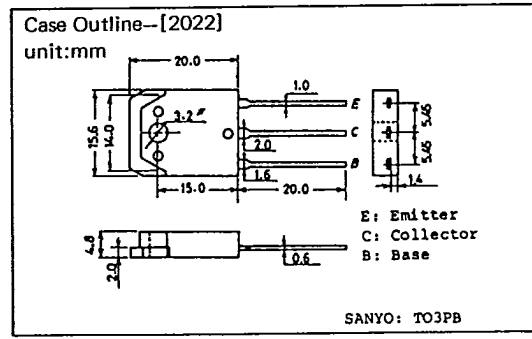
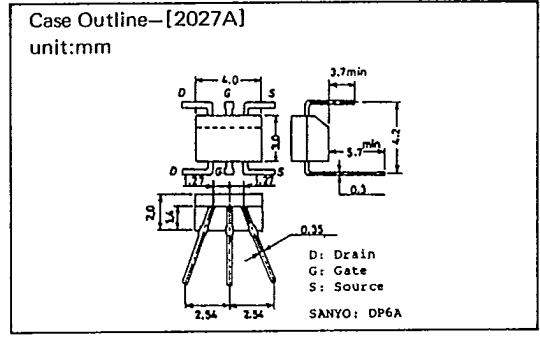
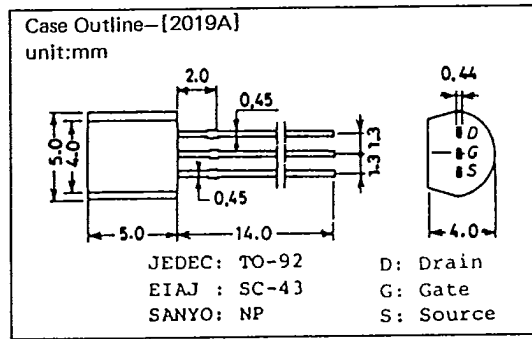
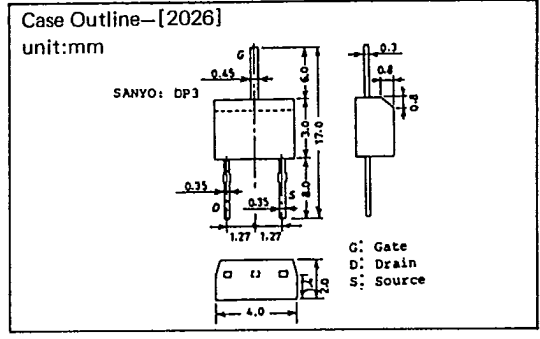
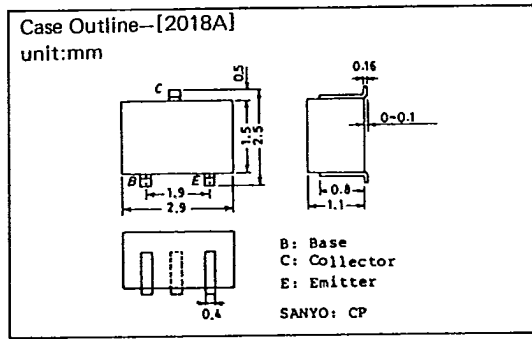
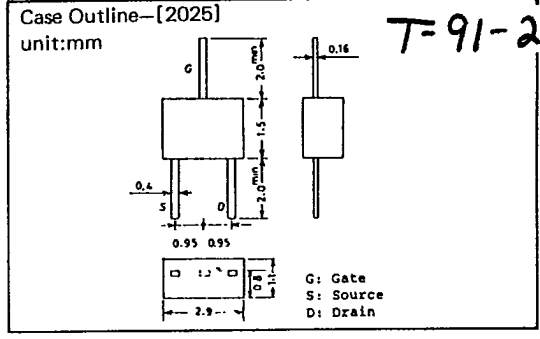
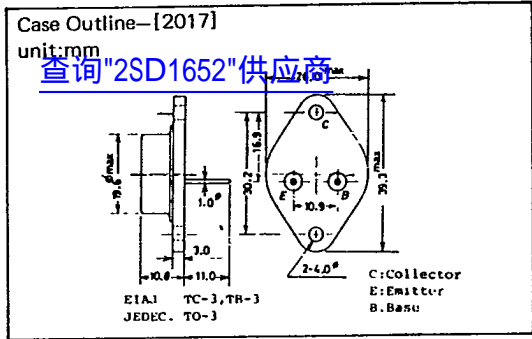
$I_{B1} = 1A$
 $-I_{B2} = 1.4 \sim 2.0A$
 $I_C = 5A$

CASE OUTLINES AND ATTACHMENTS

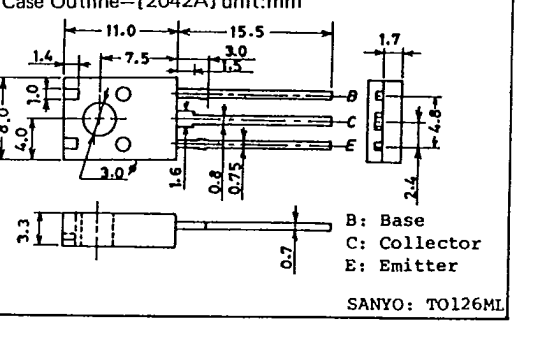
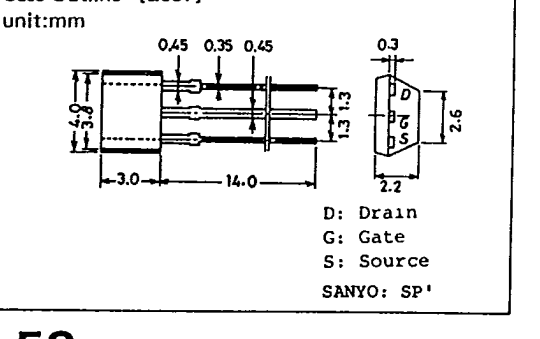
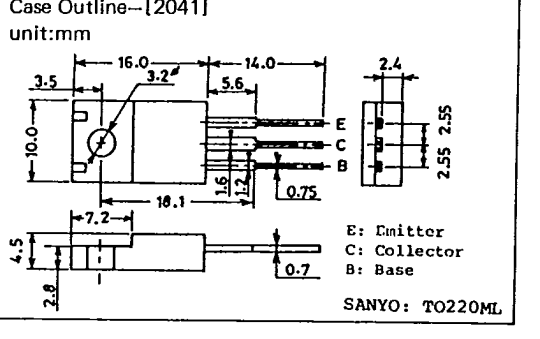
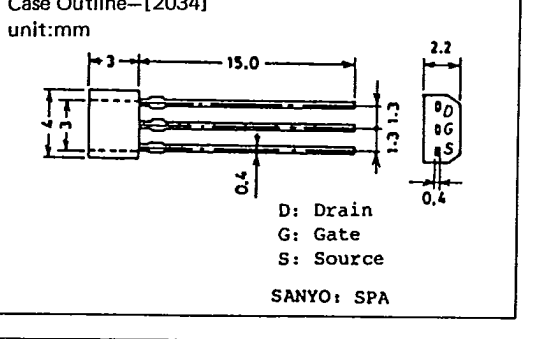
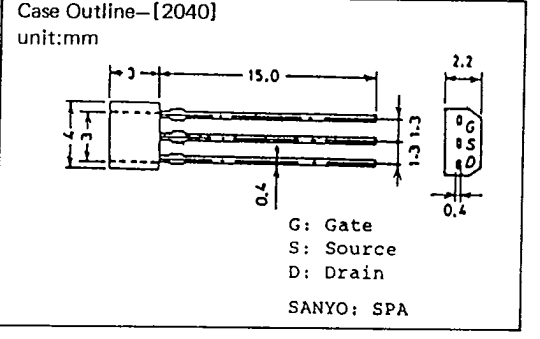
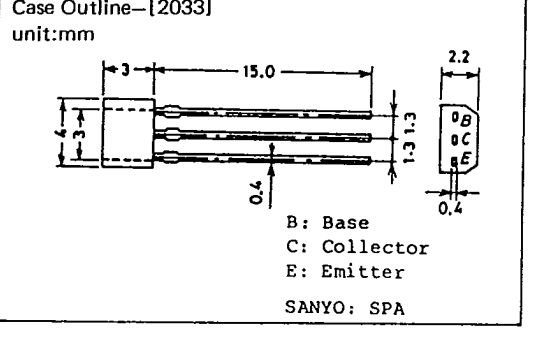
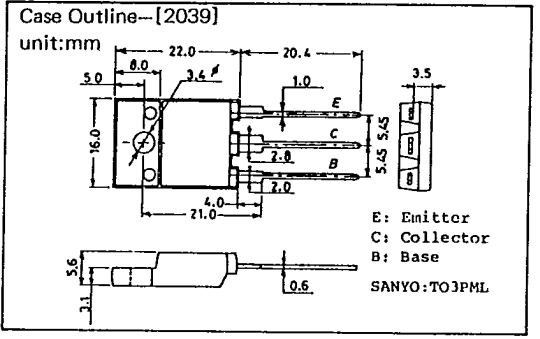
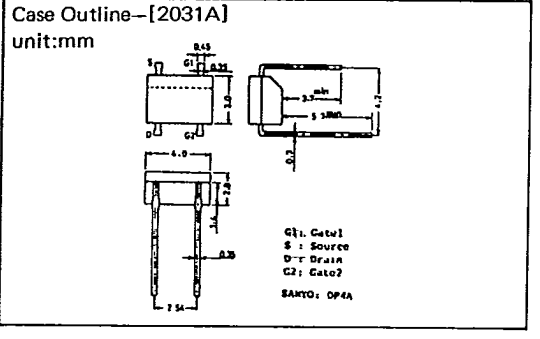
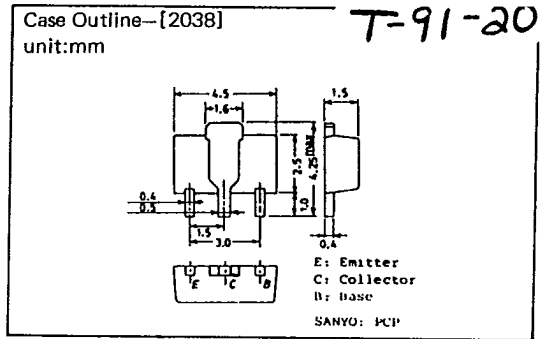
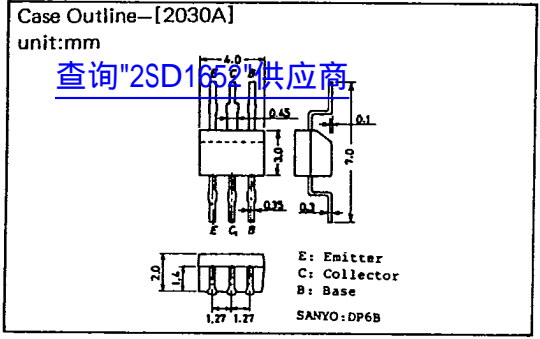
[查询"2SD1652"供应商](#)

- All of Sanyo Transistor case outlines are illustrated below.
- All dimensions are in mm, and dimensions which are not followed by min. or max. are represented by typical values.
- No marking is indicated.

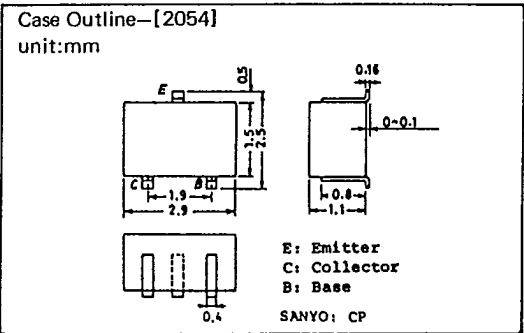
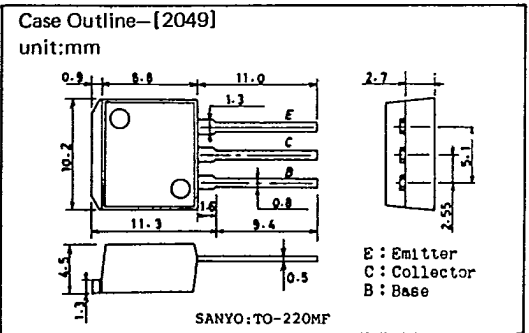
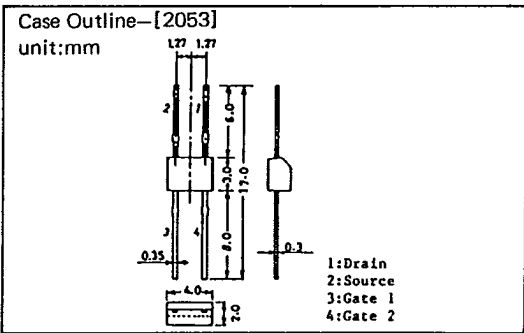
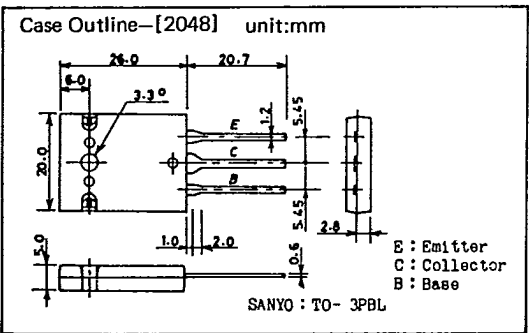
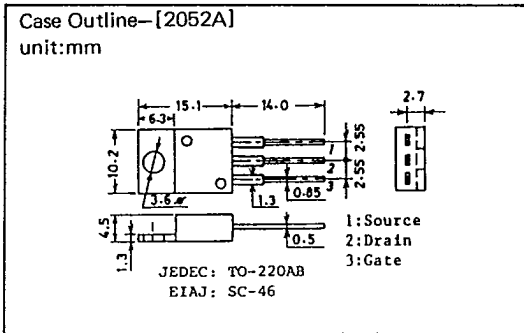
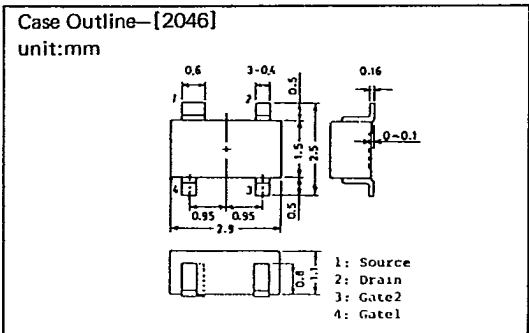
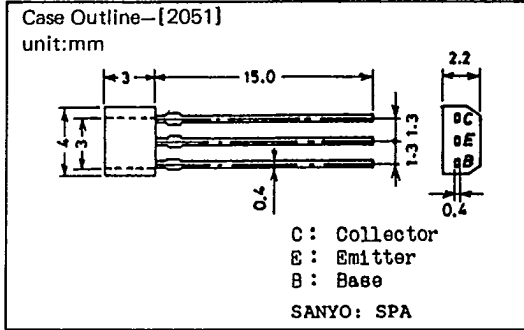
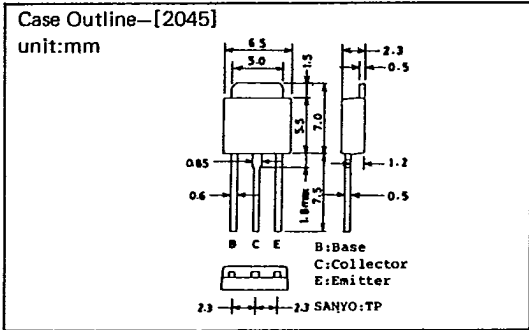
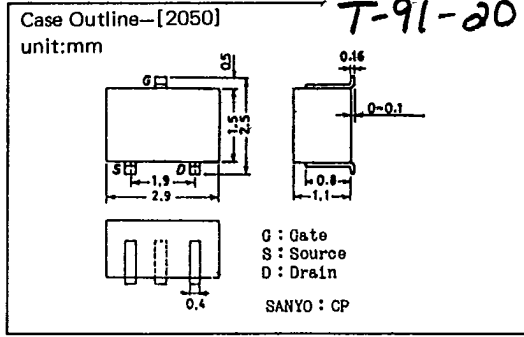
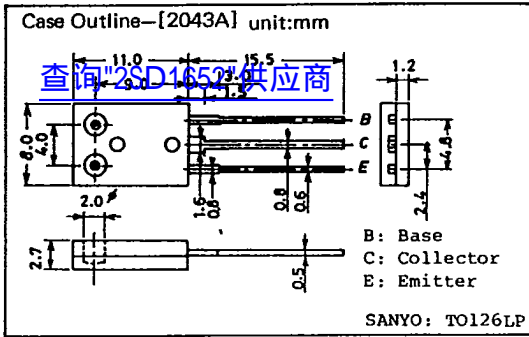


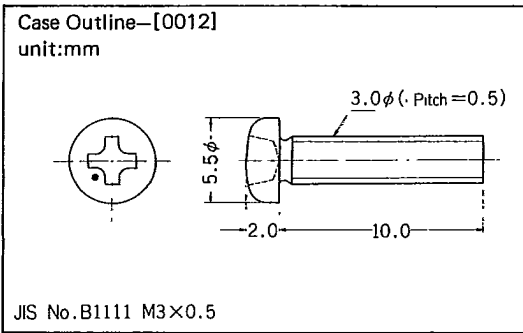
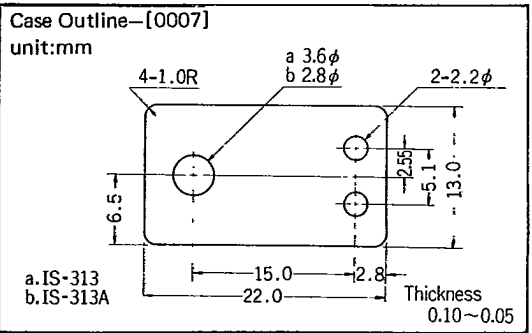
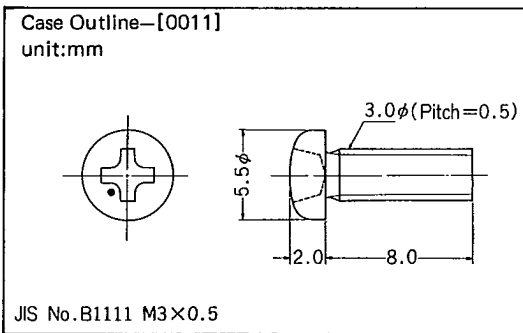
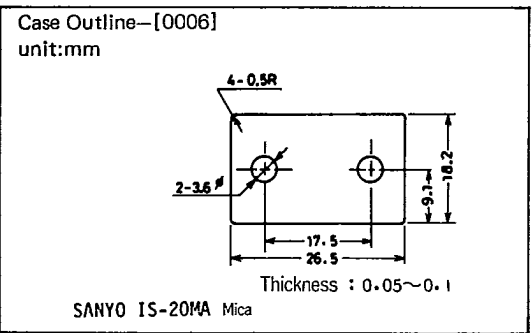
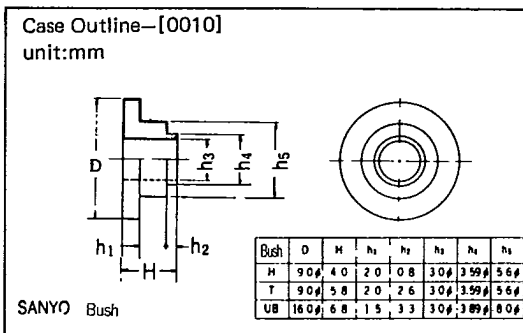
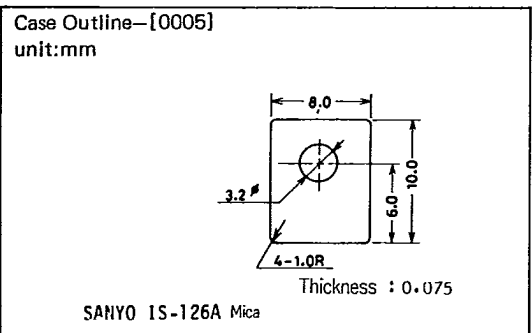
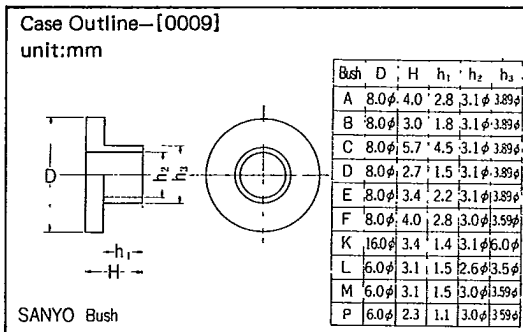
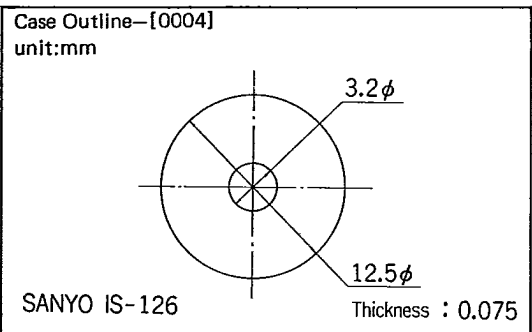
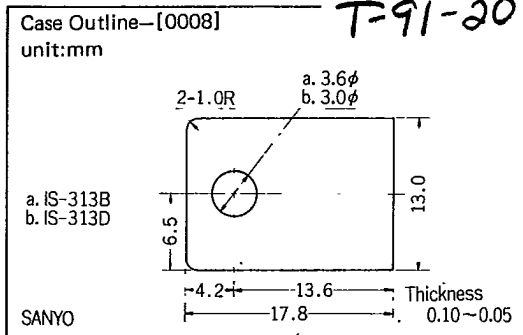
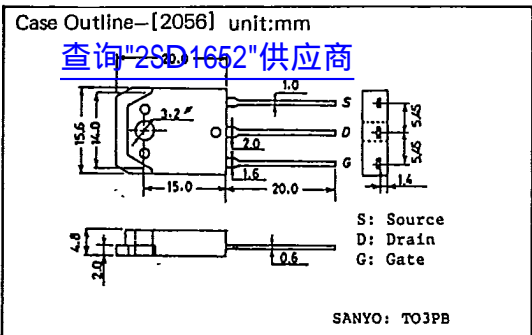


T-91-20



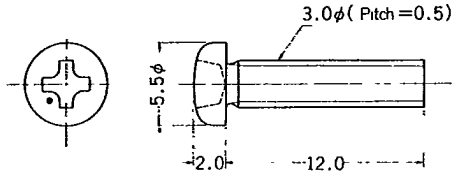
T-91-20





Case Outline-[0013]

unit:mm
[查询"2SD1652"供应商](#)

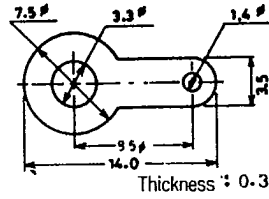


JIS No. B1111 M3×0.5

Case Outline-[0018]

unit:mm

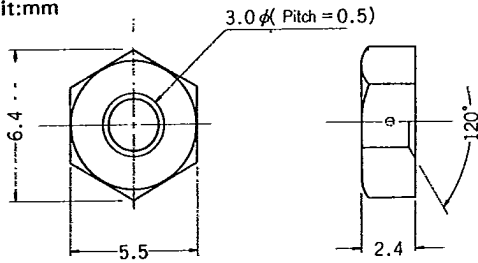
T=91-20



SANYO Lug 1.4

Case Outline-[0014]

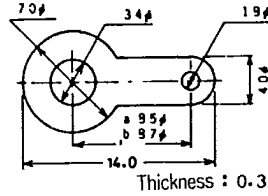
unit:mm



JIS No. B1181 M3×0.5

Case Outline-[0019]

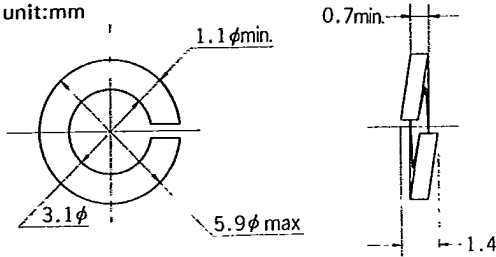
unit:mm



SANYO Lug 1.8φ

Case Outline-[0015]

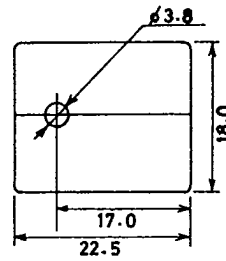
unit:mm



JIS No. B 1251 Spring washer (M3)

Case Outline-[0020]

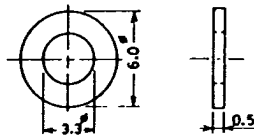
unit:mm



SANYO IS-3MP Mica

Case Outline-[0016]

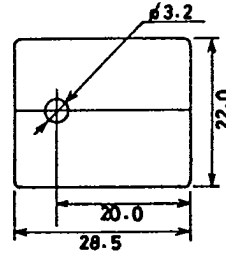
unit:mm



JIS No. B1252 Flat washer

Case Outline-[0021]

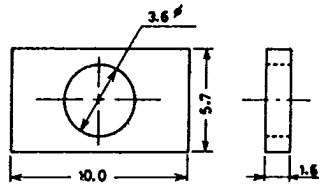
unit:mm



SANYO IS-MPC Mica

Case Outline-[0017]

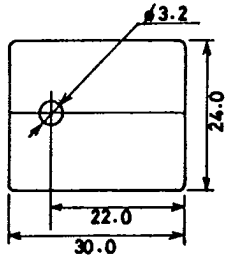
unit:mm



JIS No. G3141 Rectangular washer

Case Outline-[0022]

unit:mm



SANYO IS-3PBL Mica