

# Test & Burn-In SOIC Sockets

[查询"208-7391-55-1902"供应商](#)



- Lid can be actuated from top or front and is compatible with automated load/unload equipment
- Compact envelope and side to side stackability maximize board density
- Tweezer slot for easy manual loading/unloading
- Lid applies 80 grams normal force per lead for maximum electrical reliability
- Accepts Gull Wing JEDEC device sizes in .150" (3.81 mm) and .300" (7.62 mm) body widths

Date Issued: November 1, 1999

TS-0338-08  
Sheet 1 of 4

## Physical

### Insulation

Material: Glass Filled Polyethersulfone  
Flammability: UL 94V-0  
Color: Black

**Marking:** 3M Logo & Part Number Identifier

### Contact

Material: Beryllium-Copper  
Plating: 30 m<sup>l</sup> (0.76 mm) Gold-MIL-G-45204, T type II, Grade C, over 50 m<sup>l</sup> (1.27 mm) Nickel-QQ-N-290A, Class 2

## Environmental

**Current Rating:** 1 Amp  
**Insulation Resistance:**  $> 1 \times 10^{12}$  Wat 500 Vdc  
**Withstanding Voltage:** 1000 Vrms at Sea Level

## Environmental

**Operating Temperature Rating:** - 55 °C to + 150 °C

3M Electronic Handling and Protection Division

6801 River Place Blvd.  
Austin, TX 78726-9000

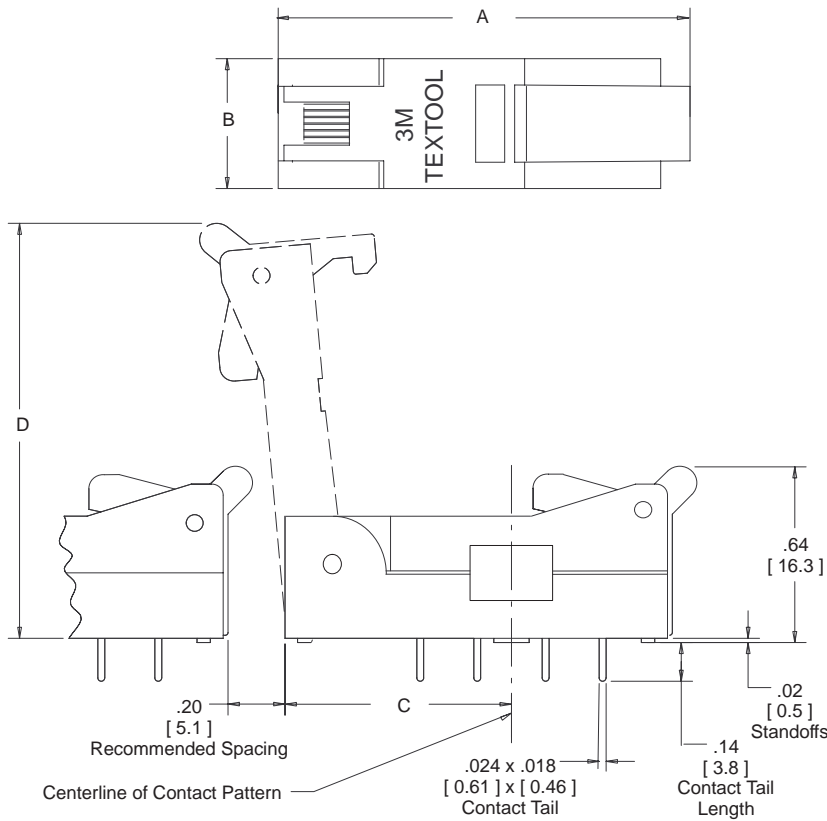
For technical, sales or ordering information call **800-328-0411**  
or visit our website: <http://www.3M.com/ehpd>



# Test & Burn-In SOIC Sockets

[查询"208-7391-55-1902"供应商](#)

Part Number	Dimensions			
	A	B	C	D
7391				
7390	1.45 [ 36.8 ]	.47 [ 11.9 ]	.79 [ 20.0 ]	1.52 [ 38.0 ]
7383				
7224				
7223	1.59 [ 40.4 ]	.57 [ 14.5 ]	.86 [ 21.8 ]	1.64 [ 41.7 ]
7201				
7397				
7396	1.69 [ 42.9 ]	.80 [ 20.3 ]	.92 [ 23.3 ]	1.74 [ 44.2 ]
7474				



Dimension	Tolerance	
	inch	mm
	.00 (.0)	.000 (.00)
Tolerance	± .010 (± .25)	± .005 (± .13)

## Ordering Information

Part Number	Leads	SOIC Body Width
208-7391-55-1902	8	.150 [ 3.81 ]
214-7390-55-1902	14	
216-7383-55-1902	16	
216-7224-55-1902	18	.300 [ 7.62 ]
218-7223-55-1902	18	
220-7201-55-1902	20	
224-7397-55-1902	24	
228-7396-55-1902	28	
228-7474-55-1902	28	.330 [ 8.38 ]

TS-0338-08  
Sheet 2 of 4

## 3M Electronic Handling and Protection Division

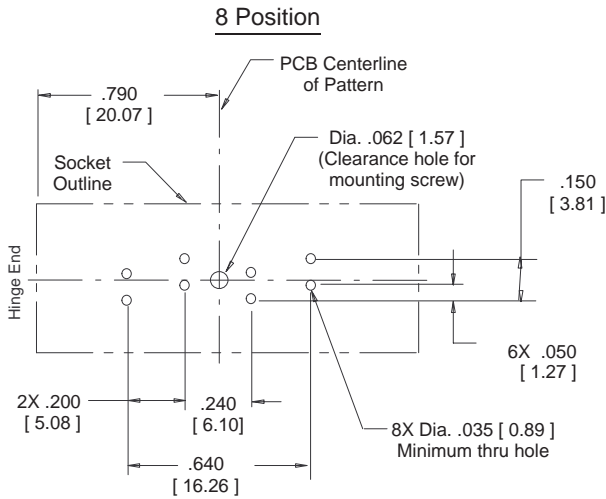
6801 River Place Blvd.  
Austin, TX 78726-9000

For technical, sales or ordering information call **800-328-0411**  
or visit our website: <http://www.3M.com/ehpd>

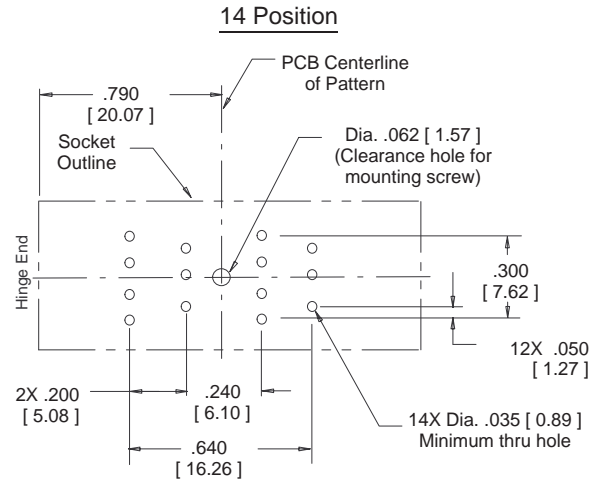
# Test & Burn-In SOIC Sockets

[查询"208-7391-55-1902"供应商](#)

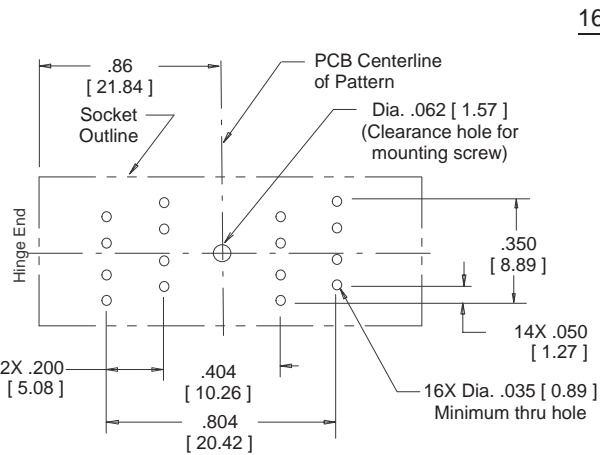
## P.C. Board Patterns



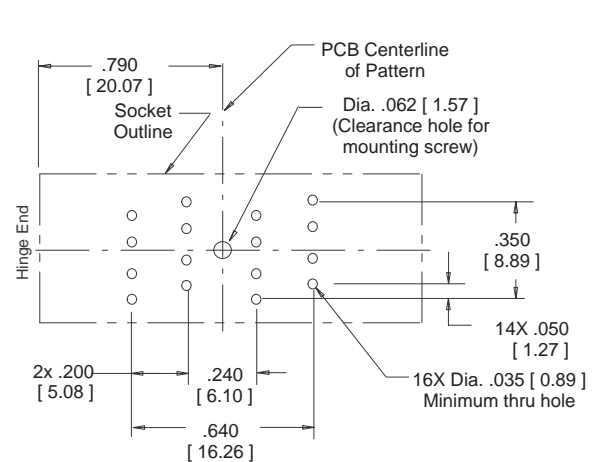
208-7391-55-1902



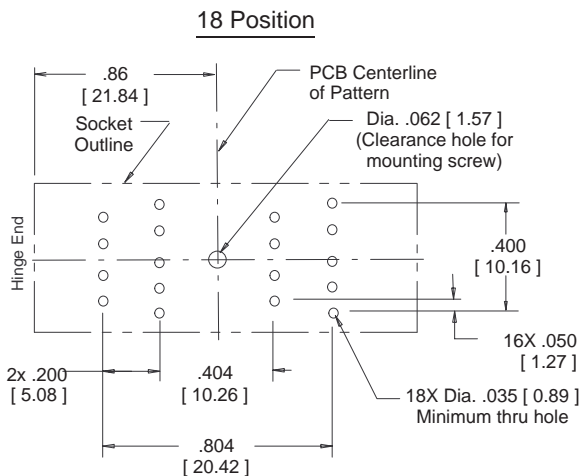
214-7390-55-1902



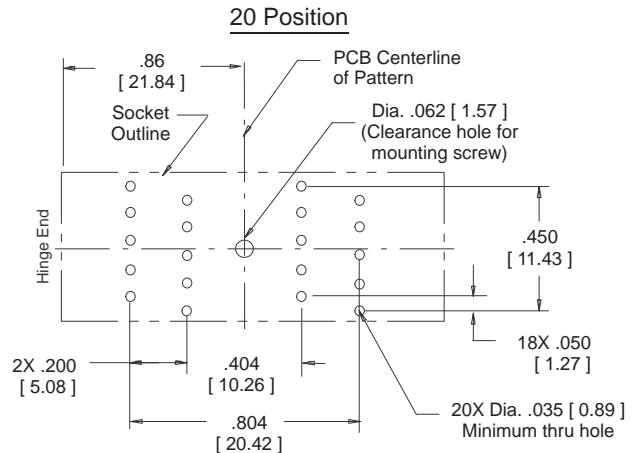
216-7224-55-1902



216-7383-55-1902



218-7223-55-1902



220-7201-55-1902

TS-0338-08  
Sheet 3 of 4

### 3M Electronic Handling and Protection Division

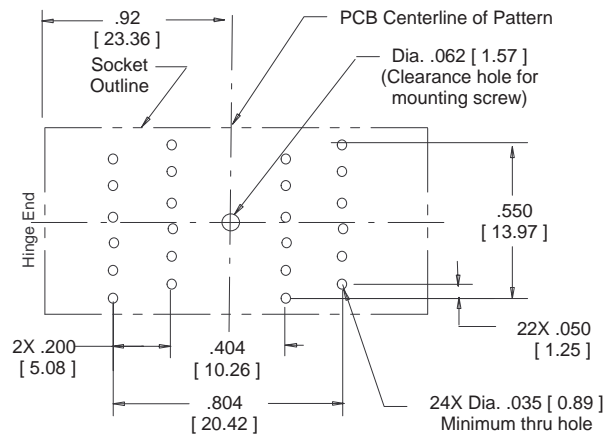
6801 River Place Blvd.  
Austin, TX 78726-9000

For technical, sales or ordering information call **800-328-0411**  
or visit our website: <http://www.3M.com/ehpd>

# Test & Burn-In SOIC Sockets

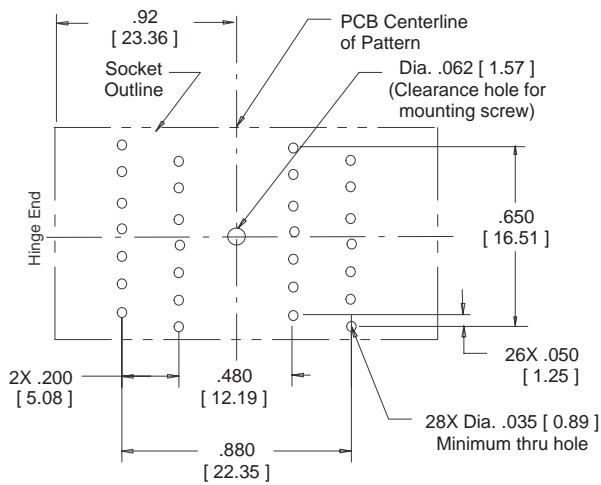
[查询"208-7391-55-1902"供应商](#)

## 24 Position

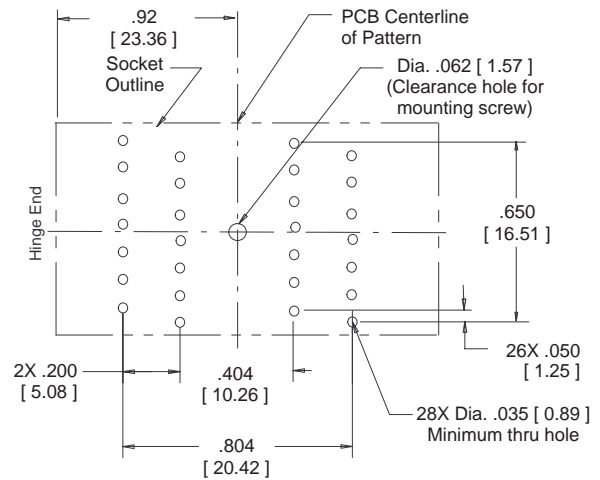


224-7397-55-1902

## 28 Position



228-7474-55-1902



228-7396-55-1902

Note: P.C. Board patterns are <sup>TM</sup>component side .

TS-0338-08  
Sheet 4 of 4

## 3M Electronic Handling and Protection Division

6801 River Place Blvd.  
Austin, TX 78726-9000

For technical, sales or ordering information call **800-328-0411**  
or visit our website: <http://www.3M.com/ehpd>