

FAIRCHILD
SEMICONDUCTOR™

August 1986
Revised April 2000

DM74S174 • DM74S175 Hex/Quad D Flip-Flop with Clear

General Description

These positive-edge-triggered flip-flops utilize TTL circuitry to implement D-type flip-flop logic. All have a direct clear input, and the quad (DM74S175) versions feature complementary outputs from each flip-flop.

Information at the D inputs meeting the setup time requirements is transferred to the Q outputs on the positive-going edge of the clock pulse. Clock triggering occurs at a particular voltage level and is not directly related to the transition time of the positive-going pulse. When the clock input is at either the HIGH or LOW level, the D input signal has no effect at the output.

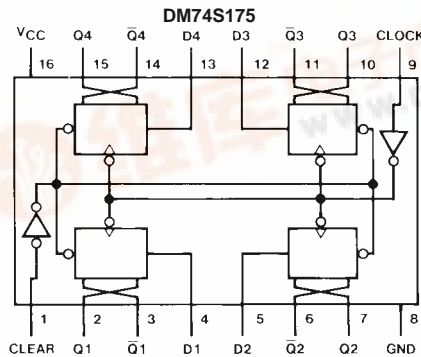
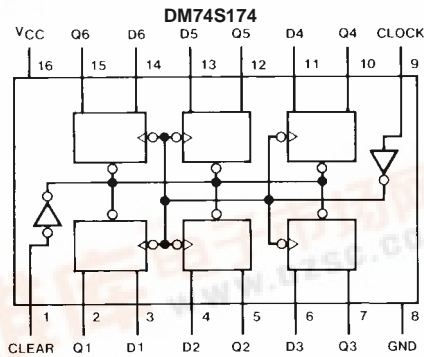
Features

- DM74S174 contain six flip-flops with single-rail outputs.
- DM74S175 contain four flip-flops with double-rail outputs.
- Buffered clock and direct clear inputs
- Individual data input to each flip-flop
- Applications include:
 - Buffer/storage registers
 - Shift registers
 - Pattern generators
- Typical clock frequency 110 MHz
- Typical power dissipation per flip-flop 75mW

Ordering Code:

| Order Number | Package Number | Package Description |
|--------------|----------------|---|
| DM74S174N | N16E | 16-Lead Plastic Dual-In-Line Package (PDIP), JEDEC MS-001, 0.300 Wide |
| DM74S175N | N16E | 16-Lead Plastic Dual-In-Line Package (PDIP), JEDEC MS-001, 0.300 Wide |

Connection Diagrams



DM74S174 • DM74S175 Hex/Quad D Flip-Flop with Clear



DM74S174 • DM74S175

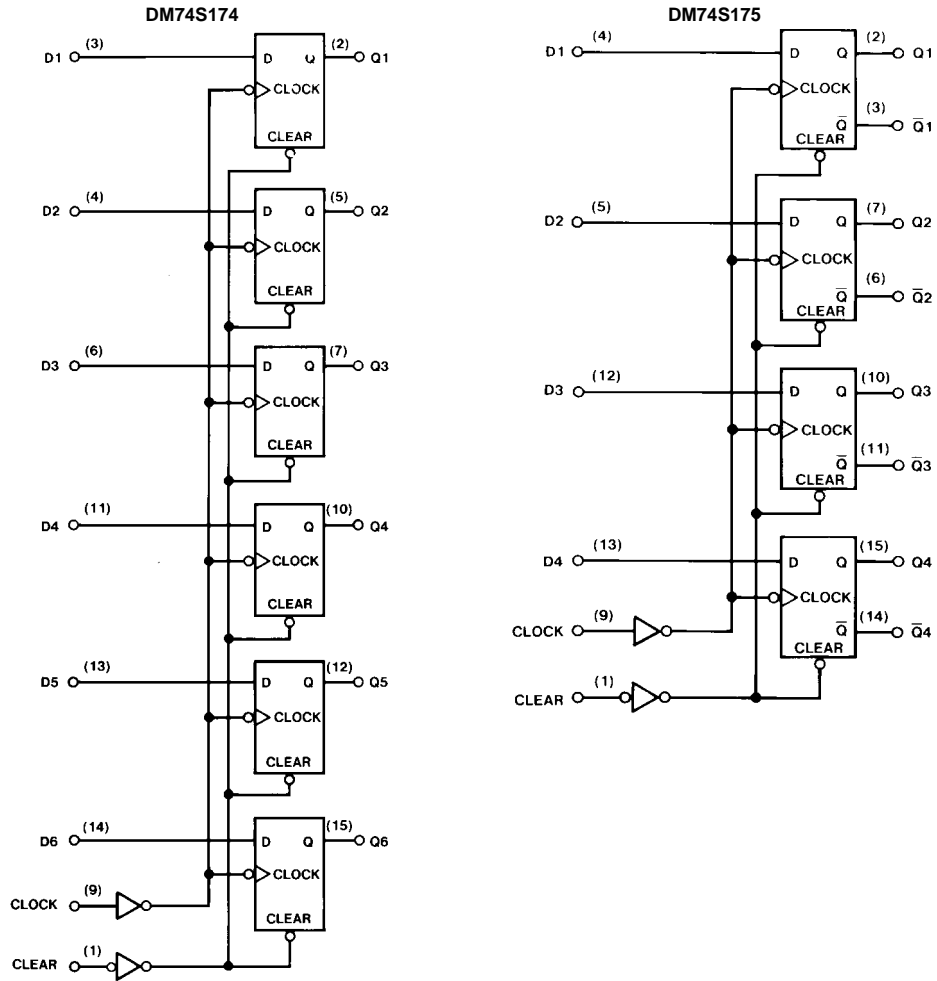
Function Table (Each Flip-Flop)

| Inputs | | | Outputs | |
|--------|-------|---|----------------|----------------|
| Clear | Clock | D | Q | Q (Note 1) |
| L | X | X | L | H |
| H | ↑ | H | H | L |
| H | ↑ | L | L | H |
| H | L | X | Q ₀ | Q ₀ |

H = HIGH Level (steady state)
 L = LOW Level (steady state)
 X = Don't Care
 ↑ = Transition from LOW-to-HIGH level
 Q₀ = The level of Q before the indicated steady-state input conditions were established.

Note 1: DM74S175 only.

Logic Diagrams



| Symbol | Parameter | Min | Nom | Max | Units |
|------------------|--------------------------------|-------|-----|------|-------|
| V _{CC} | Supply Voltage | 4.75 | 5 | 5.25 | V |
| V _{IH} | HIGH Level Input Voltage | 2 | | | V |
| V _{IL} | LOW Level Input Voltage | | | 0.8 | V |
| I _{OH} | HIGH Level Output Current | | | -1 | mA |
| I _{OL} | LOW Level Output Current | | | 20 | mA |
| f _{CLK} | Clock Frequency (Note 3) | 0 | 110 | 75 | MHz |
| f _{CLK} | Clock Frequency (Note 4) | 0 | 90 | 65 | MHz |
| t _W | Pulse Width (Note 3) | Clock | 7 | | ns |
| | | Clear | 10 | | |
| | Pulse Width (Note 4) | Clock | 9 | | |
| | | Clear | 12 | | |
| t _{SU} | Data Setup Time (Note 3) | 5 | | ns | |
| | Data Setup Time (Note 4) | 7 | | | |
| t _H | Data Hold Time (Note 3) | 3 | | ns | |
| | Data Hold Time (Note 4) | 5 | | | |
| t _{REL} | Clear Release Time (Note 3) | 5 | | ns | |
| | Clear Release Time (Note 4) | 7 | | | |
| T _A | Free Air Operating Temperature | 0 | | 70 | °C |

Absolute Maximum Ratings(Note 2)

Supply Voltage 7V
 Input Voltage 5.5V
 Operating Free Air Temperature Range 0°C to +70°C
 Storage Temperature Range -65°C to +150°C

Note 2: The "Absolute Maximum Ratings" are those values beyond which the safety of the device cannot be guaranteed. The device should not be operated at these limits. The parametric values defined in the Electrical Characteristics tables are not guaranteed at the absolute maximum ratings. The "Recommended Operating Conditions" table will define the conditions for actual device operation.

Recommended Operating Conditions

Note 3: C_L = 15 pF, R_L = 280Ω, T_A = 25°C and V_{CC} = 5V.
Note 4: C_L = 50 pF, R_L = 280Ω, T_A = 25°C and V_{CC} = 5V.

DM74S174 • DM74S175

| Electrical Characteristics | | | | | | | |
|--|--|--|-----------------------|--------------|-----------------------|---------------|-------|
| over recommended operating free air temperature (unless otherwise noted) | | | | | | | |
| Symbol | Parameter | Conditions | Min | Typ (Note 5) | Max | Units | |
| V_I | Input Clamp Voltage | $V_{CC} = \text{Min}, I_I = -18 \text{ mA}$ | | | -1.2 | V | |
| V_{OH} | HIGH Level Output Voltage | $V_{CC} = \text{Min}, I_{OH} = \text{Max}$ $V_{IL} = \text{Max}, V_{IH} = \text{Min}$ | 2.7 | 3.4 | | V | |
| V_{OL} | LOW Level Output Voltage | $V_{CC} = \text{Min}, I_{OL} = \text{Max}$ $V_{IH} = \text{Min}, V_{IL} = \text{Max}$ | | | 0.5 | V | |
| I_I | Input Current @ Max Input Voltage | $V_{CC} = \text{Max}, V_I = 5.5\text{V}$ | | | 1 | mA | |
| I_{IH} | HIGH Level Input Current | $V_{CC} = \text{Max}, V_I = 2.7\text{V}$ | | | 50 | μA | |
| I_{IL} | LOW Level Input Current | $V_{CC} = \text{Max}, V_I = 0.5\text{V}$ | | | -2 | mA | |
| I_{OS} | Short Circuit Output Current | $V_{CC} = \text{Max}$ (Note 6) | -40 | | -100 | mA | |
| I_{CC} | Supply Current (DM74S174) | $V_{CC} = \text{Max}$ (Note 7) | | 90 | 144 | mA | |
| I_{CC} | Supply Current (DM74S175) | $V_{CC} = \text{Max}$ (Note 7) | | 60 | 96 | mA | |
| <p>Note 5: All typicals are at $V_{CC} = 5\text{V}, T_A = 25^\circ\text{C}$.</p> <p>Note 6: Not more than one output should be shorted at a time, and the duration should not exceed one second.</p> <p>Note 7: With all outputs OPEN and 4.5V applied to all DATA and CLEAR inputs, I_{CC} is measured after a momentary ground, then 4.5V applied to the CLOCK input.</p> | | | | | | | |
| Switching Characteristics | | | | | | | |
| at $V_{CC} = 5\text{V}$ and $T_A = 25^\circ\text{C}$ | | | | | | | |
| Symbol | Parameter | From (Input) To (Output) | $R_L = 280\Omega$ | | | | Units |
| | | | $C_L = 15 \text{ pF}$ | | $C_L = 50 \text{ pF}$ | | |
| | | | Min | Max | Min | Max | |
| f_{MAX} | Maximum Clock Frequency | | 75 | | 65 | | MHz |
| t_{PLH} | Propagation Delay Time LOW-to-HIGH Level Output | Clock to Output | | 12 | | 15 | ns |
| t_{PHL} | Propagation Delay Time HIGH-to-LOW Level Output | Clock to Output | | 17 | | 21 | ns |
| t_{PLH} | Propagation Delay Time LOW-to-HIGH Level Output (DM74S175 Only) | Clear to \bar{Q} | | 15 | | 18 | ns |
| t_{PHL} | Propagation Delay Time HIGH-to-LOW Level Output | Clear to Q | | 22 | | 23 | ns |

