

This drawing is the property of Greenpar Connectors and must not be disclosed to a third party without written permission.

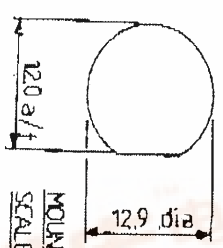
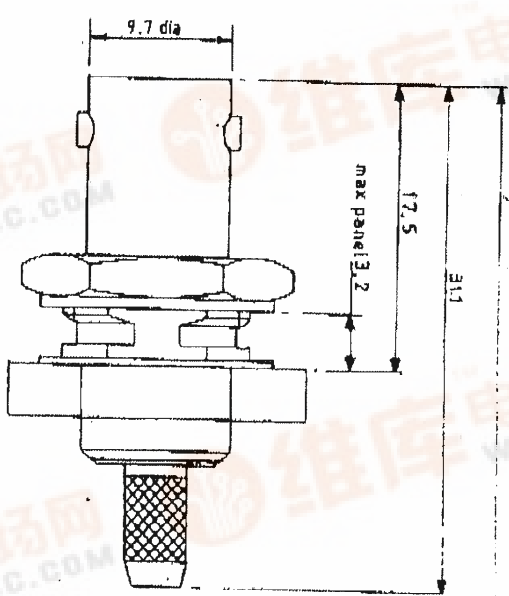
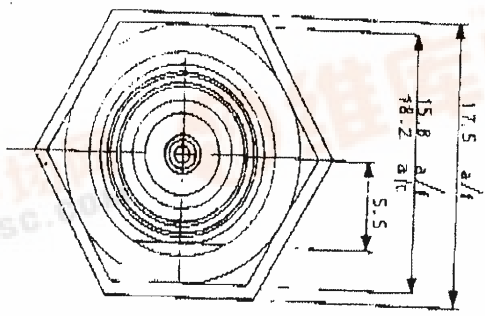
PIECE PART MATERIAL CHART

PART DESCRIPTION	MATERIAL				
	BRASS	BERYL/STAINLESS COPPER	STAINLESS STEEL	SILICON	PIECE OTHER
BODY	✓				
MALE CONTACT					
FEMALE CONTACT		✓			
INSULATOR				✓	
CLAMP NUT					
PLAIN GASKET				✓	
HEX NUT					
LOCKWASHER					
CRIMP SLEEVE		✓			

PLATING FINISHES

FINISH AVAILABLE FINISHES	FINISH					
	E	H	J	G	W	Z
✓	✓	✓	✓	✓	✓	✓

*-Cable entry area is flared for ease of soldering.



MOUNTING DETAILS
SCALE 2/11

ENGINEERING DATA DRAWING

TITLE	REAR MOUNTING	CRIMP/CRIMP
	BNC BULKHEAD JACK	CAPTIVE CONTACT
PART NUMBER	B37H97	

密詢: 810800-1 供應商

General Limits unless stated otherwise:
 Fractions +/- 1/64"
 Angles +/- 1/2°
 Hatching symbols: All dimensions in inches.
 For finish refer to assembly parts list.

Greenpar Connectors Cambridge Road Haver Essex CM20 2ER

DRN BY	P.J.G.	DEV	
CRD BY	A.R.	PKD	
DATE	10/3/88	DC	
ISSUE	1	AMENDMENT	
DATE	27-4-88		

