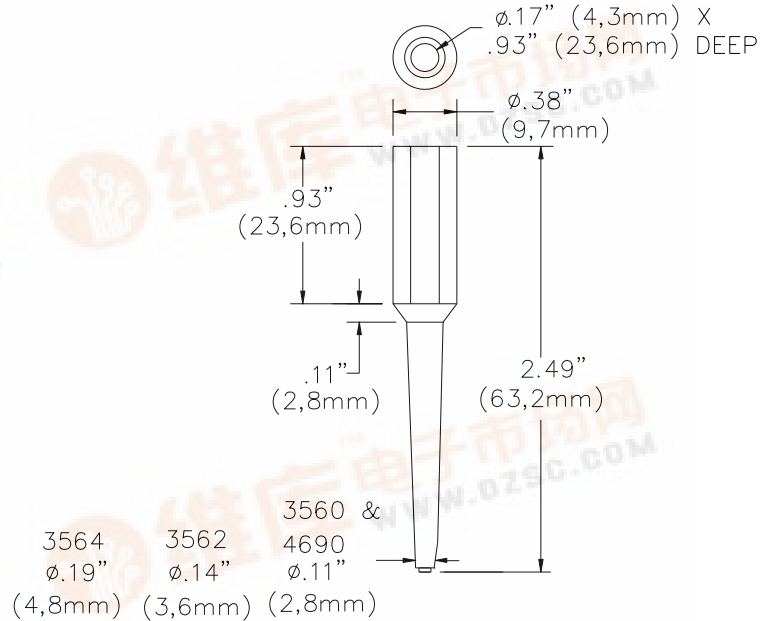


Model 3560, 3562, 3564, 4690 Banana Jack To #12, 16, 20 & 22 Socket



FEATURES:

- ✓ Ideal test adapters for rapid testing of the hard-to-get to pins of multi-pin connectors.
- ✓ Flexible tip allows testing of adjacent contacts.
- ✓ Full insulation protects against shorting or contact damage.
- ✓ Model 4690 will also slip over 0.025" (0.63mm) square pins.

MATERIALS:

Insulation: Polyvinyl chloride (PVC)
Banana Jack Body (upper connector)

Material: Brass.

Finish: Bright Tin plated

Socket (lower connector):

Material: Copper Alloy

Finish: Gold over copper plate

Model	Contact Size	Type	Current
4690	22 AWG .030" (.76mm)	Socket	5 Amps
3560	20 AWG .040" (1.02mm)	Socket	7.5 Amps
3562	16 AWG .063" (1.60mm)	Socket	13 Amps
3564	12 AWG .093" (2.36mm)	Socket	24 Amps

Ratings:

Hands free testing in controlled voltage environments:
2500 Vrms Max. *For CE compliance:* not intended for
hand-held use at voltages above 33 Vrms/70 Vdc.
Operating Temperature: +131F (+55C) Max.

ORDERING INFORMATION: Model: 3560-*, 3562-*, 3564-*, 4690-*

*=Color, -0 Black, -2 Red Ordering Example: 3560-2 (red adapter)

Test Kit 6481: contains 18 pieces, one red and one black adapter of each adapter; 3560, 3561, 3562, 3563, 3564, 3565, 4690, 4691 and one set of model 6358 test leads.

For banana jack to test pins, see models: 3561, 3562, 3565, 4691

All dimensions are in inches. Tolerances (except noted): .xx = ±.02" (.51 mm), .xxx = ±.005" (.127 mm).

All specifications are to the latest revisions. Specifications are subject to change without notice.

Registered trademarks are the property of their respective companies.

Sales: 800-490-2361 Fax: 888-403-3360 Technical Support: 800-241-2060 (technicalsupport@pomonatest.com)

For "Where to Buy" information, visit the Pomona web site at www.pomonaelectronics.com

Pomona®

The items included with this product are certified to meet IEC 1010-2-031 safety requirements.

Les éléments inclus avec ce produit sont certifiés pour répondre à des exigences de sûreté du IEC 1010-2-031.

Los items incluidos con este producto se certifican para resolver requisitos de seguridad del IEC 1010-2-031.

- Only IEC 1010 type shrouded test plugs should be used with IEC 1010 type jacks. NEVER INSERT A PROBE TIP WITH BANANA SPRING INTO A TEST ACCESSORY JACK THAT WILL BE USED AS A HAND HELD PROBING DEVICE

-Seuls les vérificateurs de tension renforcés de type IEC 1010 devraient être utilisés avec des jacks de type IEC 1010. NE JAMAIS INSERER DE BOUT DE SONDE AVEC RESSORT BANANE DANS UN JACK D'ESSAI D'ACCESSOIRES QUI SERA UTILISE COMME DISPOSITIF DE SONDAGE A MAIN.

-Se deben usar sólo tapones de prueba reforzados del tipo IEC 1010 con receptáculos de tipo IEC 1010. NUNCA INTRODUZCA UNA CLAVIJA CON UN MUELLE TIPO BANANA EN UN RECEPTACULO DE PRUEBA QUE A SU VEZ SE USE COMO APARATO DE PRUEBA MANUAL.

12

Both Direct and Alternating Current.
 Courant Continu et Alternatif.
 Corriente Directa y Alterna.



Caution ! Refer to Accompanying Documents.
 Attention ! Se Reporter aux Documents joints.
 ¡ Peligro! Consulte los Documentos Adjuntos.



Double Insulation or Reinforced Insulation.
 Isolation Double ou Isolation Renforcée.
 Aislamiento Doble o Aislamiento Reforzado.



Caution ! Risk of Electric Shock.
 Attention ! Risque de Choc Électrique.
 ¡ Peligro! Riesgo de Sacudida Eléctrica.

CAT

Overtension Category I, II, III or IV.
 Surtension Catégorie I, II, III ou IV.
 Sobretensión de Categoría I, II III o IV.

Pomona Electronics **CE**

PO Box 9090, Everett, WA 98206-9090 TEL: 800-490-2361

All dimensions are in inches. Tolerances (except noted): .xx = ±.02" (.51 mm), .xxx = ± .005" (.127 mm).

All specifications are to the latest revisions. Specifications are subject to change without notice.

Registered trademarks are the property of their respective companies.

Sales: 800-490-2361 Fax: 888-403-3360 Technical Support: 800-241-2060 (technicalsupport@pomonatest.com)
 For "Where to Buy" information, visit the Pomona web site at www.pomonaelectronics.com