

KR Electronics 2662 Bandpass Filter

General Description

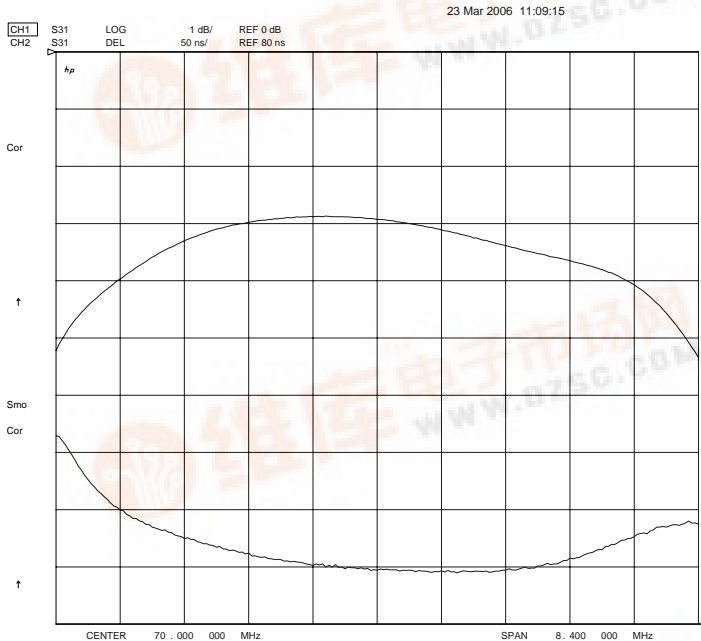
KR 2662 is a 70 MHz surface mount bandpass filter. Other center frequencies and bandwidths available. Please consult the factory.

Features

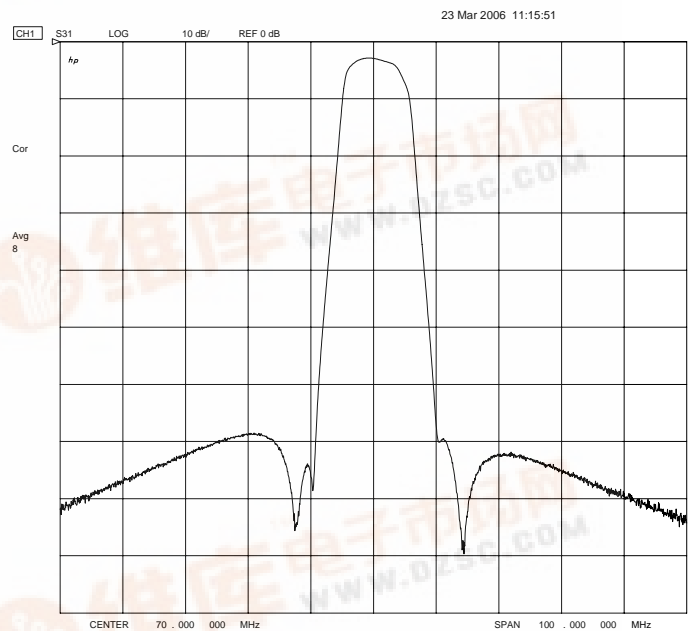
- 70 MHz Center Frequency
- 3 dB Bandwidth, 8.4 MHz min
- Elliptic Type Design
- Surface Mount Package
- 50 Ω Source and Load

Typical Performance

Passband Amplitude & Group Delay (1 dB/div and 50 nsec/div)



Overall Response (10 dB/div)



KR Electronics, Inc.
91 Avenel Street
Avenel, NJ 07001

Web www.krfilters.com
Email sales@krfilters.com
Phone (732) 636-1900
Fax (732) 636-1982

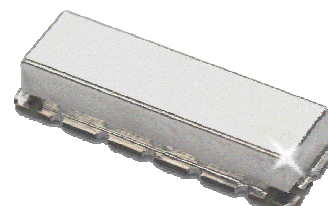
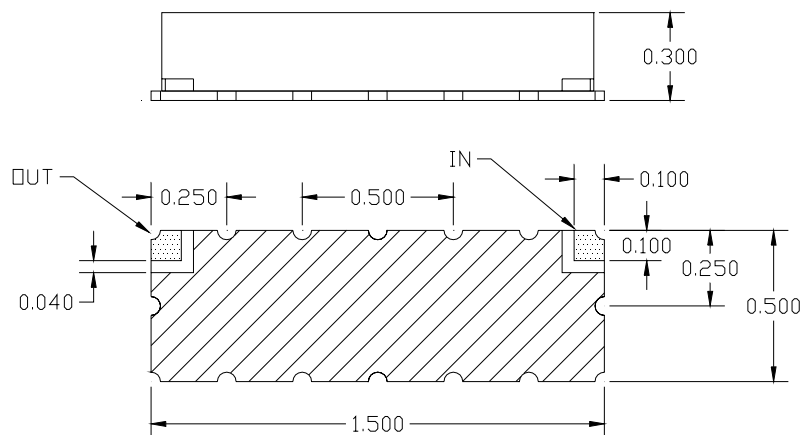


KR Electronics 2662 Bandpass

Specifications

Parameter	Specification	Typical
Filter type	Bandpass	
Center Frequency	70 MHz	
Insertion Loss	< 4 dB	3 dB
3 dB Bandwidth	8.4 MHz min	8.85 MHz
60 dB Bandwidth	20 MHz max	18.6 MHz
Source and Load	50 Ω	

Physical Dimensions



Notes:

1. Surface mount package — Metal cover (can also be supplied in a package with SMA Connectors)
2. Dimensions in inches
3. If boards are cleaned after installation, dry units completely.