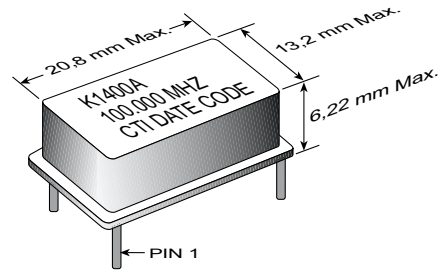


- True Sinewave Output Clock Oscillator
- Discrete Frequencies to 140MHz
- Low Harmonic Signal Source
- Standard Metal DIL Package
- ±100ppm Standard
- ±50ppm Stability Available - K1450A
- -40°C to 85°C Operating Temperature



ELECTRICAL SPECIFICATIONS

MODEL	K1400A
Frequency Range (MHz)	Discrete Frequencies to 140MHz
Frequency Stability (ppm)	
Overall	Inclusive of calibration, temperature, voltage, load, shock, vibration, aging
0°C to 70°C	±50, ±100
Temperature Range (°C)	
Operating	-40°C to +85°C
Storage	-55°C to +125°C
Supply Voltage (V)	+5.0 ±5%
Supply Current (mA)	<25
Load	50Ω
Output Signal	Sinewave
Output Level	±3dBm
Output Harmonics	<-20dBc 2nd and Above

PART NUMBERING GUIDE

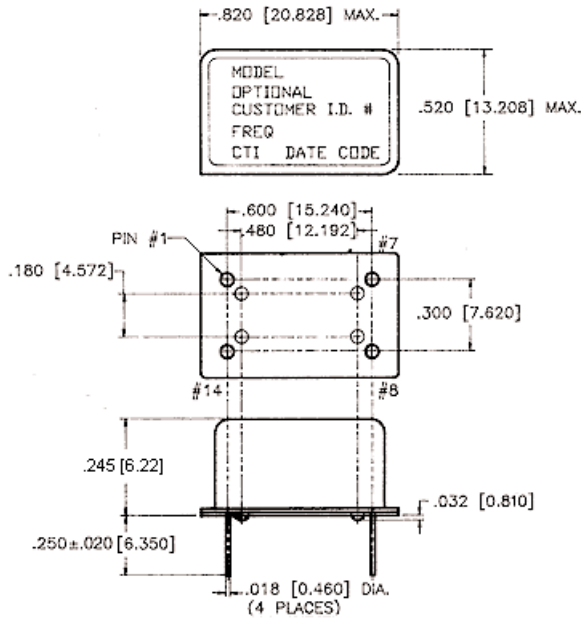
K14XXAX - Specify Frequency

“Blank” = 0°C to 70°C Operating Temperature

“M” = -40°C to 85°C Operating Temperature

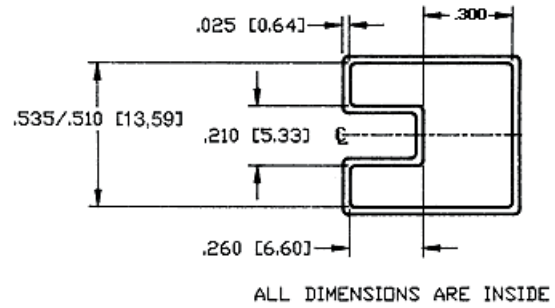
“00” = ±100 Stability

“50” = ±50ppm Stability (Available only 0°C to 70°C)



PIN	FUNCTION
1	N/C
2	Ground
3	Output
4	+V _{CC}

SHIPPING TUBE CROSS SECTION



MECHANICAL AND ENVIRONMENTAL SPECIFICATIONS

TEST METHODS	REFERENCE PROCEDURES	DESCRIPTION
Temperature Cycle	MIL-STD-833, Mtd 1010, Cond. B	-55°C to +125°C; Air-to-Air; 100 cycles; 10 min. dwell
Mechanical Shock	MIL-STD-883, Mtd 2002, Cond. B	1500 g's
Vibration	MIL-STD 883, Mtd 2007, Cond. B	20-2000 Hz; 0.06 inch; 15g's; 3 planes
Humidity Steady State	MIL-STD-202, Mtd 103	40°C; 90%-95% R.H.; 56 days
Thermal Shock	MIL-STD-883, Mtd 1011.7 Cond. B	100°C to 0°C; Water-to-Water; 15 cycles
Electrostatic Discharge	MIL-STD-883, Mtd 3015 Class II	2 KV to 4 KV Threshold
Solderability	MIL-STD-883, Mtd 2022.2	Solder dip; Meniscograph Criteria
Hermeticity	MIL-STD-883, Mtd 1014.8, Cond. A1	Mass spectro. 2 x 10 ⁻⁸ atmos. CC/sec He
Resistance to Soldering	MIL-STD-202, Mtd 210D, Cond. J	235°C; 30 seconds
Lead Integrity	MIL-STD-883, Mtd 2004.5, Cond. A, B1	Lead tension & bend stress
Marking Permanence	MIL-STD-883, Mtd 2015.8	Resistance to solvents
Life Test	MIL-STD-883, Mtd 1005.6	125°C, powered, 1000 hours minimum