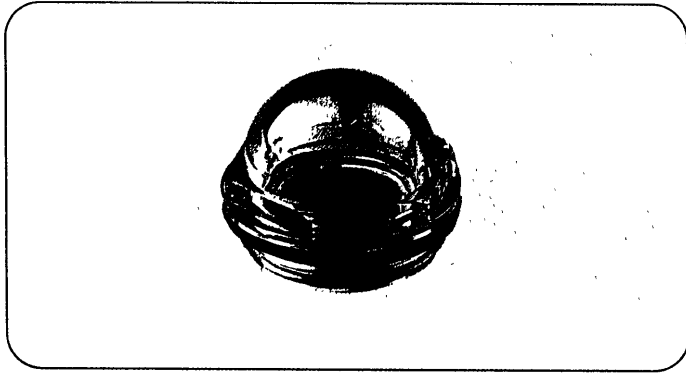


713 9470 .

查询"11101"供应商

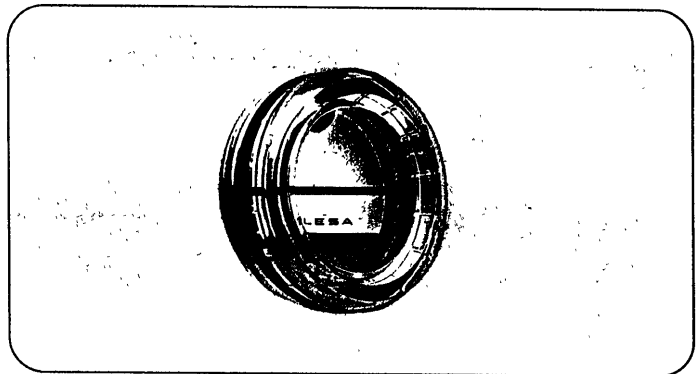


HCFE.

Oil circulation sights

- Special transparent polyamide **technopolymer**. Resistant to solvents, oils with additives, greases, acids and alkali. Avoid contact with alcohol and any detergents containing alcohol.
- NBR synthetic rubber **packing ring**.
- Maximum **working temperature** 110° C at normal pressure.

A moderate torque (from 5 to 15 Nm depending on diameter) is recommended when screwing oil circulation sight so as to guarantee optimal tightness without any elastic deformation.

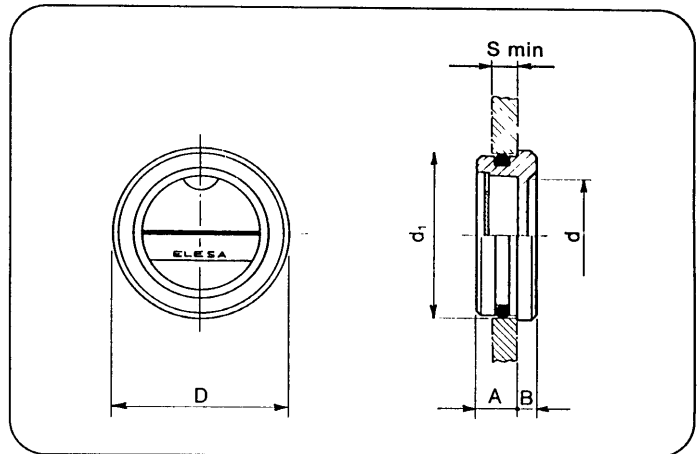
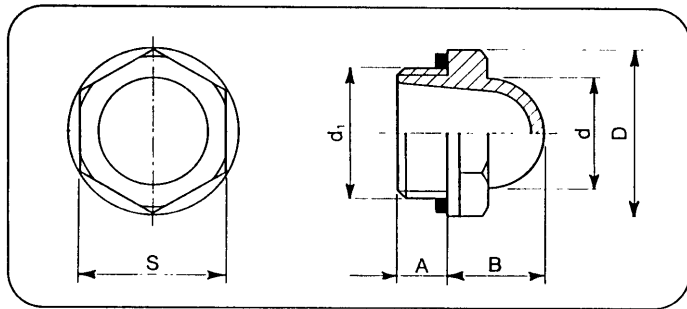


HE.

Oil indicators push fit

- Transparent high mechanical resistance **polycarbonate**. Resistant to acids, alkali, greases and oils. Not suitable for use with oils with additives and solvents.
- White lacquered aluminium **contrast screen** with red level line.
- NBR synthetic rubber **OR packing ring**.
- Maximum **working temperature** 100° C.

Suitable ribbing makes installation possible even when there is limited pressure in the tank. Chamfer hole 1x45° and grease outside surface of OR slightly to make assembly easier.



| Elesa Standard | | Main dimensions | | | | | | Weight |
|----------------|-------------|-----------------|----|----|----|----|----|--------|
| Code | Description | d _i | A | B | D | d | s | grams |
| 10851 | HCFE.12 | 3/8 Gas | 8 | 13 | 22 | 15 | 19 | 4 |
| 10901 | HCFE.15 | 1/2 Gas | 10 | 16 | 26 | 19 | 22 | 5 |
| 11001 | HCFE.20 | 3/4 Gas | 10 | 20 | 31 | 25 | 27 | 8 |
| 11101 | HCFE.24 | 1 Gas | 10 | 24 | 42 | 31 | 36 | 18 |
| 11111 | HCFE.30 | 1 1/4 Gas | 12 | 27 | 47 | 38 | 41 | 22 |

| Elesa Standard | | Main dimensions | | | | | | Weight |
|----------------|-------------|---------------------------------------|----|---|----|----|------------------|--------|
| Code | Description | d _i | A | B | D | d | S _{min} | grams |
| 11401 | HE. 17 | Ø17H11 ^{+0.110} ₀ | 7 | 3 | 18 | 9 | 5 | 2 |
| 11501 | HE. 20 | Ø20H11 ^{+0.130} ₀ | 7 | 3 | 21 | 12 | 6 | 3 |
| 11601 | HE. 26 | Ø26H11 ^{+0.130} ₀ | 7 | 3 | 28 | 17 | 6 | 5 |
| 11701 | HE. 30 | Ø30H11 ^{+0.130} ₀ | 8 | 4 | 32 | 20 | 7 | 7 |
| 11801 | HE. 35 | Ø35H11 ^{+0.160} ₀ | 9 | 4 | 38 | 25 | 8 | 10 |
| 11901 | HE. 40 | Ø40H11 ^{+0.160} ₀ | 10 | 4 | 43 | 28 | 9 | 13 |
| 12001 | HE. 45 | Ø45H11 ^{+0.160} ₀ | 11 | 5 | 47 | 32 | 9 | 18 |

7137746
7137758
7137760
7137771
—
—

7139470
7139482
7139494
7139500
7139512
—
—

Accessories for hydraulic systems