



# Frontier Electronics Corp.

667 E. COCHRAN STREET, SIMI VALLEY, CA 93065

TEL: (805) 522-9998 FAX: (805) 522-9989

E-mail: frontiersales@frontierusa.com

Web: frontierusa.com

## Radial Leads Inductors (Choke Coil)—18401 series

### A. Specifications:

Part Number	L (uH) @ 1KHz	Q Min.	Test Freq. (MHz)	SRF Min. (MHz)	DCR (Ω) Max.	Rated Current (A) Max.	Type
184011R0M	1.0	20	7.9	70	0.007	6.60	I
184011R5M	1.5	20	7.9	60	0.010	5.40	I
184012R2M	2.2	20	7.9	45	0.015	4.50	I
184013R3M	3.3	20	7.9	35	0.020	3.60	I
184014R7M	4.7	20	7.9	30	0.025	3.10	I
184016R8M	6.8	20	7.9	25	0.030	2.50	I
18401100K	10	20	2.5	20	0.045	2.10	II
18401120K	12	20	2.5	17	0.050	1.90	II
18401150K	15	20	2.5	15	0.065	1.70	II
18401180K	18	20	2.5	13	0.080	1.50	II
18401220K	22	20	2.5	12	0.10	1.40	II
18401270K	27	20	2.5	10	0.12	1.20	II
18401330K	33	20	2.5	9.2	0.14	1.10	II
18401390K	39	20	2.5	8.5	0.17	1.00	II
18401470K	47	20	2.5	7.5	0.21	0.95	II
18401560K	56	20	2.5	7.0	0.24	0.80	II
18401680K	68	20	2.5	6.5	0.28	0.75	II
18401820K	82	20	2.5	5.5	0.31	0.70	II
18401101K	100	20	0.79	5.0	0.35	0.65	II
18401121K	120	20	0.79	4.5	0.45	0.60	II
18401151K	150	20	0.79	4.0	0.56	0.53	II
18401181K	180	20	0.79	3.5	0.65	0.48	II
18401221K	220	20	0.79	3.2	0.72	0.44	II
18401271K	270	20	0.79	2.8	0.86	0.40	II
18401331K	330	20	0.79	2.5	1.10	0.36	II
18401391K	390	20	0.79	2.2	1.50	0.33	II
18401471K	470	20	0.79	2.0	1.70	0.30	II
18401561K	560	20	0.79	1.8	2.0	0.27	II
18401681K	680	20	0.79	1.7	2.5	0.25	II
18401821K	820	20	0.79	1.5	3.0	0.22	II
18401102K	1000	50	0.25	1.3	4.5	0.20	II

★ Custom specifications are available.

Note: **RoHS** compliant; for the **ROHS** parts, we add "**-LFR**" at the end of the P/N.



# Frontier Electronics Corp.

667 E. COCHRAN STREET, SIMI VALLEY, CA 93065

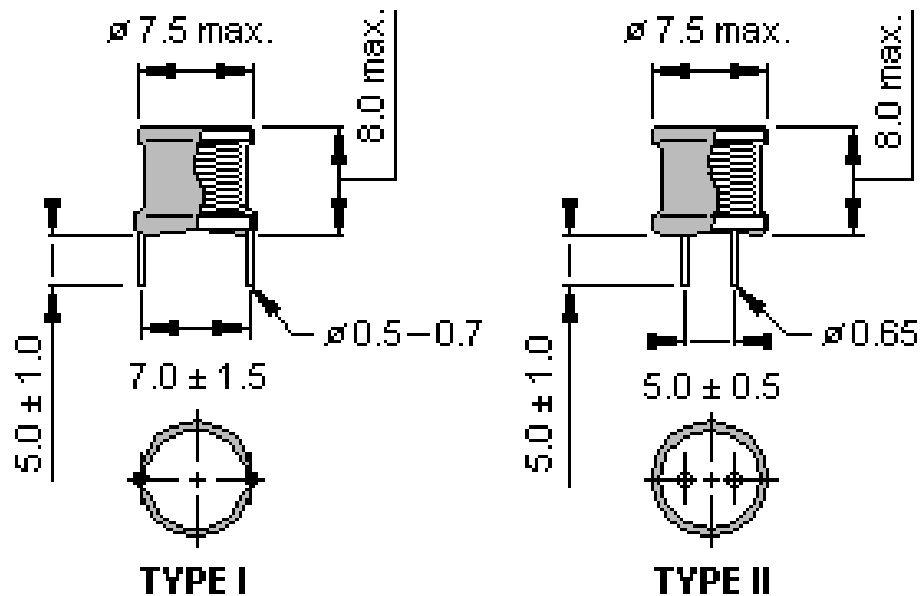
TEL: (805) 522-9998 FAX: (805) 522-9989

E-mail: frontiersales@frontierusa.com

Web: frontierusa.com

## Radial Leads Inductors (Choke Coil)—18401 series

### B. Mechanical Dimensions:



### C. General Information:

1. Inductance Tolerance: M:  $\pm 20\%$ , K:  $\pm 10\%$ .
2. Inductance (Current) ranges: 1.0uH (6.6A) - 1000uH, (200mA)
3. DCR: from 0.007 - 4.5 Ohms.
4. Operating temperature:  $-20^{\circ}\text{C}$  to  $+85^{\circ}\text{C}$ .
5. Temperature rise:  $25^{\circ}\text{C}$  Max.
6. Ambient temperature:  $60^{\circ}\text{C}$  Max.
7. Test condition: 1 KHz.
8. Test equipment:
  - L: HP4276A LCZ Meter.
  - Q: HP4342A at specified frequency.
  - DCR: Milli-Ohm meter.
  - SRF: HP4191A.

★ *Custom specifications are available.*

*Note: **RoHS** compliant; for the **ROHS** parts, we add "**-LFR**" at the end of the P/N.*