

August 1998

100323 Low Power Hex Bus Driver

General Description

The 100323 is a monolithic device containing six bus drivers capable of driving terminated lines with terminations as low as 25Ω. To reduce crosstalk, each output has its own respective ground connection. Transition times were designed to be longer than on other F100K devices. The driver itself performs the positive logic AND of a data input (D₁–D₆) and the OR of two select inputs (E and either DE₁, DE₂, or DE₃).

Enabling of data is possible in multiples of two, i.e., 2, 4 or all 6 paths. All inputs have 50 kΩ pull-down resistors.

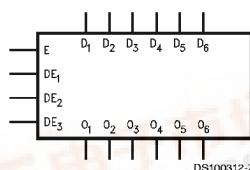
The output voltage LOW level is designed to be more negative than normal ECL outputs (cut off state). This allows an

emitter-follower output transistor to turn off when the termination supply is –2.0V and thus present a high impedance to the data bus.

Features

- 50% power reduction of the 100123
- 2000V ESD protection
- –4.2V to –5.7V operating range
- Drives 25Ω load

Logic Symbol

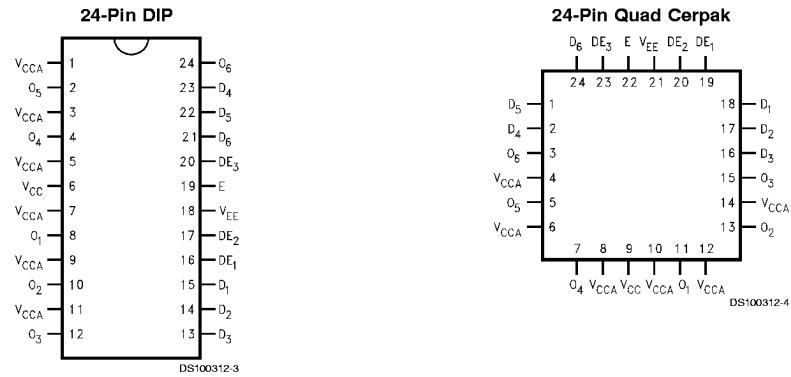


Pin Names	Description
D ₁ –D ₆	Data Inputs
DE ₁ –DE ₃	Dual Enable Inputs
E	Common Enable Input
O ₁ –O ₆	Data Outputs

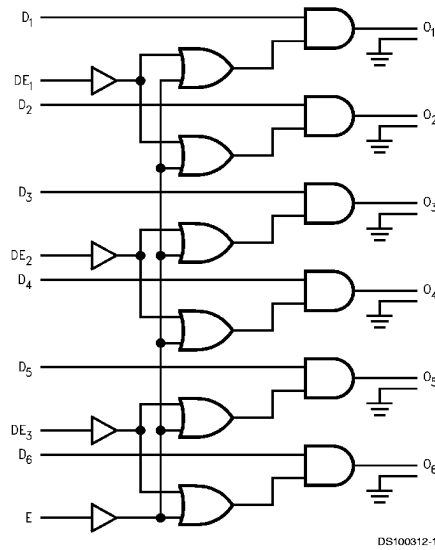
100323 Low Power Hex Bus Driver



Connection Diagrams



Logic Diagram



Truth Table

E	DE _n	D _n	D _{n+1}	O _n	O _{n+1}
L	L	X	X	Cutoff	Cutoff
X	H	L	L	Cutoff	Cutoff
X	H	L	H	Cutoff	H
X	H	H	L	H	Cutoff
X	H	H	H	H	H
H	X	L	L	Cutoff	Cutoff
H	X	L	H	Cutoff	H
H	X	H	L	H	Cutoff
H	X	H	H	H	H

H = High
 Cutoff = Lower-than-LOW state
 L = Low
 X = Don't Care

Absolute Maximum Ratings (Note 1)

If Military/Aerospace specified devices are required, please contact the National Semiconductor Sales Office/ Distributors for availability and specifications.

Storage Temperature	-65°C to +150°C
Maximum Junction Temperature	
Ceramic	+175°C
V _{EE} Pin Potential to Ground Pin	-7.0V to +0.5V
Input Voltage (DC)	V _{EE} to +0.5V
Output Current (DC Output High)	-50 mA
ESD	≥2000V

Recommended Operating Conditions

Case Temperature	
Military	-55°C to +125°C
Supply Voltage (V _{EE})	-5.7V to -4.2V

Note 1: Absolute maximum ratings are values beyond which the device may be damaged or have its useful life impaired. Functional operation under these conditions is not implied.

Note 2: ESD testing conforms to MIL-STD-883, Method 3015.

Military Version

DC Electrical Characteristics

V_{EE} = -4.2V to -5.7V, V_{CC} = V_{CCA} = GND, T_C = -55°C to +125°C

Symbol	Parameter	Min	Max	Units	T _C	Conditions	Notes	
V _{OH}	Output HIGH Voltage	-1025	-870	mV	0°C to +125°C	V _{IN} = V _{IH (max)} or V _{IL (min)}	Loading with 25Ω to -2.0V	(Notes 3, 4, 5)
		-1085	-870	mV	-55°C			
V _{OHC}	Output HIGH Voltage	-1035		mV	0°C to +125°C	V _{IN} = V _{IH (min)} or V _{IL (max)}	Loading with 25Ω to -2.0V	(Notes 3, 4, 5)
		-1085		mV	-55°C			
V _{OLC}	Output LOW Voltage		-1610	mV	0°C to +125°C			
			-1555	MV	-55°C			
V _{OLZ}	Cut-Off LOW Voltage		-1950	mV	0°C to +125°C	V _{IN} = V _{IH (min)} or V _{IL (max)}	Loading with 25Ω to -2.0V	(Notes 3, 4, 5)
			-1850		-55°C			
V _{IH}	Input HIGH Voltage	-1165	-870	mV	-55°C to +125°C	Guaranteed HIGH Signal for All Inputs	(Notes 3, 4, 5, 6)	
V _{IL}	Input LOW Voltage	-1830	-1475	mV	-55°C to +125°C	Guaranteed LOW Signal for All Inputs	(Notes 3, 4, 5, 6)	
I _{IL}	Input LOW Current	0.50		μA	-55°C to +125°C	V _{EE} = 4.2V, V _{IN} = V _{IL (min)}	(Notes 3, 4, 5)	
I _{IH}	Input HIGH Current		240	μA	0°C to +125°C	V _{EE} = -5.7V, V _{IN} = V _{IH (max)}	(Notes 3, 4, 5)	
			340	μA	-55°C			
I _{EE}	Power Supply Current	-155	-53	mA	-55°C to +125°C	Inputs Open V _{EE} = -4.2V to -5.7V	(Notes 3, 4, 5)	

Note 3: F100K 300 Series cold temperature testing is performed by temperature soaking (to guarantee junction temperature equals -55°C), then testing immediately without allowing for the junction temperature to stabilize due to heat dissipation after power-up. This provides "cold start" specs which can be considered a worst case condition at cold temperatures.

Note 4: Screen tested 100% on each device at -55°C, +25°C, and +125°C, Subgroups 1, 2, 3, 7, and 8.

Note 5: Sample tested (Method 5005, Table I) on each manufactured lot at -55°C, +25°C, and +125°C, Subgroups A1, 2, 3, 7, and 8.

Note 6: Guaranteed by applying specified input condition and testing V_{OH}/V_{OL}.

AC Electrical Characteristics

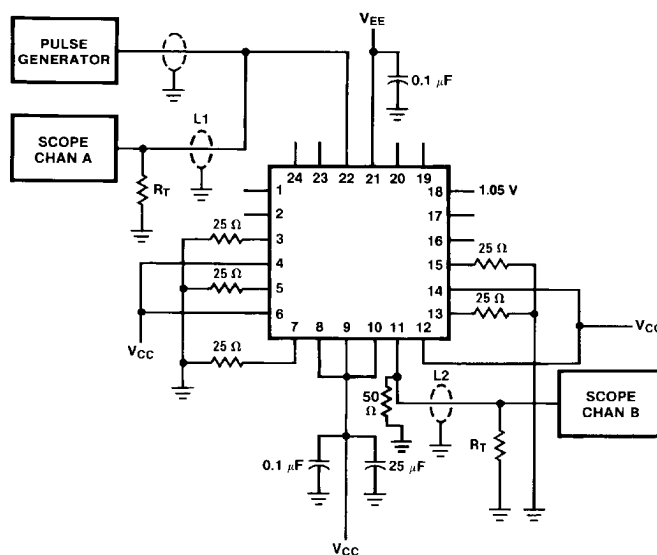
$V_{EE} = -4.2V$ to $-5.7V$, $V_{CC} = V_{CCA} = GND$

Symbol	Parameter	$T_C = -55^\circ C$		$T_C = +25^\circ C$		$T_C = +125^\circ C$		Units	Conditions
		Min	Max	Min	Max	Min	Max		
t_{PZH}	Propagation Delay	0.70	3.70	1.10	3.60	1.20	3.60	ns	Figures 1, 2
t_{PHZ}	Data to Output	0.50	3.60	1.10	3.10	1.20	3.50	ns	
t_{PZH}	Propagation Delay	0.60	3.60	1.10	3.60	1.30	3.80	ns	
t_{PHZ}	Data Enable to Output	1.00	4.20	1.50	3.60	1.60	4.00	ns	
t_{PZH}	Propagation Delay	0.70	3.60	1.00	3.50	1.20	3.60	ns	
t_{PHZ}	Common Enable to Output	0.90	4.00	1.40	3.40	1.40	3.80	ns	
t_{TZH}	Transition Time	0.20	2.00	0.20	2.00	0.20	2.00	ns	
t_{THZ}	20% to 80%, 80% to 20%	0.20	1.80	0.20	1.60	0.20	1.60	ns	

Note 7: The specified limits represent the "worst case" value for the parameter. Since these "worst case" values normally occur at the temperature extremes, additional noise immunity and guard banding can be achieved by decreasing the allowable system operating ranges.

Note 8: Conditions for testing shown in the tables are chosen to guarantee operation under "worst case" conditions.

Test Circuitry



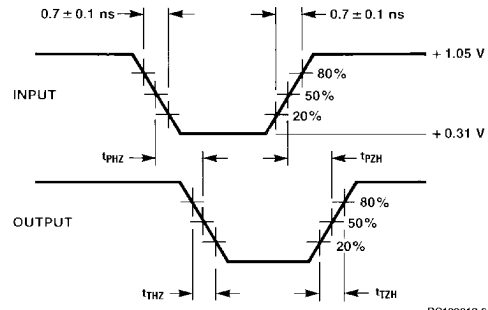
DS100312-5

Notes:

- V_{CC} , $V_{CCA} = +2V$, $V_{EE} = -2.5V$
- L1 and L2 = equal length 50Ω impedance lines
- $R_T = 50\Omega$ terminator internal to scope
- Decoupling 0.1 μF from GND to V_{CC} and V_{EE}
- All unused outputs are loaded with 25Ω to GND
- C_L = Fixture and stray capacitance ≤ 3 pF
- Pin numbers shown are for flatpak; for DIP see logic symbol

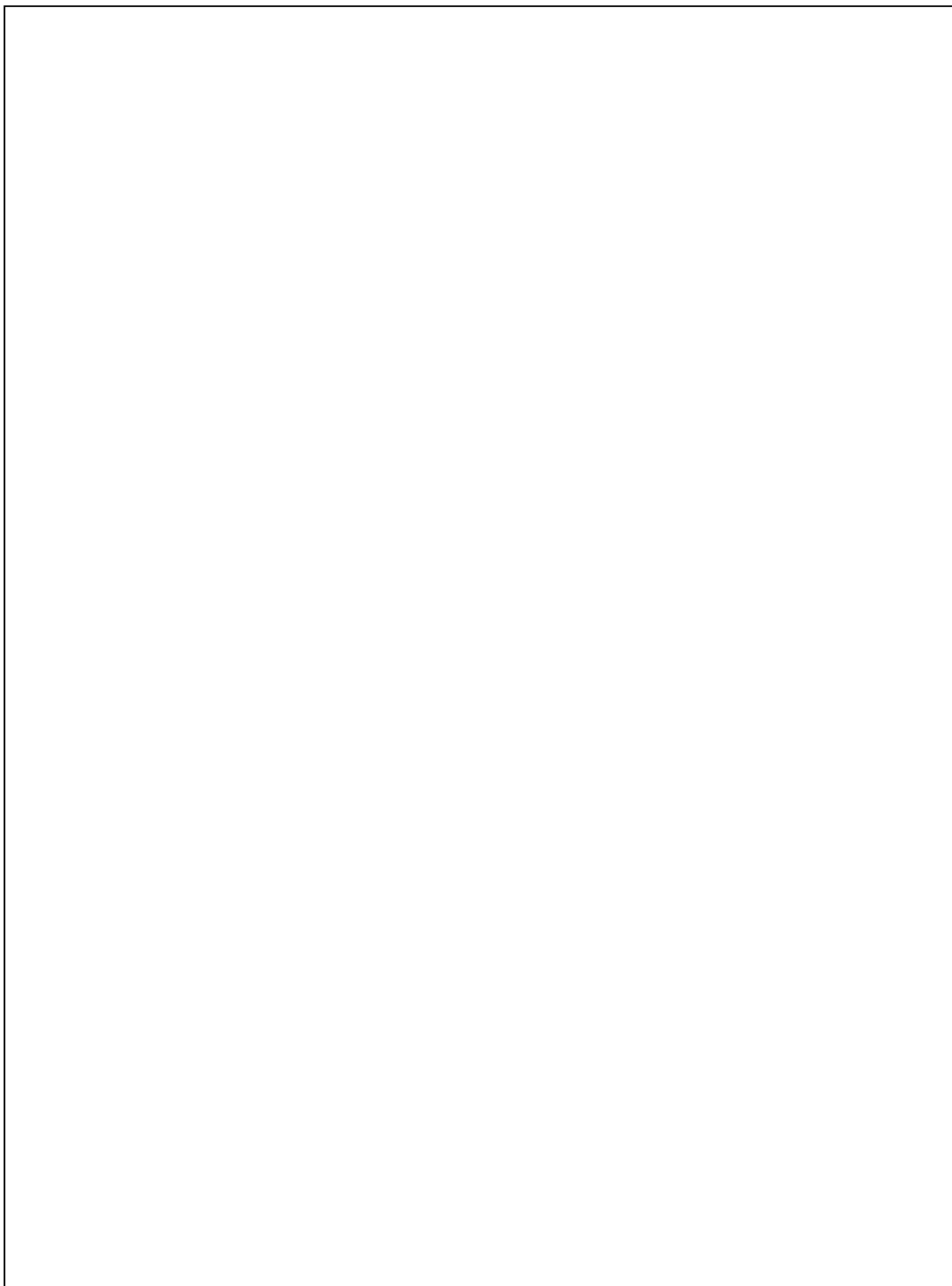
FIGURE 1. AC Test Circuit

Timing Waveform

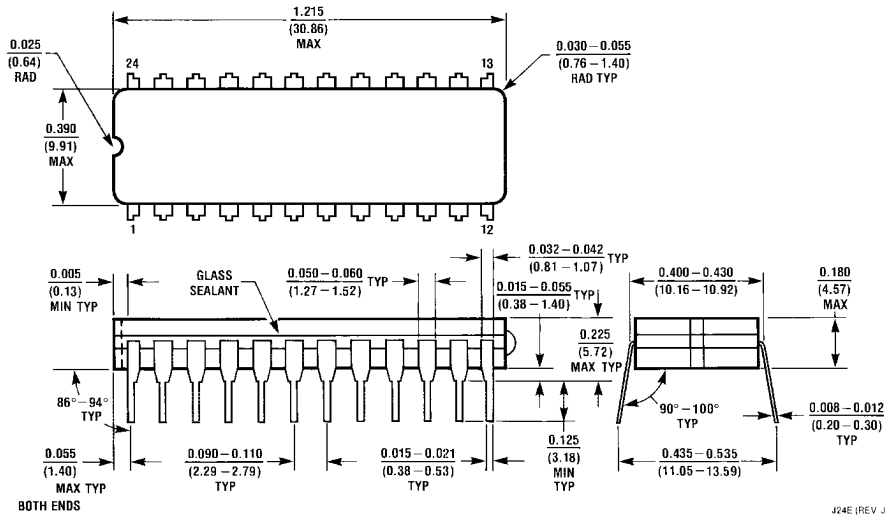


DS100312-6
FIGURE 2. Propagation Delay and Transition Times

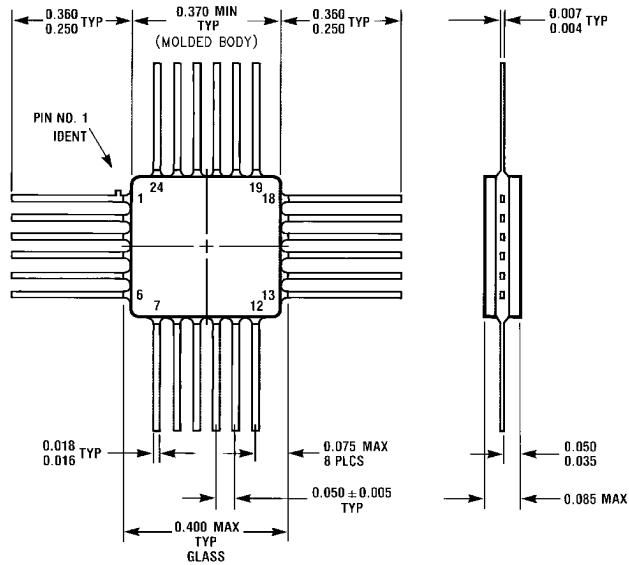
[查询"100323DM"供应商](#)



Physical Dimensions inches (millimeters) unless otherwise noted



24 Lead Ceramic Dual-In-Line Package (D)
NS Package Number J24E



24 Lead Quad Cerpak (F)
NS Package Number W24B