

64M[x16] SINGLE 3V PAGE MODE MTP MEMORY

FEATURES

- 3.0V to 3.6V operation voltage
- Block Structure
 - 64 x 64Kword Erase Blocks
- Fast random / page mode access time
 - 100/25 ns Read Access Time (page depth:8-word)
- 128-bit Protection Register
 - 64-bit Unique Device Identifier
 - 64-bit User Programmable OTP Cells
- 16-Word Write Buffer
 - 14 us/word Effective Programming Time
- Enhanced Data Protection Features Absolute Protection with VPEN = GND
 - Flexible Block Locking
 - Block Erase/Program Lockout during Power Transitions

Performance

- Low power dissipation
 - typical 15mA active current for page mode read
 - 80uA/(max.) standby current
- High Performance
 - Block erase time: 2s typ.
 - Word programming time: 210us typ.
 - Block programming time: 0.8s typ. (using Write to Buffer Command)
- Program/Erase Endurance cycles: 100 cycles

GENERAL DESCRIPTION

The MXIC's MX26L6419 series MTP use the most advance 2 bits/cell Nbit technology, double the storage capacity of memory cell. The device provide the high density MTP memory solution with reliable performance and most cost-effective.

The device organized as by 16 bits of output bus. The device is packaged in 48-Lead TSOP. It is designed to be reprogrammed and erased in system or in standard EPROM programmers.

The device offers fast access time and allowing operation of high-speed microprocessors without wait states. The device augment EPROM functionality with in-circuit

Software Feature

- Support Common Flash Interface (CFI)
 - MTP device parameters stored on the device and provide the host system to access.

Hardware Feature

- ACC pin
 - 12V VPP for fast program/erase mode.
- VPEN pin
 - For Erase /Program/ Block Lock enable.
- VCCQ Pin
 - The output buffer power supply, control the device 's output voltage.
- RESET pin
 - Hardware reset

Packaging

- 48-Lead TSOP

Technology

- Two bits per cell Nbit (0.25u) MTP Technology

electrical erasure and programming. The device uses a command register to manage this functionality.

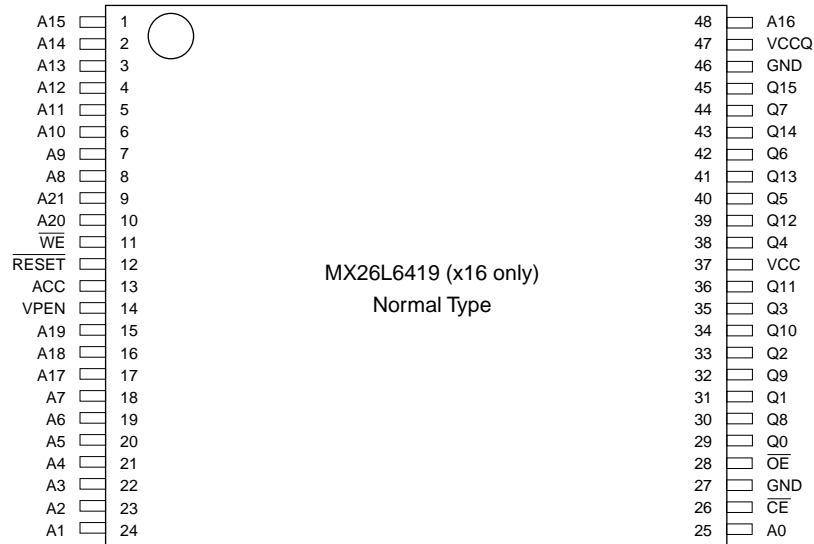
The MXIC's Nbit technology reliably stores memory contents even after the specific erase and program cycles. The MXIC cell is designed to optimize the erase and program mechanisms by utilizing the dielectric's character to trap or release charges from ONO layer.

The device uses a 3.0V to 3.6V VCC supply to perform the High Reliability Erase and auto Program/Erase algorithms.

The highest degree of latch-up protection is achieved with MXIC's proprietary non-epi process. Latch-up protection is proved for stresses up to 100 milliamps on address and data pin from -1V to VCC + 1V.

PIN CONFIGURATION

48-TSOP (12mm x 20mm)



PIN DESCRIPTION

SYMBOL	PIN NAME
A0~A21	Address Input
Q0~Q15	Data Inputs/Outputs
CE	Chip Enable Input
WE	Write Enable Input
OE	Output Enable Input
RESET	Reset Power Down mode
VPEN	ERASE/PROGRAM/BLOCK Lock Enable
ACC	Program/erase acceleration pin
VCCQ	Output Buffer Power Supply
VCC	Device Power Supply
GND	Device Ground

Note: ACC pin and VPEN pin are not allowed to be operation at the same time.

BLOCK DIAGRAM

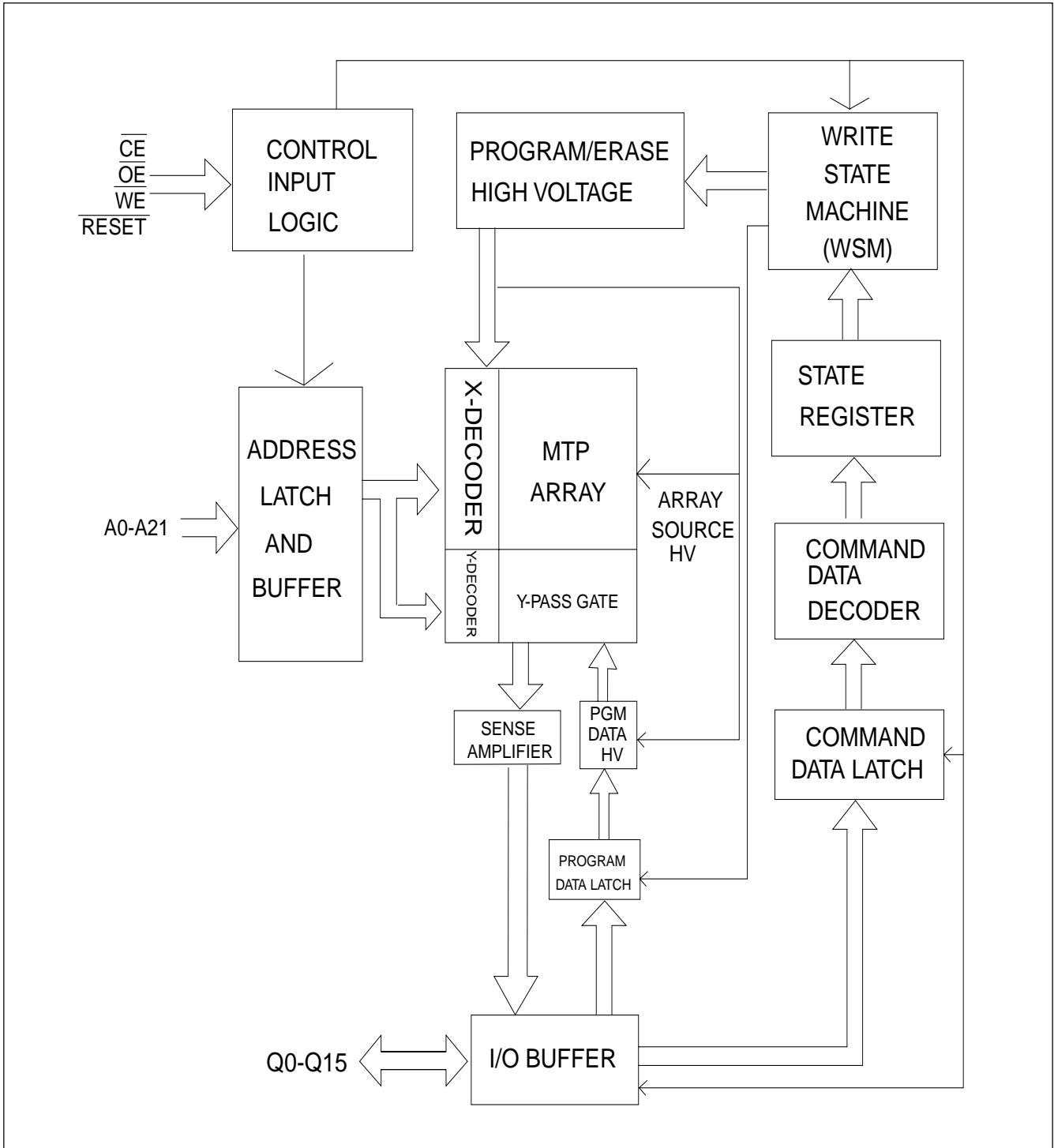


Figure 1. Block Architecture

MTP memory reads erases and writes in-system via the local CPU. All bus cycles to or from the MTP memory conform to standard microprocessor bus cycles.

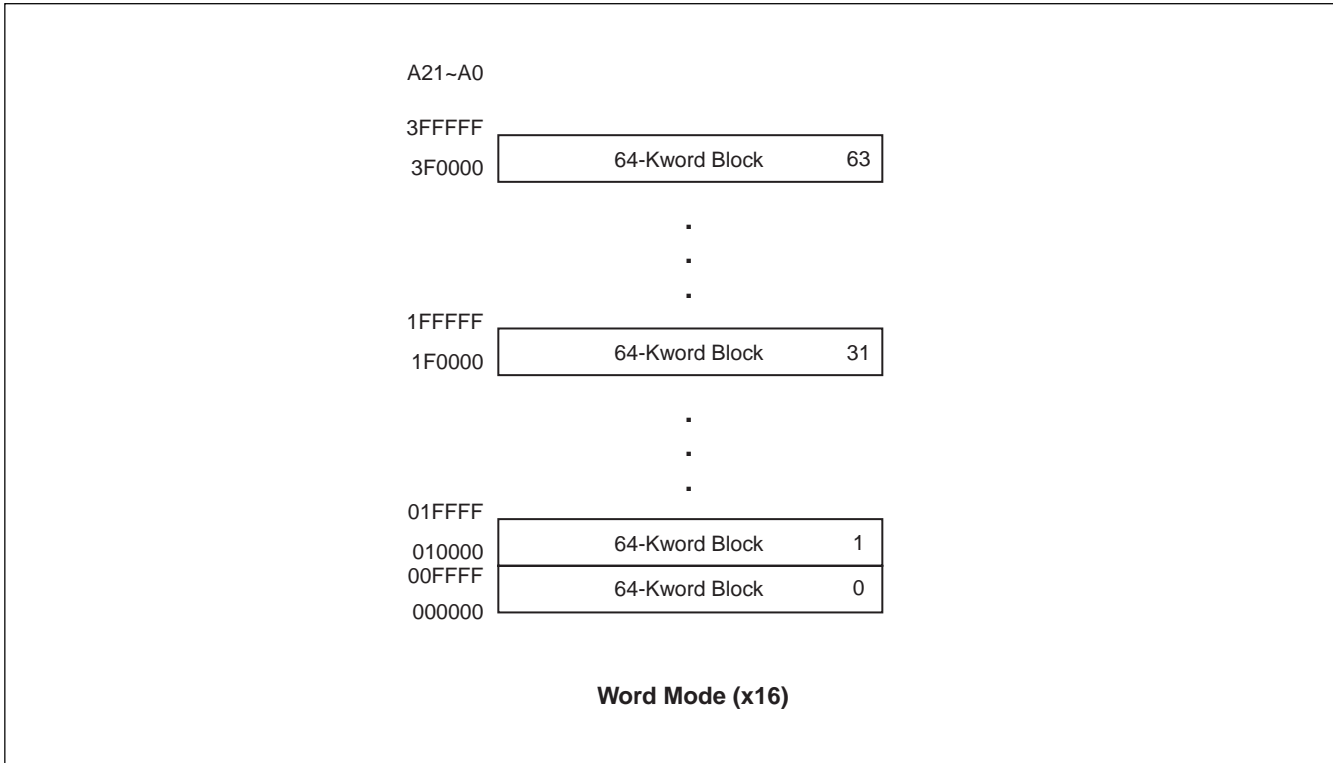


Table 1. Bus Operations

Command Sequence	Read Array	Output Disable	Standby	RESET Mode/ Power Down Mode	Read ID	Read Query	Read Status (WSM off)	Read Status (WSM on)	Write
Notes	3,4								8,9
$\overline{\text{RESET}}$	VIH	VIH	VIH	VIL	VIH	VIH	VIH	VIH	VIH
$\overline{\text{CE}}$	Enabled	Enabled	Disabled	X	Enabled	Enabled	Enabled	Enabled	Enabled
$\overline{\text{OE}}$ (1)	VIL	VIH	X	X	VIL	VIL	VIL	VIL	VIH
$\overline{\text{WE}}$ (1)	VIH	VIH	X	X	VIH	VIH	VIH	VIH	VIL
Address	X	X	X	X	See Figure 2	See Table 5	X	X	X
VPEN	X	X	X	X	X	X	X	X	VPENH
Q (2)	Data out	High Z	High Z	High Z	Note 6	Note 7	Data out	Q7=Data out Q15-8=High Z Q6-0=High Z	Data in

NOTES:

- $\overline{\text{OE}}$ and $\overline{\text{WE}}$ should never be enabled simultaneously.
- Q refers to Q0~Q15.
- Refer to DC Characteristics. When $\text{VPEN} \leq \text{VPENLK}$, memory contents can be read, but not altered.
- X can be VIL or VIH for control and address pins, and VPENLK or VPENH for VPEN. See DC Characteristics for VPENLK and VPENH voltages.
- High Z will be VOH with an external pull-up resistor.
- See Section, "Read Identifier Codes" for read identifier code data.
- See Section, "Read Query Mode Command" for read query data.
- Command writes involving block erase, program, or lock-bit configuration are reliably executed when $\text{VPEN} = \text{VPENH}$ and VCC is within specification.
- Refer to Table 2 on page 7 for valid DIN during a write operation.

FUNCTION

The device includes on-chip program/erase control circuitry. The Write State Machine (WSM) controls block erase and word/page program operations. Operational modes are selected by the commands written to the Command User Interface (CUI). The Status Register indicates the status of the WSM and when the WSM successfully completes the desired program or block erase operation.

A Powerdown mode is enabled when the $\overline{\text{RESET}}$ pin is at GND minimizing power consumption.

READ

The device has three read modes, which accesses to the memory array, the Device Identifier or the Status Register independent of the VPEN voltage. The appropriate read command are required to be written to the CUI. Upon initial device powerup or after exit from powerdown, the device automatically resets to read array mode. In the read array mode, low level input to $\overline{\text{CE}}$ and $\overline{\text{OE}}$, high level input to $\overline{\text{WE}}$ and $\overline{\text{RESET}}$ or low level input to $\overline{\text{RESET}}$, and address signals to the address inputs (A21-A0) output the data of the addressed location to the data input/output (Q15~Q0).

When reading information in read array mode, the device defaults to asynchronous page mode. In this state, data is internally read and stored in a high-speed page buffer. A2:0 addresses data in the page buffer. The page size is 8 words. Asynchronous word mode is supported with no additional commands required.

WRITE

Writes to the CUI enables reading of memory array data, device identifiers and reading and clearing of the Status Register and when VPEN=VPENH block erasure program and lock-bit configuration. The CUI is written when the device is enable, $\overline{\text{WE}}$ is active and $\overline{\text{OE}}$ is at high level. Address and data are latched on the earlier rising edge of $\overline{\text{WE}}$ and $\overline{\text{CE}}$. Standard micro-processor write timings are used.

OUTPUT DISABLE

When $\overline{\text{OE}}$ is at VIH, output from the devices is disabled. Data input/output are in a high-impedance(High-Z) state.

STANDBY

When $\overline{\text{CE}}$ disable the device (see table1) and place it in standby mode. The power consumption of this device is reduced. Data input/output are in a high-impedance(High-Z) state. If the memory is deselected during block erase, program or lock-bit configuration, the internal control circuits remain active and the device consume normal active power until the operation completes.

POWER-DOWN

When $\overline{\text{RESET}}$ pin is at VIL, the device is in the power-down mode and its power consumption is substantially low around 25uA. During read modes, the memory is deselected and the data input/output are in a high-impedance(High-Z) state. To return from power down mode requires $\overline{\text{RESET}}$ pin at VIH. After return from powerdown, the CUI is reset to Read Array , and the Status Register is set to value 80H.

During block erase program or lock-bit configuration modes, $\overline{\text{RESET}}$ pin at VIL will abort either operation. Memory array data of the block being altered become invalid.

Time tPHWL is required after $\overline{\text{RESET}}$ goes to logic-high (VIH) before another command can be written.

READ QUERY

The read query operation outputs block status information, CFI (Common Flash Interface) ID string, system interface information, device geometry information and MXIC extended query information.

COMMAND DEFINITIONS

Device operations are selected by writing specific address and data sequences into the CUI. Table 3 defines the valid register command sequences.

When $VPEN \leq VPENLK$ only read operations from the status register, query, identifier code or blocks are enabled. When $VPEN = VPENH$ enables block erase program and lock-bit configuration operations.

Table 2. Command Definitions

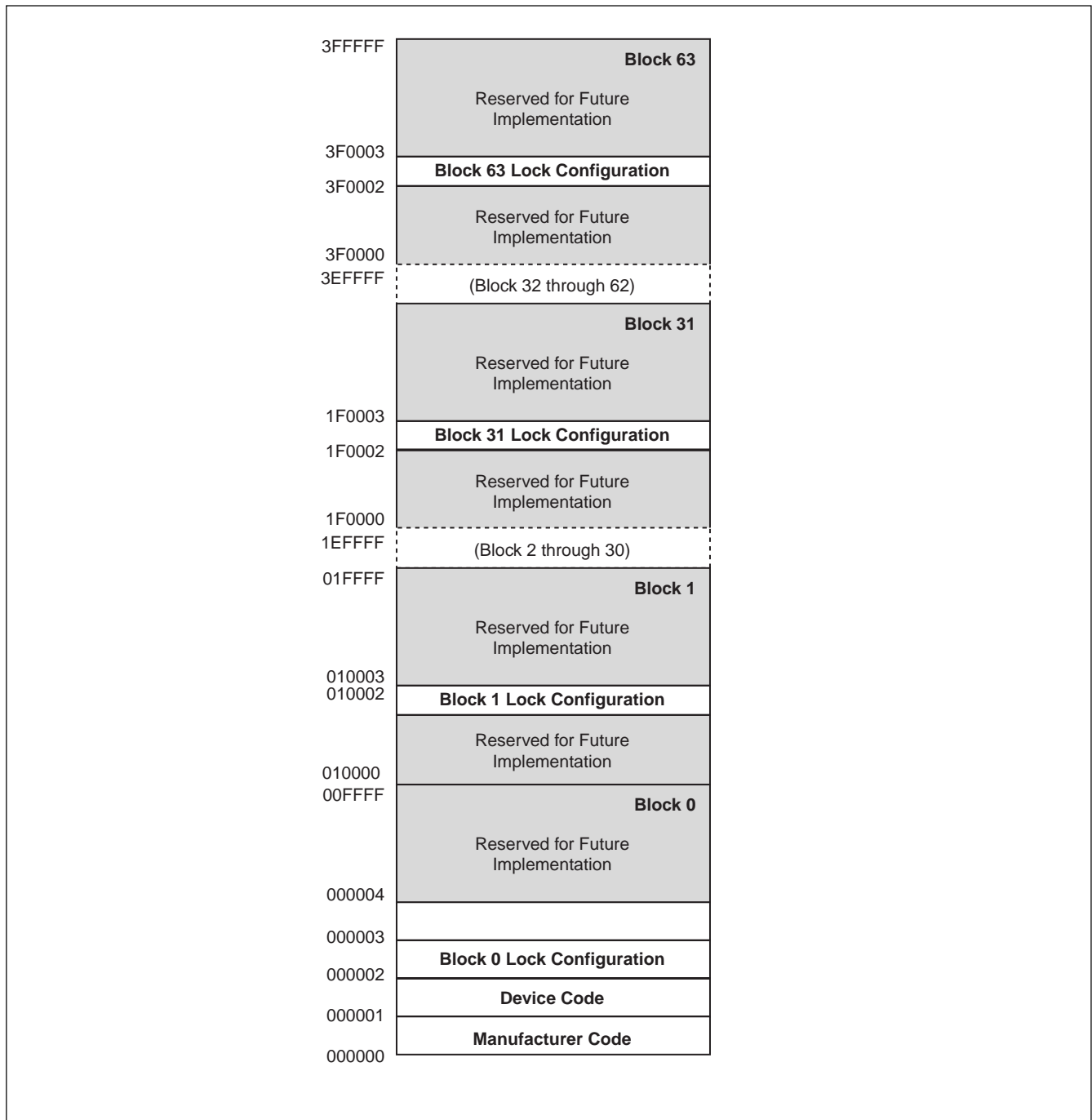
Command Sequence		Read Array	Read ID	Read Query	Read Status Register	Clear Status Register	Write to Buffer	Word Program	Sector Erase
Notes			5		6		7,8,9	10,11	9,10
Bus Write Cycles Req'd		1	≥ 2	≥ 2	2	1	> 2	2	2
First Bus Write Cycles	Operation(2)	Write	Write	Write	Write	Write	Write	Write	Write
	Address(3)	X	X	X	X	X	BA	X	BA
	Data(4,5)	FFH	90H	98H	70H	50H	E8H	40H/10H	20H
Second Bus Read Query	Operation(2)		Read	Read	Read		Write	Write	Write
	Address(3)		IA	QA	X		BA	PA	BA
	Data(4,5)		ID	QD	SRD		N	PD	D0H

Command Sequence		Configur-ation	Set Sector Lock-Bit	Clear Sector	Protection Program Lock-Bit
Notes				12	
Bus Write Cycles Req'd		2	2	2	2
First Bus Write Cycle	Operation(2)	Write	Write	Write	Write
	Address(3)	X	X	X	X
	Data(4,5)	B8H	60H	60H	C0H
Second Bus Write Cycle	Operation(2)	Write	Write	Write	Write
	Address(3)	X	BA	X	PA
	Data(4,5)	CC	01H	D0H	PD

NOTES:

1. Bus operations are defined in Table 1.
2. X = Any valid address within the device.
BA = Address within the block.
IA = Identifier Code Address: see Figure 2 and Table 13.
QA = Query database Address.
PA = Address of memory location to be programmed.
RCD = Data to be written to the read configuration register. This data is presented to the device on A15~A0 ; all other address inputs are ignored.
3. ID = Data read from Identifier Codes.
QD = Data read from Query database.
SRD = Data read from status register. See Table 14 for a description of the status register bits.
PD = Data to be programmed at location PA. Data is latched on the rising edge of \overline{WE} .
CC = Configuration Code.
4. The upper byte of the data bus (Q8-Q15) during command writes is a "Don't Care" in x16 operation.
5. Following the Read Identifier Codes command, read operations access manufacturer, device and block lock codes. See Section 4.3 for read identifier code data.
6. If the WSM is running, only Q7 is valid; Q15-Q8 and Q6-Q0 float, which places them in a high impedance state.
7. After the Write to Buffer command is issued check the XSR to make sure a buffer is available for writing.
8. The number of words to be written to the Write Buffer = N + 1, where N = word count argument.
Count ranges on this device for word mode are N = 0000H to N = 000FH. The third and consecutive bus cycles, as determined by N, are for writing data into the Write Buffer.
The Confirm command (D0H) is expected after exactly N + 1 write cycles; any other command at that point in the sequence aborts the write to buffer operation. Please see Figure 4. "Write to Buffer Flowchart" for additional information.
9. The write to buffer or erase operation does not begin until a Confirm command (D0h) is issued.
10. Attempts to issue a block erase or program to a locked block.
11. Either 40H or 10H are recognized by the WSM as the word program setup.
12. The clear block lock-bits operation simultaneously clears all block lock-bits.

Figure 2. Device Identifier Code Memory Map



NOTE: Data is always given on the low byte in x16 mode (upper byte contains 00h).

Read Array Command

The device is in Read Array mode on initial device power up and after exit from power down, or by writing FFH to the Command User Interface. The read configuration register defaults to asynchronous read page mode. The device remains enabled for reads until another command is written. The Read Array command functions independently of the VPEN voltage.

Read Query Mode Command

This section defines the data structure or "Database" returned by the Common Flash Interface (CFI) Query command. System software should parse this structure to gain critical information such as block size, density, x8/x16, and electrical specifications. Once this information has been obtained, the software will know which command sets to use to enable MTP writes, block erases, and otherwise control the MTP component.

Query Structure Output

The Query Database allows system software to gain information for controlling the MTP component. This section describes the device CFI-compliant interface that allows the host system to access Query data.

Query data are always presented on the lowest-order data outputs (DQ 0-7) only. The numerical offset value is the address relative to the maximum bus width supported by the device. On this family of devices, the Query table device starting address is a 10h, which is a word address for x16 devices.

For a word-wide (x16) device, the first two bytes of the Query structure, "Q" and "R" in ASCII, appear on the low byte at word addresses 10h and 11h. This CFI-compliant device outputs 00H data on upper bytes. Thus, the device outputs ASCII "Q" in the low byte (DQ 0-7) and 00h in the high byte (DQ 8-15).

At Query addresses containing two or more bytes of information, the least significant data byte is presented at the lower address, and the most significant data byte is presented at the higher address.

In all of the following tables, addresses and data are represented in hexadecimal notation, so the "h" suffix has been dropped. In addition, since the upper byte of word-wide devices is always "00h," the leading "00" has been dropped from the table notation and only the lower byte value is shown. Any x16 device outputs can be assumed to have 00h on the upper byte in this mode.

Table 3. Summary of Query Structure Output as a Function of Device and Mode

Device Type/Mode	Query start location in maximum device bus width addresses	Query data with maximum device bus width addressing			Query data with byte addressing		
		Hex Offset	Hex Code	ASCII Value	Hex Offset	Hex Code	ASCII Value
x16 device x16 mode	10h	10: 11: 12:	0051 0052 0059	"Q" "R" "Y"	20: 21: 22:	51 00 52	"Q" "Null" "R"
x16 device x8 mode	N/A (1)	N/A (1)			20: 21: 22:	51 51 52	"Q" "Q" "R"

NOTE:

1. The system must drive the lowest order addresses to access all the device's array data when the device is configured in x8 mode. Therefore, word addressing, where these lower addresses are not toggled by the system, is "Not Applicable" for x8-configured devices.

Table 4. Example of Query Structure Output of a x16- and x8-Capable Device

Word Addressing			Byte Addressing		
Offset	Hex Code	Value	Offset	Hex Code	Value
A15-A0	D15 - D0		A7-A0	D7 - D0	
0010h	0051	"Q"	20h	51	"Q"
0011h	0052	"R"	21h	51	"Q"
0012h	0059	"Y"	22h	52	"R"
0013h	P_ID _{Lo}	PrVendor	23h	52	"R"
0014h	P_ID _{Hi}	ID#	24h	59	"Y"
0015h	PLO	PrVendor	25h	59	"Y"
0016h	PHI	TblAdr	26h	P_ID _{Lo}	PrVendor
0017h	A_ID _{Lo}	AltVendor	27h	P_ID _{Lo}	ID#
0018h	A_ID _{Hi}	ID#	28h	P_ID _{Hi}	ID#
...

Query Structure Overview

The Query command causes the MTP component to display the Common Flash Interface (CFI) Query structure or "database". The structure sub-sections and address locations are summarized below.

Table 5. Query Structure (1)

Offset	Sub-Section	Name Description
00h		Manufacturer Code
01h		Device Code
(BA+2)h (2)	Block Status Register	Block-Specific Information
04-0Fh	Reserved	<i>Reserved for Vendor-Specific Information</i>
10h	CFI Query Identification String	<i>Reserved for Vendor-Specific Information</i>
1Bh	System Interface Information	Command Set ID and Vendor Data Offset
27h	Device Geometry Definition	MTP Device Layout
P (3)	Primary MXIC-Specific Extended Query Table	Vendor-Defined Additional Information Specific to the Primary Vendor Algorithm

NOTES:

1. Refer to the Query Structure Output section and offset 28h for the detailed definition of offset address as a function of device bus width and mode.
2. BA = Block Address beginning location (i.e., 02000h is block 2s beginning location when the block size is 128 Kbyte).
3. Offset 15 defines "P" which points to the *Primary MXIC-Specific Extended Query Table*.

Block Status Register

The block status register indicates whether an erase operation completed successfully or whether a given block is locked or can be accessed for MTP program/erase operations.

Table 6. Block Status Register

Offset	Length	Description	Address	Value
(BA+2)h (1)	1	Block Lock Status Register	BA+2:	--00 or --01
		BSR.0 Block Lock Status		
		0 = Unlocked 1 = Locked	BA+2:	(bit 0): 0 or 1
		BSR 1-7: <i>Reserved for Future Use</i>	BA+2:	(bit 1-7): 0

NOTE:

1. BA = The beginning location of a Block Address (i.e., 008000h is block 1s (64-KB block) beginning location in word mode).

CFI Query Identification String

The CFI Query Identification String provides verification that the component supports the Common Flash Interface specification. It also indicates the specification version and supported vendor-specified command set(s).

Table 7. CFI Identification

Offset	Length	Description	Add.	Hex Code	Value
10h	3	Query-unique ASCII string "QRY"	10	--51	"Q"
			11:	--52	"R"
			12:	--59	"Y"
13h	2	Primary vendor command set and control interface ID code.	13:	--01	
		16-bit ID code for vendor-specified algorithms	14:	--00	
15h	2	Extended Query Table primary algorithm address	15:	--31	
			16:	--00	
17h	2	Alternate vendor command set and control interface ID code.	17:	--00	
		0000h means no second vendor-specified algorithm exists	18:	--00	
19h	2	Secondary algorithm Extended Query Table address.	19:	--00	
		0000h means none exists	1A:	--00	

System Interface Information

The following device information can optimize system interface software.

Table 8. System Interface Information

Offset	Length	Description	Add.	Hex Code	Value
1Bh	1	VCC logic supply minimum program/erase voltage bits 0-3 BCD 100 mV bits 4-7 BCD volts	1B:	--30	3.0V
1Ch	1	VCC logic supply maximum program/erase voltage bits 0-3 BCD 100 mV bits 4-7 BCD volts	1C:	--36	3.6 V
1Dh	1	VPP [programming] supply minimum program/erase voltage bits 0-3 BCD 100 mV bits 4-7 HEX volts	1D:	--00	0.0V
1Eh	1	VPP [programming] supply maximum program/erase voltage bits 0-3 BCD 100 mV bits 4-7 HEX volts	1E:	--00	0.0V
1Fh	1	"n" such that typical single word program time-out = 2 ⁿ us	1F:	--07	128us
20h	1	"n" such that typical max. buffer write time-out = 2 ⁿ us	20:	--07	128us
21h	1	"n" such that typical block erase time-out = 2 ⁿ ms	21:	--0A	1s
22h	1	"n" such that typical full chip erase time-out = 2 ⁿ ms	22:	--00	NA
23h	1	"n" such that maximum word program time-out = 2 ⁿ times typical	23:	--04	2ms
24h	1	"n" such that maximum buffer write time-out = 2 ⁿ times typical	24:	--04	2ms
25h	1	"n" such that maximum block erase time-out = 2 ⁿ times typical	25:	--04	16s
26h	1	"n" such that maximum chip erase time-out = 2 ⁿ times typical	26:	--00	NA

Device Geometry Definition

This field provides critical details of the MTP device geometry.

Table 9. Device Geometry Definition

Offset	Length	Description	Code See Table Below		
27h	1	"n" such that device size = 2^n in number of bytes	27:	--17	
28h	2	MTP device interface: x8 async(28:00,29:00), x16 async(28:01,29:00), x8/x16 async(28:02,29:00)	28: 29:	--01 --00	x16
2Ah	2	"n" such that maximum number of bytes in write buffer = 2^n	2A: 2B:	--05 --00	32
2Ch	1	Number of erase block regions within device: 1. x = 0 means no erase blocking; the device erases in "bulk" 2. x specifies the number of device or partition regions with one or more contiguous same-size erase blocks 3. Symmetrically blocked partitions have one blocking region 4. Partition size = (total blocks) x (individual block size)	2C:	--01	1
2Dh	4	Erase Block Region 1 Information bits 0-15 = y, y+1 = number of identical-size erase blocks bits 16-31 = z, region erase block(s) size are z x 256 bytes	2D:	--3F	
			2E:	--00	
			2F:	--00	
			30:	--02	

Primary-Vendor Specific Extended Query Table

Certain MTP features and commands are optional. The *Primary Vendor-Specific Extended Query* table specifies this and other similar information.

Table 10. Primary Vendor-Specific Extended Query

Offset(1) P=31h	Length	Description (Optional MTP Features and Commands)	Add.	Hex Code	Value
(P+0)h (P+1)h (P+2)h	3	Primary extended query table Unique ASCII string "PRI"	31: 32: 33:	--50 --52 --49	"P" "R" "I"
(P+3)h	1	Major version number, ASCII	34:	--31	"1"
(P+4)h	1	Minor version number, ASCII	35:	--31	"1"
(P+5)h (P+6)h (P+7)h (P+8)h	4	Optional feature and command support (1=yes, 0=no) bits 9-31 are reserved; undefined bits are "0". If bit 31 is "1" then another 31 bit field of optional features follows at the end of the bit-30 field.	36: 37: 38: 39:	--C8 --00 --00 --00	
		bit 0 Chip erase supported bit 1 Suspend erase not supported bit 2 Suspend program not supported bit 3 Legacy lock/unlock supported bit 4 Queued erase supported bit 5 Instant Individual block locking supported bit 6 Protection bits supported bit 7 Page-mode read supported bit 8 Synchronous read supported		bit 0 = 0 bit 1 = 0 bit 2 = 0 bit 3 = 1(1) bit 4 = 0 bit 5 = 0 bit 6 = 1 bit 7 = 1 bit 8 = 0	No No No Yes(1) No No Yes Yes No
(P+9)h	1	Reserved for future use	3A:	--00	
(P+A)h (P+B)h	2	Block status register mask bits 2-15 are Reserved; undefined bits are "0"	3B: 3C:	--01 --00	
		bit 0 Block Lock-Bit Status register active bit 1 Block Lock-Down Bit Status active		bit 0 = 1 bit 1 = 0	Yes No
(P+C)h	1	VCC logic supply highest performance program/erase voltage bits 0-3 BCD value in 100 mV bits 4-7 BCD value in volts	3D:	--33	3.3V
(P+D)h	1	VPP optimum program/erase supply voltage bits 0-3 BCD value in 100 mV bits 4-7 HEX value in volts	3E:	--00	0.0V

NOTE:

1. Future devices may not support the described "Legacy Lock/Unlock" function. Thus bit 3 would have a value of "0".

Table 11. Protection Register Information

Offset(1)	Length	Description	Add.	Hex Code	Value
P=31h (Optional MTP Features and Commands)					
(P+E)h	1	Number of Protection register fields in JEDEC ID space. "00h," indicates that 256 protection bytes are available	3F:	--01	01
Protection Field 1: Protection Description This field describes user-available One Time Programmable (OTP) protection register bytes. Some are pre-programmed with device-unique serial numbers. Others are user-programmable.					
(P+F)h		Bits 0-15 point to the protection register lock	40:	--00	00h
(P+10)h		byte, the section's first byte. The following bytes are factory pre-programmed and user-programmable.			
(P+11)h		bits 0-7 = Lock/bytes JEDEC-plane physical low address			
(P+12)h		bits 8-15 = Lock/bytes JEDEC-plane physical high address			
		bits 16-23 = "n" such that 2 ⁿ = factory pre-programmed bytes			
		bits 24-31 = "n" such that 2 ⁿ = user-programmable bytes			

NOTE:

1. The variable P is a pointer which is defined at CFI offset 15h.

Table 12. Page Read Information

Offset(1)	Length	Description	Add.	Hex Code	Value
P=31h (Optional MTP Features and Commands)					
(P+13)h	1	Page Mode Read capability bits 0-7 = "n" such that 2 ⁿ HEX value represents the number of read-page bytes. See offset 28h for device word width to determine page-mode data output width. 00h indicates no read page buffer.	44:	--04	16 byte
(P+14)h	1	Number of synchronous mode read configuration fields that follow. 00h indicates no burst capability.	45:	--00	0
(P+15)h		Reserved for future use	46:		

NOTE:

1. The variable P is a pointer which is defined at CFI offset 15h.

DEVICE OPERATION

SILICON ID READ

The Silicon ID Read mode allows the reading out of a binary code from the device and will identify its manufacturer and type. This mode is intended for use by programming equipment for the purpose of automatically matching the device to be programmed with its corresponding programming algorithm. This mode is functional over the entire temperature range of the device.

To activate this mode, the two cycle "Silicon ID Read" command is requested. (The ID code value is illustrated in Table 13.)

During the "Silicon ID Read" Mode, manufacturer's code (MXIC=C2H) can be read out by setting A0=VIL and device identifier can be read out by setting A0=VIH.

To terminate the operation, it is necessary to write the read command. The "Silicon ID Read" command functions independently of the VPEN voltage. This command is valid only when the WSM is off.

Table 13. MX26L6419 Silicon ID Codes

Type	Address (1)	Code (HEX)	Q7	Q6	Q5	Q4	Q3	Q2	Q1	Q0
Manufacture Code	00000	C2H	1	1	0	0	0	0	1	0
Device Code	00001	00AEH	1	0	1	0	1	1	1	0
Block Lock Configuration - Block is Unlocked - Block is Locked - Reserved for Future Use	X0002 (2)	DQ0=0 DQ0=1 DQ1-7								

Notes:

1. The lowest order address line is A0.
2. X selects the specific blocks lock configuration code.

Table 14. Status Register Definitions

Symbol	High Z When Busy?	Status	Definition		Notes
			"1"	"0"	
SR.7	No	WRITE STATE MACHINE STATUS	Ready	Busy	1
SR.6	Yes	RESERVED			
SR.5	Yes	ERASE AND CLEAR LOCK-BITS STATUS	Error in Block Erasure or Clear Lock-Bits	Successful Block Erase or Clear Lock-Bits	2
SR.4	Yes	PROGRAM AND SET LOCK-BIT STATUS	Error in Setting Lock-Bit	Successful Set Block Lock Bit	
SR.3	Yes	PROGRAMMING VOLTAGE STATUS	Low Programming Voltage Detected, Operation Aborted	Programming Voltage OK	3
SR.2	Yes	RESERVED			
SR.1	Yes	DEVICE PROTECT STATUS	Block Lock-Bit Detected, Operation Abort	Unlock	4
SR.0	Yes	RESERVED			5

Notes

1. Check SR.7 to determine block erase, program, or lock-bit configuration completion. SR.6-SR.0 are not driven while SR.7 = 0
2. If both SR.5 and SR.4 are "1" after a block erase or lock-bit configuration attempt, an improper command sequence was entered.
3. SR.3 does not provide a continuous programming voltage level indication. The WSM interrogates and indicates the programming voltage level only after Block Erase, Program, Set Block Lock-Bit, or Clear Block Lock-Bits command sequences.
4. SR.1 does not provide a continuous indication of block lock-bit values. The WSM interrogates the block lock-bits only after Block Erase, Program, or Lock-Bit configuration command sequences. It informs the system, depending on the attempted operation, if the block lock-bit is set. Read the block lock configuration codes using the Read Identifier Codes command to determine block lock-bit status.
5. SR.0 is reserved for future use and should be masked when polling the status register.

Table 15. Extended Status Register Definitions

Symbol	High Z When Busy?	Status	Definition		Notes
			"1"	"0"	
XSR.7	No	WRITE BUFFER STATUS	Write buffer available	Write buffer not available	1
XSR.6-XSR.0	Yes	RESERVED			2

Notes:

1. After a Buffer-Write command, XSR.7 = 1 indicates that a Write Buffer is available.
2. XSR.6-XSR.0 are reserved for future use and should be masked when polling the status register.

READ STATUS REGISTER COMMAND

The Status Register is read after writing the Read Status Register command of 70H to the Command User Interface. Also, after starting the internal operation the device is set to the Read Status Register mode automatically.

The contents of Status Register are latched on the later falling edge of \overline{OE} or the first edge of \overline{CE} that enables the device \overline{OE} must be toggle to VIH or the device must be disable before further reads to update the status register latch. The Read Status Register command functions independently of the VPEN voltage.

CLEAR STATUS REGISTER COMMAND

The Erase Status, Program Status, Block Status bits and protect status are set to "1" by the Write State Machine and can only be reset by the Clear Status Register command of 50H. These bits indicates various failure conditions.

BLOCK ERASE COMMAND

Automated block erase is initiated by writing the Block Erase command of 20H followed by the Confirm command of D0H. An address within the block to be erased is required (erase changes all block data to FFH).

Block preconditioning, erase, and verify are handled internally by the WSM (invisible to the system). The CPU can detect block erase completion by analyzing the status register bit SR.7. Toggle \overline{OE} , \overline{CE} to update the status register. The CUI remains in read status register mode until a new command is issued. Also, reliable block erasure can only occur when VCC is valid and VPEN = VPENH .

WRITE TO BUFFER COMMAND

To program the device, a Write to Buffer command is issue first. A variable number of bytes, up to the buffer size, can be loaded into the buffer and written to the MTP device. First, the Write to Buffer Setup command is issued along with the Block Address (see Figure 4, Write to Buffer Flowchart on page 25). After the command is issued, the extended Status Register (XSR) can

be read when \overline{CE} is VIL. XSR.7 indicates if the Write Buffer is available.

If the buffer is available, the number of words to be program is written to the device. Next, the start address is given along with the write buffer data. Subsequent writes provide additional device addresses and data, depending on the count. After the last buffer data is given, a Write Confirm command must be issued. The WSM beginning copy the buffer data to the MTP array.

If an error occurs while writing, the device will stop writing, and status register bit SR.4 will be set to a "1" to indicate a program failure. The internal WSM verify only detects errors for "1" that do not successfully program to "0" . If a program error is detected, the status register should be cleared. Any time SR.4 and/or SR.5 is set, the device will not accept any more Write to Buffer commands. Reliable buffered writes can only occur when VCC is valid and VPEN = VPENH. Also, successful programming requires that the corresponding block lock-bit be reset.

WORD PROGRAM COMMANDS

Word program is executed by a two-command sequence. The Word Program Setup command of 40H is written to the Command Interface, followed by a second write specifying the address and data to be written. The WSM controls the program pulse application and verify operation. The CPU can detect the completion of the program event by analyzing the status register bit SR.7.

If a word program is attempted while VPEN_V PENLK, status register bits SR.4 and SR.3 will be set to "1". Successful word programs require that the corresponding block lock-bit be cleared. If a word program is attempted when the corresponding block lock-bit is set, SR.1 and SR.4 will be set to "1".

ACC FAST PROGRAM/ERASE FUNCTIONS

When VPP is between 3.0V and 3.6V, all program and erase current is drawn through the VCC pin. When ACC pin is connected to a 12V power supply, the device draws program and erase current directly from the ACC pin. This eliminates the need for an external switching transistor control the voltage VPP.

The 12V ACC mode enhances programming performance during the short period of time typically found in manufacturing processes; however, it is not intended for extended use. ACC pin may be connected to 12V for a total of 80 hours maximum. Stressing the device beyond these limits may cause permanent damage.

Read Configuration

The device will support both asynchronous page mode and standard word reads. No configuration is required. Status register and identifier only support standard word single read operations.

Table 16. Read Configuration Register Definition

RM	R	R	R	R	R	R	R
15(A15)	14	13	12	11	10	9	8
R	R	R	R	R	R	R	R
7	6	5	4	3	2	1	0
				Notes			
RCR.15 = READ MODE (RM) 0 = Standard Word Reads Enabled (Default) 1 = Page-Mode Reads Enabled				Read mode configuration effects reads from the MTP array. Status register, query, and identifier reads support standard word read cycles.			
RCR.14-0= RESERVED FOR FUTURE ENHANCEMENTS (R)				These bits are reserved for future use. Set these bits to "0".			

Set Block Lock-Bit Commands

This device provided the block lock-bits, to lock and unlock the individual block. To set the block lock-bit, the two cycle Set Block Lock-Bit command is requested. This command is invalid while the WSM is running. Writing the set block lock-bit command of 60H followed by confirm command and an appropriate block address. After the command is written, the device automatically outputs status register data when read. The CPU can detect the completion of the set lock-bit event by analyzing the status register bit SR.7. Also, reliable operations occur only when VCC and VPEN are valid. With VPEN_VPENLK, lock-bit contents are protected against alteration.

Clear Block Lock-Bits Command

All set block lock-bits can clear by the Clear Block Lock-Bits command. This command is invalid while the WSM is running. To Clear the block lock-bits, two cycle command is requested. The device automatically outputs status register data when read. The CPU can detect completion of the clear block lock-bits event by analyzing the status register bit SR.7. If a clear block lock-bits operation is aborted due to VPEN or VCC transitioning out of valid range, block lock-bit values are left in an undetermined state. A repeat of clear block lock-bits is required to initialize block lock-bit contents to known values.

Protection Register Program Command

The device offer a 128-bit protection register to increase the security of a system design. The 128-bits protection register are divided into two 64-bit segments. One is programmed in the factory with a unique 64-bit number, which is unchangeable. The other one is left blank for customer designers to program as desired. Once the customer segment is programmed, it can be locked to prevent reprogramming.

Reading the Protection Register

The protection register is read in the identification read mode. The device is switched to this mode by writing the Read Identifier command 90H. Once in this mode, read cycles from addresses retrieve the specified informa-

tion. To return to read array mode, write the Read Array command (FFH).

Programming the Protection Register

The protection register bits are programmed using the two-cycle Protection Program command. The 64-bit number is programmed 16 bits at a time for word-wide parts. First write the Protection Program Setup command, C0H. The next write to the device will latch in address and data and program the specified location.

Any attempt to address Protection Program commands outside the defined protection register address space will result in a status register error. Attempting to program a locked protection register segment will result in a status register error.

Locking the Protection Register

The user-programmable segment of the protection register is lockable by programming Bit 1 of the PR-LOCK location to 0. Bit 0 of this location is programmed to 0 at the MXIC factory to protect the unique device number. Bit 1 is set using the Protection Program command to program "FFFD" to the PR-LOCK location. After these bits have been programmed, no further changes can be made to the values stored in the protection register. Protection Program commands to a locked section will result in a status register error. Protection register lockout state is not reversible.

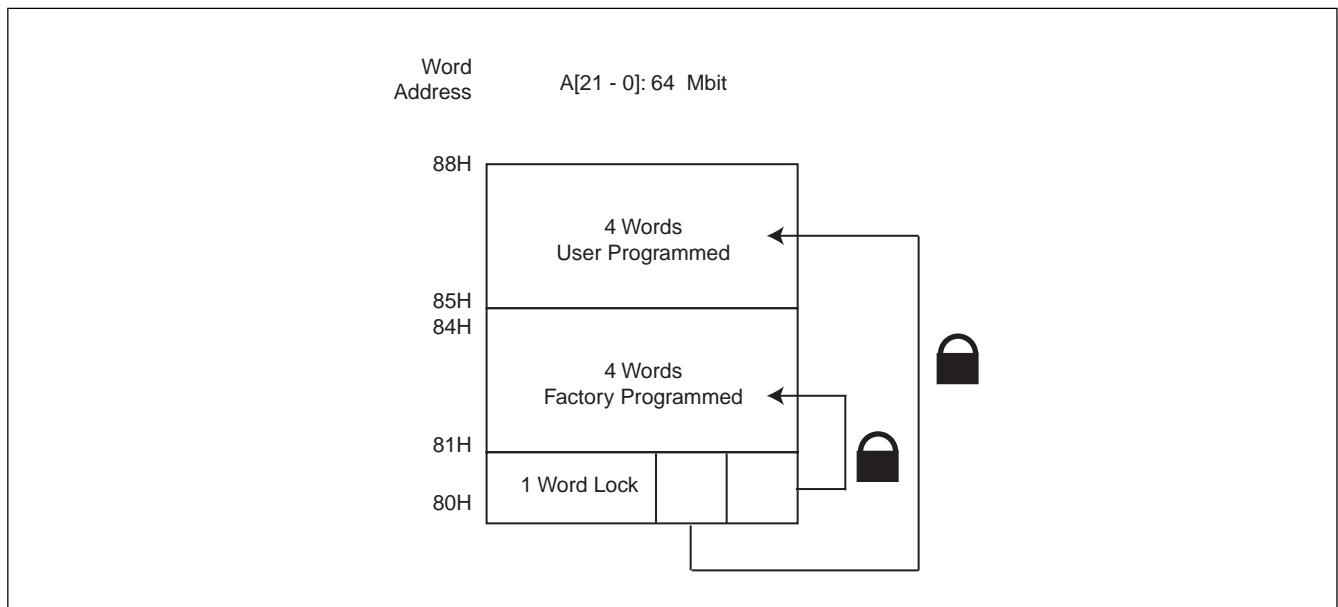
VCC, VPEN, RESET--TRANSITIONS

Block erase, program, and lock-bit configuration are not guaranteed if VPEN or VCC falls outside of the specified operating ranges, or $\overline{\text{RESET}} = \text{VIH}$. If $\overline{\text{RESET}}$ transitions to VIL during block erase, program, or lock-bit configuration will remain low for a maximum time of $t_{\text{PLPH}} + t_{\text{PHRH}}$ until the reset operation is complete. Then, the operation will abort and the device will enter reset/power-down mode. The aborted operation may leave data partially corrupted after programming, or partially altered after an erase or lock-bit configuration. Therefore, block erase and lock-bit configuration commands must be repeated after normal operation is restored. Device power-off or $\overline{\text{RESET}} = \text{VIL}$ clears the Status Register.

The CUI latches commands issued by system software and is not altered by VPEN, \overline{CE} transitions, or WSM actions. Its state is read array mode upon power-up, after exit from reset/power-down mode, or after VCC transitions below VLKO. VCC must be kept at or above VPEN during VCC transitions.

After block erase, program, or lock-bit configuration, even after VPEN transitions down to VPENLK, the CUI must be placed in read array mode via the Read Array command if subsequent access to the memory array is desired. VPEN must be kept at or below VCC during VPEN transitions.

Figure 3. Protection Register Memory Map



NOTE: The lowest order address line is A0.

Table 17. Word-Wide Protection Register Addressing

Word	Use	A7	A6	A5	A4	A3	A2	A1	A0
LOCK	Both	1	0	0	0	0	0	0	0
0	Factory	1	0	0	0	0	0	0	1
1	Factory	1	0	0	0	0	0	1	0
2	Factory	1	0	0	0	0	0	1	1
3	Factory	1	0	0	0	0	1	0	0
4	User	1	0	0	0	0	1	0	1
5	User	1	0	0	0	0	1	1	0
6	User	1	0	0	0	0	1	1	1
7	User	1	0	0	0	1	0	0	0

NOTE: 1. All address lines not specified in the above table must be 0 when accessing the Protection Register, i.e., A21-A8 = 0.

Figure 4. Write to Buffer Flowchart

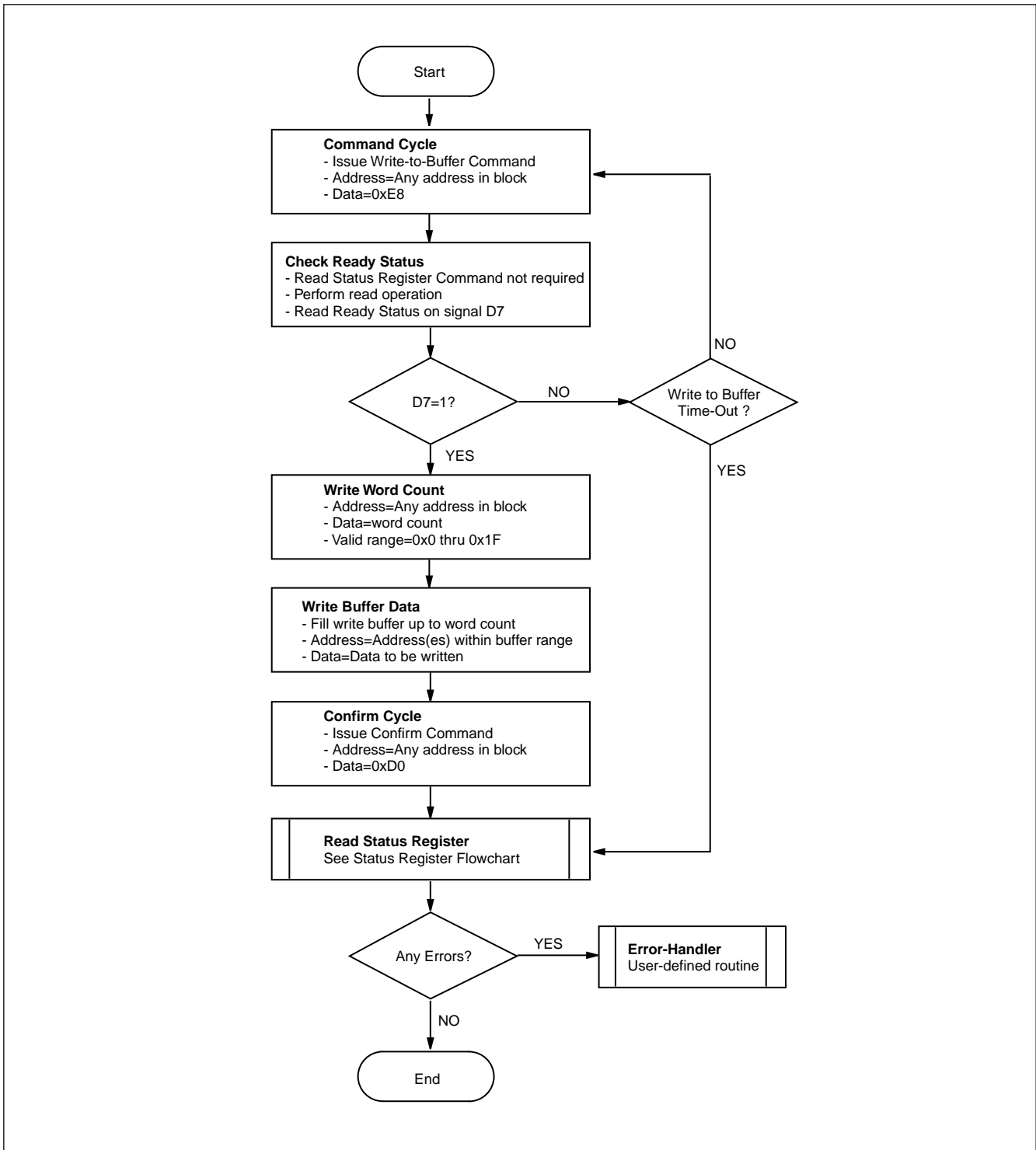


Figure 5. Status Register Flowchart

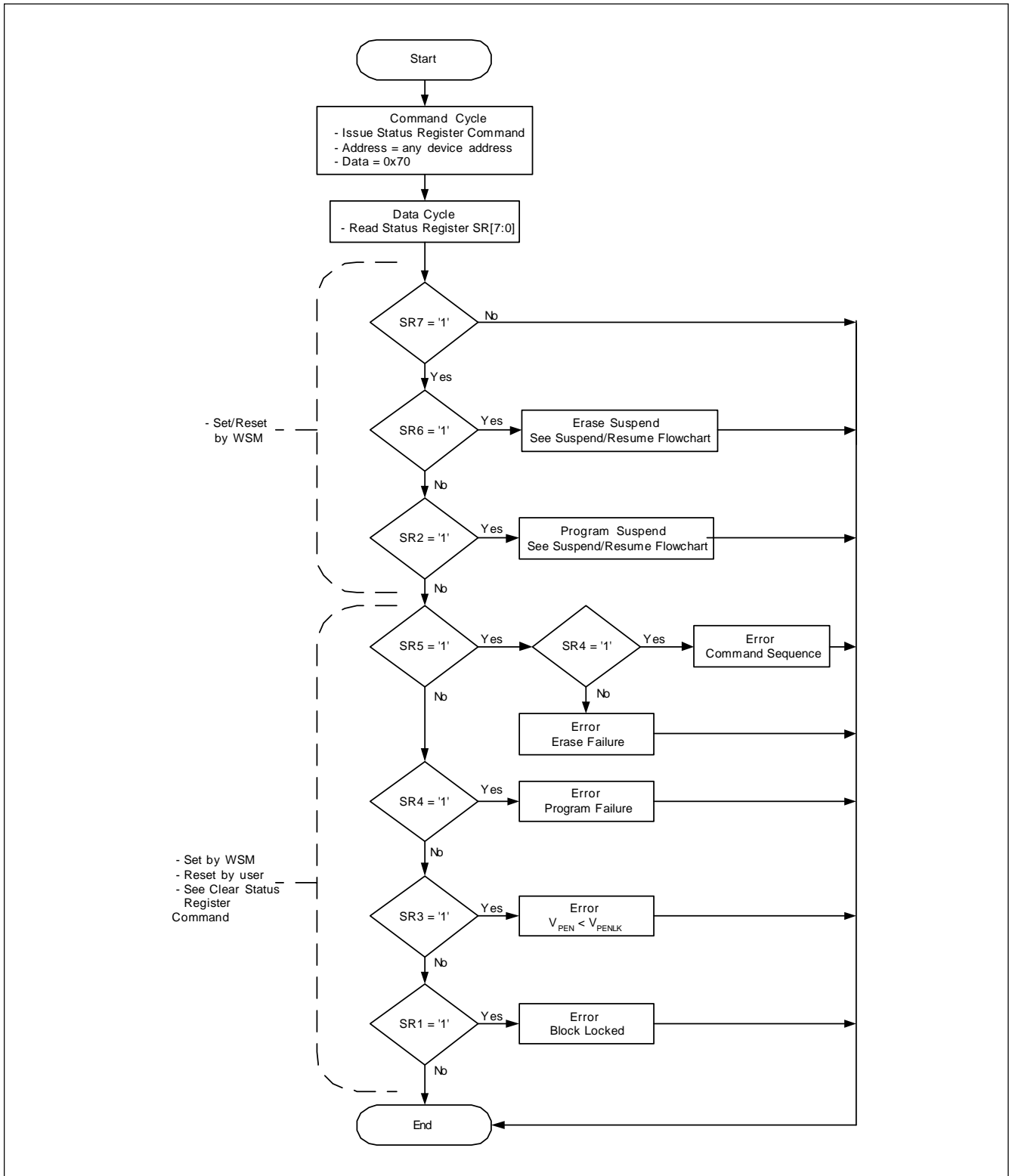
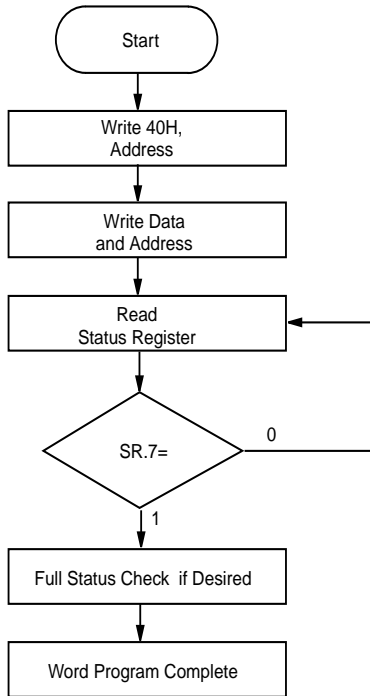


Figure 6. Word Programming Flowchart



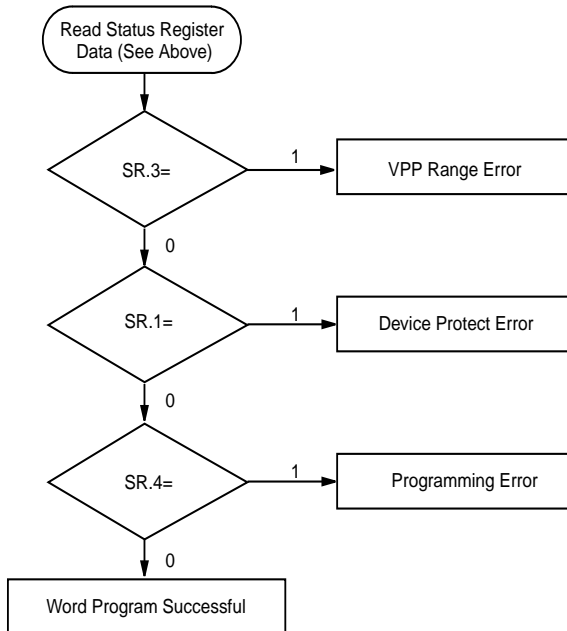
Bus Operation	Command	Comments
Write	Setup Word Program	Data=40H Addr=Location to Be Programmed
Write	Word Program	Data=Data to Be Programmed Addr=Location to Be Programmed
Read (Note 1)		Status Register Data
Standby		Check SR.7 1=WSM Ready 0=WSM Busy

1. Toggling OE (low to high to low) updates the status register. This can be done in place of issuing the Read Status Register command. Repeat for subsequent programming operations.

SR full status check can be done after each program operation, or after a sequence of programming operations.

Write FFH after the last program operation to place device in read array mode.

FULL STATUS CHECK PROCEDURE



Bus Operation	Command	Comments
Standby		Check SR.3 1=Programming to Voltage Error Detect
Standby		Check SR.1 1=Device Protect Detect RP=VIH, Block Lock-Bit is Set Only required for systems
Standby		Check SR.4 1=Programming Error

Toggling OE (low to high to low) updates the status register. This can be done in place of issuing the Read Status Register command. Repeat for subsequent programming operations.

SR.4, SR.3, and SR.1 are only cleared by the Clear Status Register Command in cases where multiple location are programmed before full status is checked. If an error is detected, clear the status register before attempting retry or other error recovery.

Figure 7. Block Erase Flowchart

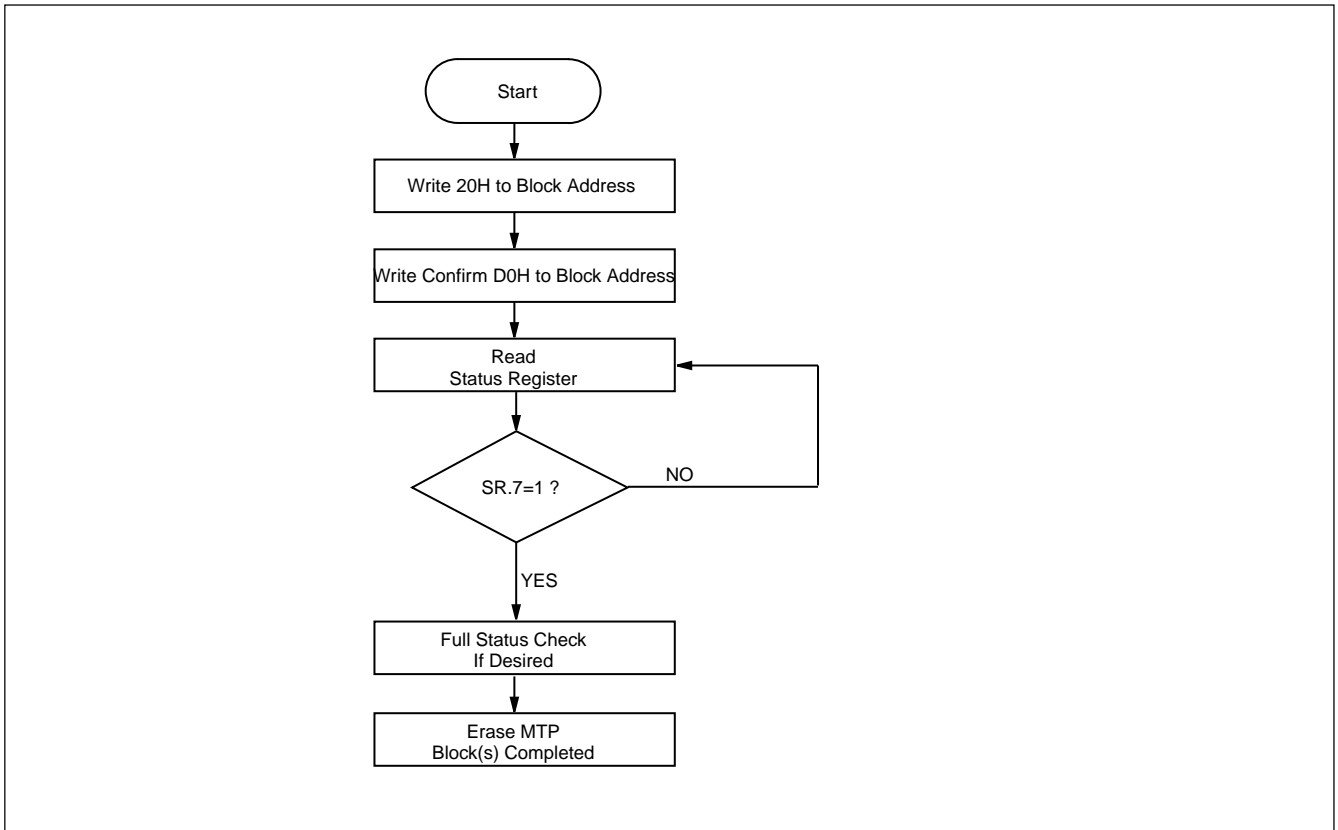


Figure 8. Set Block Lock-Bit Flowchart

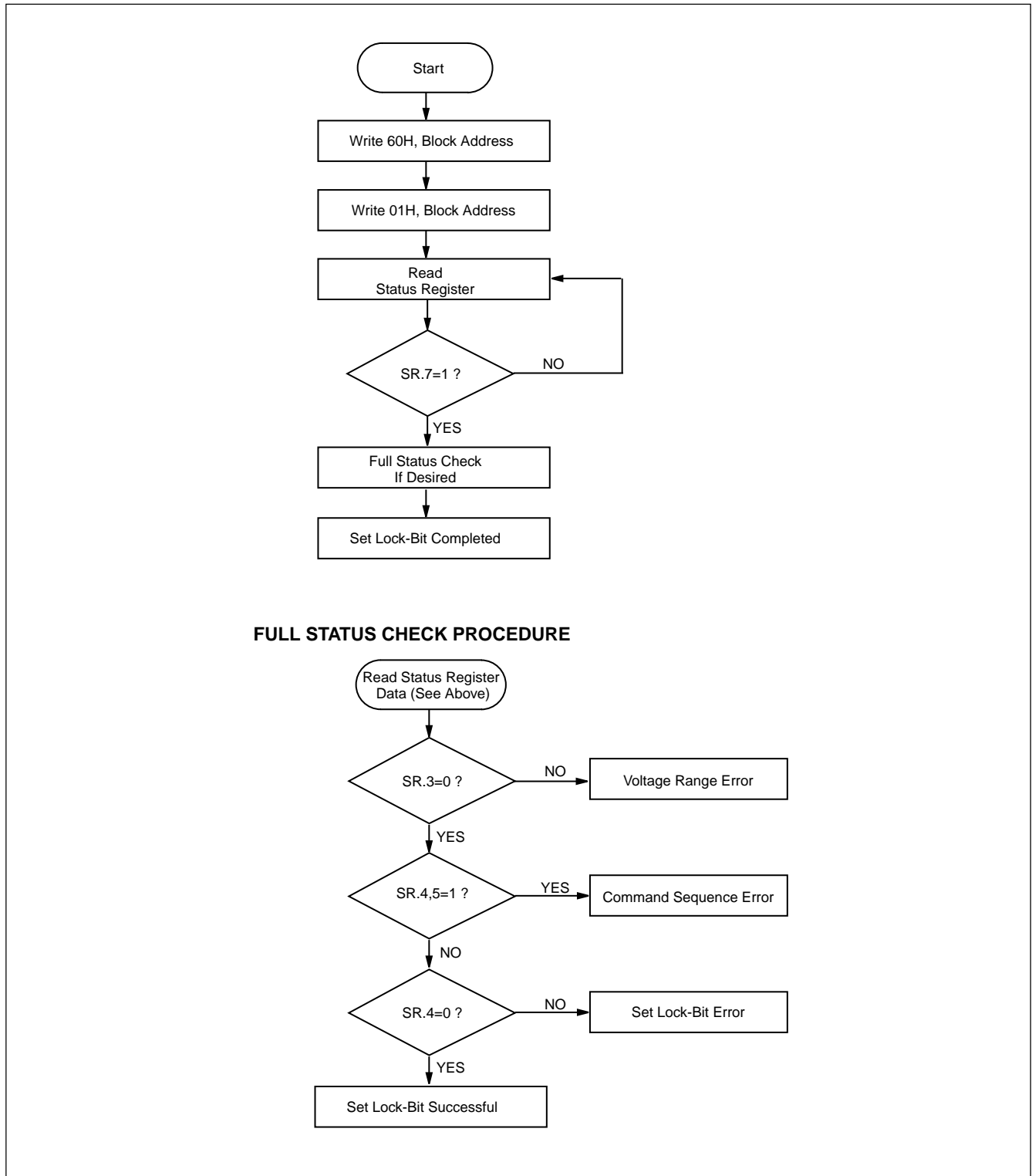


Figure 9. Clear Lock-Bit Flowchart

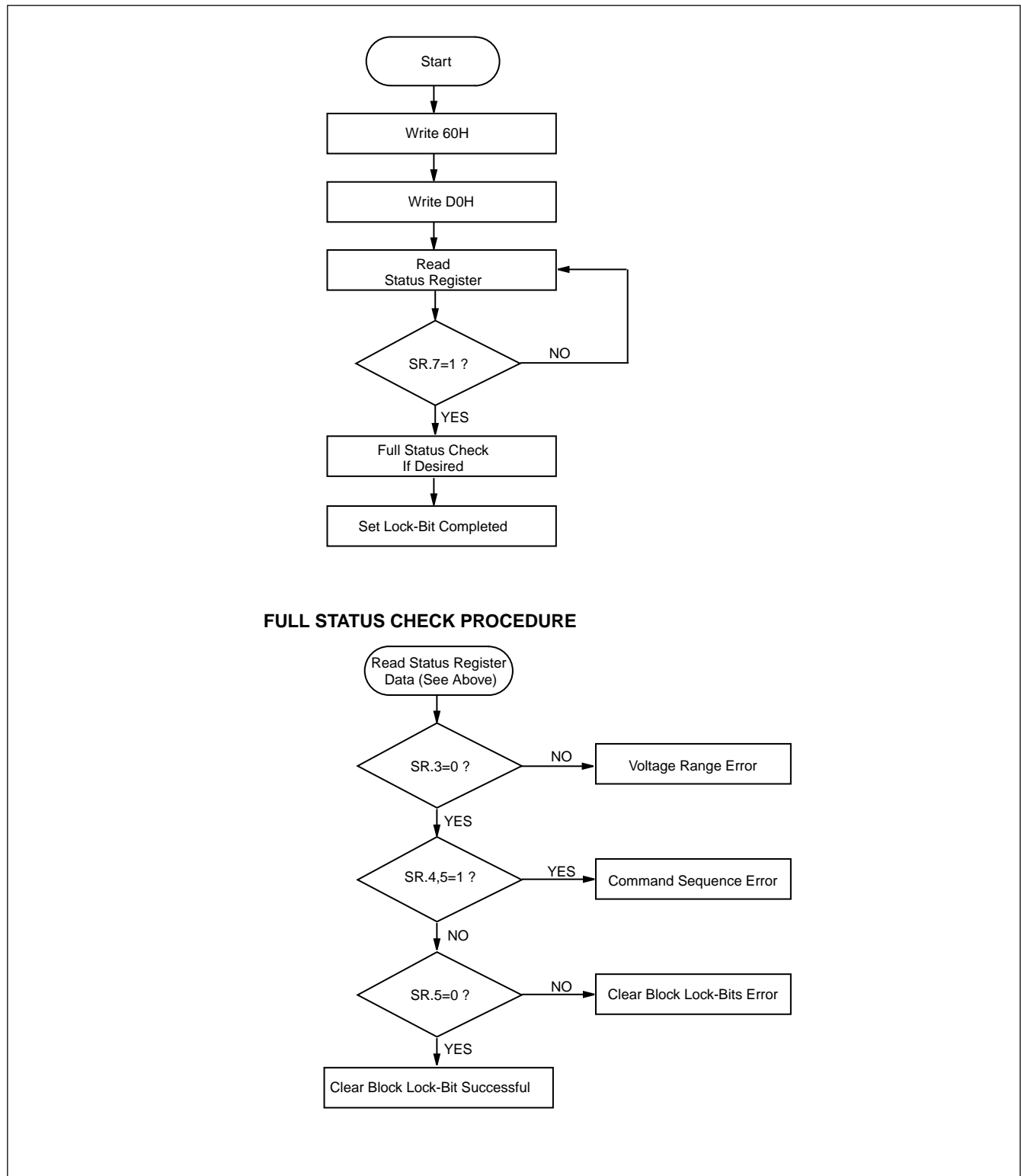
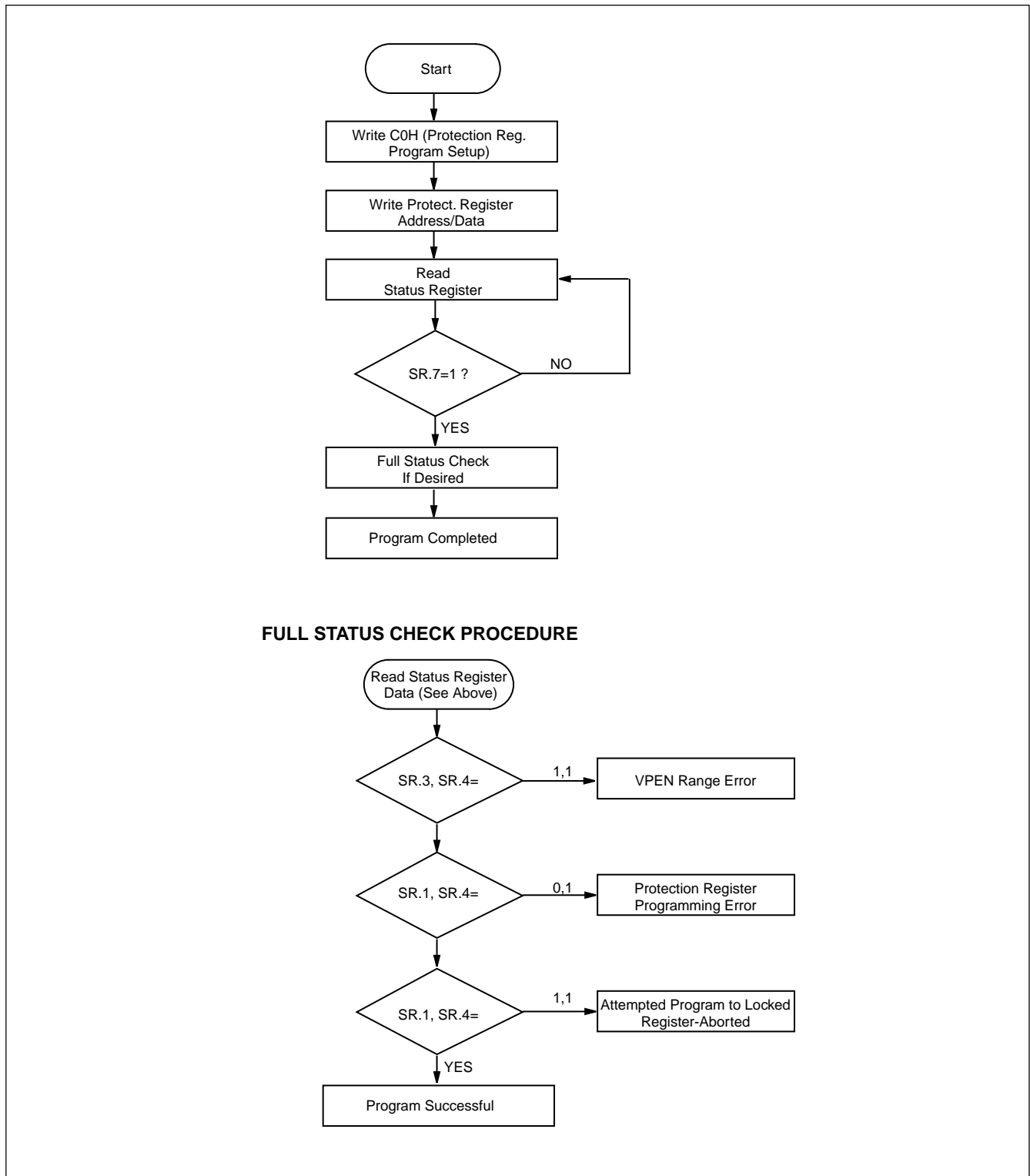


Figure 10. Protection Register Programming Flowchart



ABSOLUTE MAXIMUM RATINGS

Storage Temperature
Plastic Packages -65°C to +150°C
Ambient Temperature
with Power Applied. -65°C to +125°C
Voltage with Respect to Ground
VCC (Note 1) -0.5 V to +4.0 V
RESET (Note 2) -0.5 V to +12.5 V
All other pins (Note 1) -0.5 V to VCC +0.5 V
ACC pin (Note 1, Note 4) -0.5 V to +13.5 V
Output Short Circuit Current (Note 3) 200 mA

Notes:

1. Minimum DC voltage on input or I/O pins is -0.5 V.
During voltage transitions, input or I/O pins may overshoot VSS to -2.0 V for periods of up to 20 ns. See Figure 6. Maximum DC voltage on input or I/O pins is VCC +0.5 V. During voltage transitions, input or I/O pins may overshoot to VCC +2.0 V for periods up to 20 ns. See Figure 7.
2. Minimum DC input voltage on pins RESET is -0.5 V.
During voltage transitions, RESET may overshoot VSS to -2.0 V for periods of up to 20 ns. See Figure 6.
3. No more than one output may be shorted to ground at a time. Duration of the short circuit should not be greater than one second.
4. ACC pin may be connected to 12V for a total of 80 hours maximum.

Stresses above those listed under "Absolute Maximum Ratings" may cause permanent damage to the device. This is a stress rating only; functional operation of the device at these or any other conditions above those indicated in the operational sections of this data sheet is not implied. Exposure of the device to absolute maximum rating conditions for extended periods may affect device reliability.

OPERATING RATINGS

Commercial (C) Devices

Ambient Temperature (TA) 0°C to +70°C

Vcc Supply Voltages

Vcc for full voltage range. +3.0 V to 3.6 V

Operating ranges define those limits between which the functionality of the device is guaranteed.

DC Characteristics

Symbol	Parameter	Notes	Typ	Max	Unit	Test Conditions
ILI	Input and VPEN Load Current			±1	uA	VCC = VCC Max; VCCQ = VCCQ Max VIN = VCCQ or GND
ILO	Output Leakage Current			±10	uA	VCC = VCC Max; VCCQ = VCCQ Max VIN = VCCQ or GND
ICC1	VCC Standby Current	1,2	25	80	uA	CMOS Inputs, VCC = VCC Max, Device is disabled (see table 1) $\overline{\text{RESET}} = \text{VCCQ} \pm 0.2\text{V}$
			0.71	2	mA	TTL Inputs, VCC = VCC max, Device is disable (see table 1), $\overline{\text{RESET}} = \text{VIH}$
ICC2	VCC Power-Down Current		25	80	uA	$\overline{\text{RESET}} = \text{GND} \pm 0.2\text{V}$,
ICC3	VCC Page Mode Read Current	2	15	20	mA	CMOS Inputs, VCC = VCC Max, VCCQ = VCCQ Max Device is enabled (see Table 1) f = 5MHz, IOOUT = 0mA
			24	29	mA	CMOS Inputs, VCC = VCC Max, VCCQ = VCCQ Max Device is enabled (see Table 1) f = 33MHz, IOOUT = 0mA
ICC5	VCC Program or Set Lock-Bit Current		35	60	mA	CMOS Inputs, VPEN = VCC
			40	70	mA	TTL Inputs, VPEN = VCC
ICC6	VCC Block Erase or Clear Block Lock-Bits Current		35	70	mA	CMOS Inputs, VPEN = VCC
			40	80	mA	TTL Inputs, VPEN = VCC

DC Characteristics, Continued

Symbol	Parameter	Notes	Min	Max	Unit	Test Conditions
VIL	Input Low Voltage	2	-0.5	0.8	V	
VIH	Input High Voltage	2	2.0	VCCQ+0.5	V	
VOL	Output Low Voltage	2		0.4	V	VCCQ=VCCQ2/3 Min IOL=2mA
				0.2	V	VCCQ=VCCQ2/3 Min IOL=100uA
VOH	Output High Voltage	2	0.85 x VCCQ		V	VCCQ=VCCQ Min IOH=-2.5mA
			VCCQ-0.2		V	VCCQ=VCCQ Min IOH=-100uA
VPENLK	VPEN Lockout during Program, Erase and Lock-Bit Operations	2,3,4		0.5xVCC	V	
VPENH	VPEN during Block Erase, Program, or Lock-Bit Operations	3,4	3.0	3.6	V	
VLKO	VCC Lockout Voltage	5	2.2		V	

NOTES:

1. CMOS inputs are either $VCC \pm 0.2V$ or $GND \pm 0.2V$. TTL inputs are either VIL or VIH .
2. Sampled, not 100% tested.
3. Block erases, programming, and lock-bit configurations are inhibited when $VPEN \wedge VPENLK$, and not guaranteed in the range between VPENLK (max) and VPENH (min), and above VPENH (max).
4. Typically, VPEN is connected to VCC (3.0V - 3.6 V).
5. Block erases, programming, and lock-bit configurations are inhibited when $VCC < VLKO$, and not guaranteed in the range between VLKO (min) and VCC (min), and above VCC (max).

Figure 11. Transient Input/Output Reference Waveform for VCCQ=3.0V-3.6V

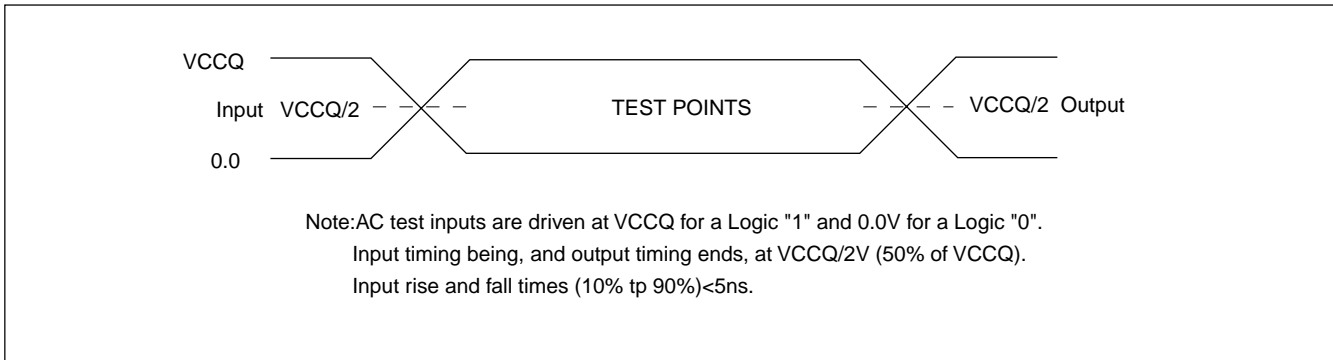
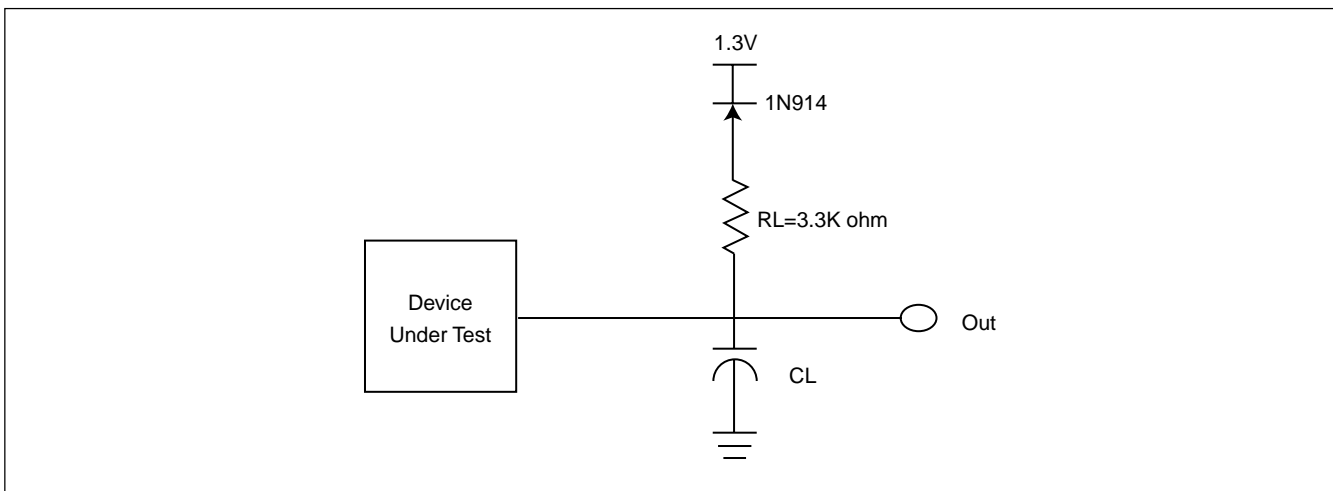


Figure 12. Transient Equivalent Testing Load Circuit



NOTE: CL Includes Jig Capacitance

Test Configuration	C L (pF)
VCCQ = VCC = 3.0 V-3.6 V	30

AC Characteristics --Read-Only Operations (1,2)

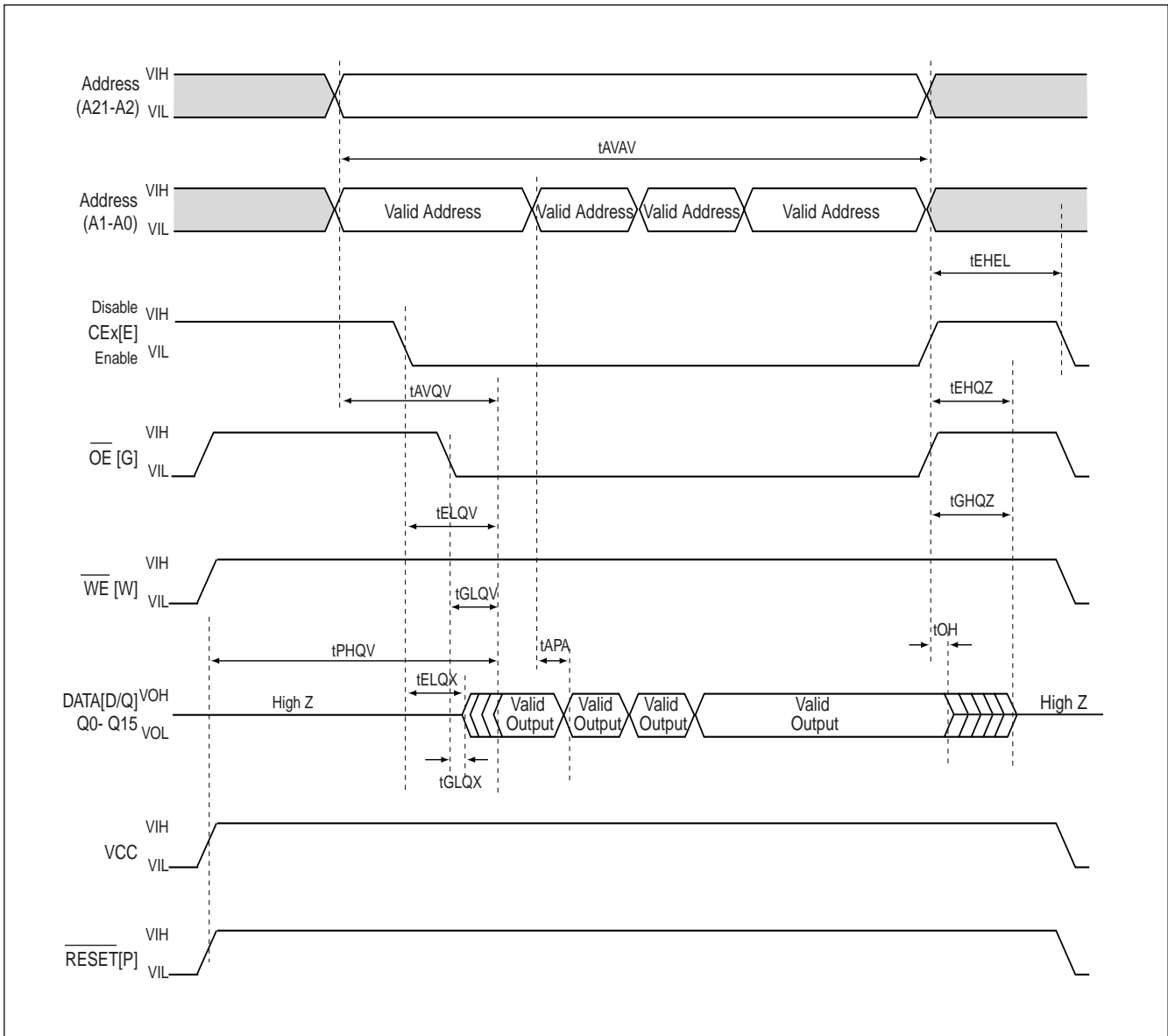
Versions (All units in ns unless otherwise noted)		VCC VCCQ	3.0V-3.6V(3) 3.0V-3.6V(3)	
Sym	Parameter	Notes	Min	Max
tAVAV	Read/Write Cycle Time		100	
tAVQV	Address to Output Delay			100
tELQV	CEX to Output Delay	2		100
tGLQV	\overline{OE} to Non-Array Output Delay	2, 4		50
tPHQV	\overline{RESET} High to Output Delay			180
tELQX	CEX to Output in Low Z	5	0	
tGLQX	\overline{OE} to Output in Low Z	5	0	
tEHQZ	CEX High to Output in High Z	5		35
tGHQZ	\overline{OE} High to Output in High Z	5		15
tOH	Output Hold from Address, CEX, or \overline{OE} Change, Whichever Occurs First	5	0	
tEHEL	CEx High to CEx Low	5	0	
tAPA	Page Address Access Time	5, 6		25
tGLQV	\overline{OE} to Array Output Delay	4		25

NOTES:

CEX low is defined as the first edge of \overline{CE} that enables the device. CEX high is defined at the first edge of \overline{CE} that disables the device (see Table 1).

1. See AC Input/Output Reference Waveforms for the maximum allowable input slew rate.
2. \overline{OE} may be delayed up to tELQV - tGLQV after the first edge of \overline{CE} that enables the device (see Table 1) without impact on tELQV .
3. See Figures 12-13, Transient Input/Output Reference Waveform for VCCQ = 3.0V - 3.6V and Transient Equivalent Testing Load Circuit for testing characteristics.
4. When reading the MTP array a faster tGLQV (R15) applies. Non-array reads refer to status register reads, query reads, or device identifier reads.
5. Sampled, not 100% tested.
6. For devices configured to standard word read mode, R14 (tAPA) will equal R1 (tAVQV).

Figure 13. AC Waveform for Both Page-Mode and Standard Word Read Operations



NOTE:

1. CE_x low is defined as the first edge of \overline{CE} that enables the device. CE_x high is defined at the first edge of \overline{CE} that disables the device (see Table 1).
2. For standard word read operations, t_{APA} will equal t_{AVQV} .
3. When reading the MTP array a faster t_{GLQV} applies. Non-array reads refer to status register reads, query reads, or device identifier reads.

AC Characteristics--Write Operations (1,2)

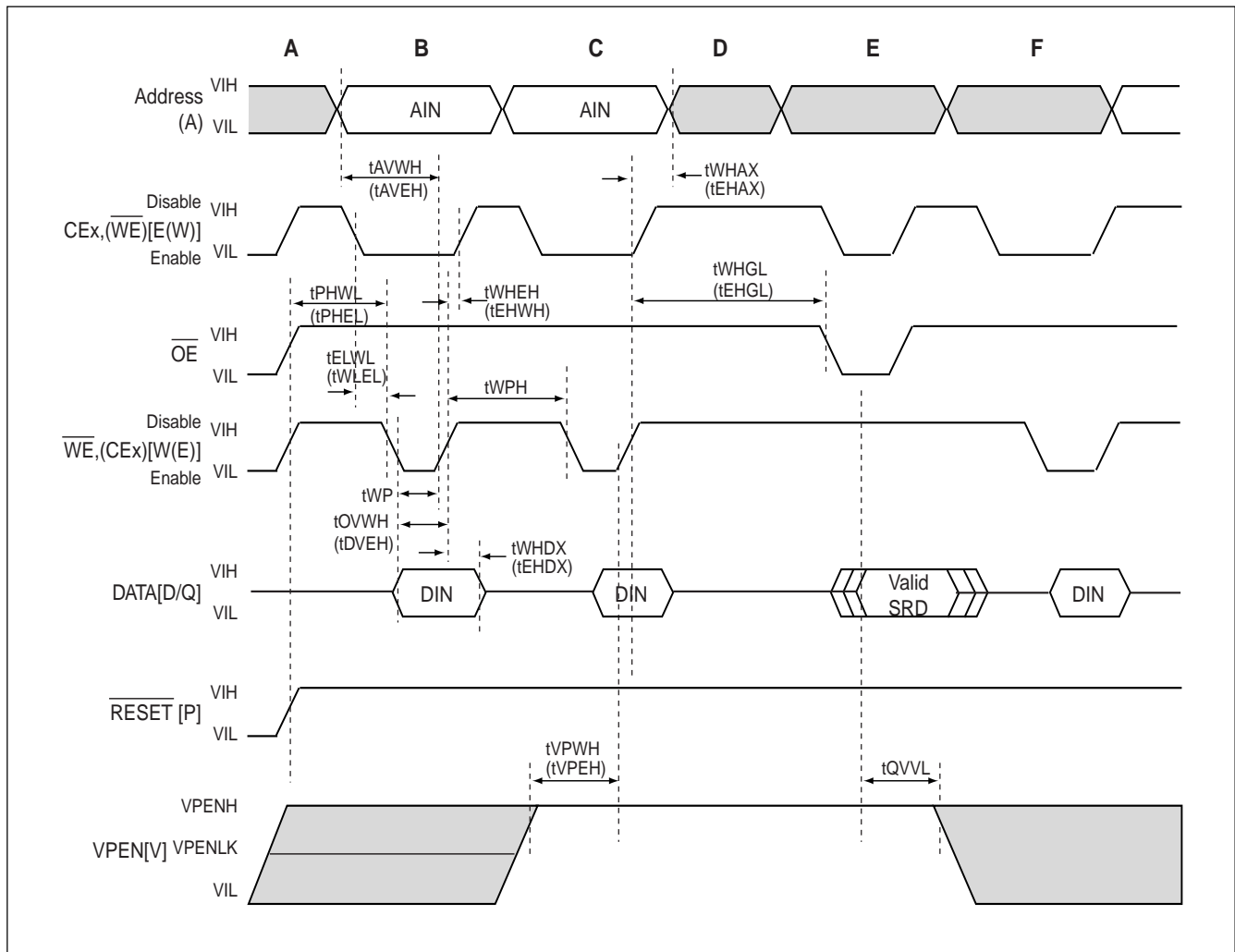
Versions			Valid for All Speeds		Unit
Symbol	Parameter	Notes	Min	Max	
tPHWL (tPHEL)	RESET High Recovery to \overline{WE} (CEX) Going Low	3	210		ns
tELWL (tWLEL)	CEX (\overline{WE}) Low to \overline{WE} (CEX) Going Low	4	0		ns
tWP	Write Pulse Width	4	70		ns
tDVWH (tDVEH)	Data Setup to \overline{WE} (CEX) Going High	5	50		ns
tAVWH (tAVEH)	Address Setup to \overline{WE} (CEX) Going High	5	55		ns
tWHEH (tEHWL)	CEX (\overline{WE}) Hold from \overline{WE} (CEX) High		0		ns
tWHDX (tEHDX)	Data Hold from \overline{WE} (CEX) High		0		ns
tWHAX (tEHAX)	Address Hold from \overline{WE} (CEX) High		0		ns
tWPH	Write Pulse Width High	6	30		ns
tVPWH (tVPEH)	VPEN Setup to \overline{WE} (CEX) Going High	3	0		ns
tWHGL (tEHGL)	Write Recovery before Read	7	35		ns
tQVVL	VPEN Hold from Valid SRD	3,8	0		ns
tWHQV5 (tEHQV5)	Set Lock-Bit Time	4,8	64	75/85	us
tWHQV6 (tEHQV6)	Clear Block Lock-Bits Time	4	0.5	2	sec

NOTES:

CEX low is defined as the first edge of \overline{CE} that enables the device. CEX high is defined at the first edge of \overline{CE} that disables the device (see Table 1).

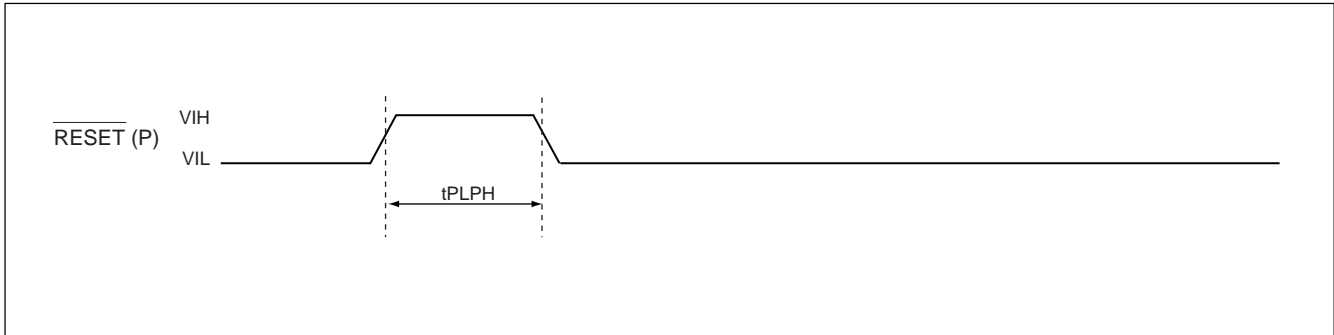
1. Read timing characteristics during block erase, program, and lock-bit configuration operations are the same as during read-only operations. Refer to AC Characteristics-Read-Only Operations.
2. A write operation can be initiated and terminated with either CE X or \overline{WE} .
3. Sampled, not 100% tested.
4. Write pulse width (tWP) is defined from CEX or \overline{WE} going low (whichever goes low last) to CEX or \overline{WE} going high (whichever goes high first). Hence, $tWP = tWLWH = tELEH = tWLEH = tELWH$.
5. Refer to Table 3 for valid A IN and D IN for block erase, program, or lock-bit configuration.
6. Write pulse width high (tWPH) is defined from CEX or \overline{WE} going high (whichever goes high first) to CEX or \overline{WE} going low (whichever goes low first). Hence, $tWPH = tWHWL = tEHEL = tWHEL = tEHWL$.
7. For array access, tAVQV is required in addition to tWHGL for any accesses after a write.
8. VPEN should be held at VPENH until determination of block erase, program, or lock-bit configuration success (SR.1/3/4/5=0).

Figure 14. AC Waveform for Write Operations



NOTES:

1. CEX low is defined as the first edge of \overline{CE} that enables the device. CEX high is defined at the first edge of \overline{CE} that disables the device (see Table 1).
 - a. VCC power-up and standby.
 - b. Write block erase, write buffer, or program setup.
 - c. Write block erase or write buffer confirm, or valid address and data.
 - d. Automated erase delay.
 - e. Read status register or query data.
 - f. Write Read Array command.

Figure 15. AC Waveform for Reset Operation

Reset Specifications (1)

Sym	Parameter	Notes	Min	Max	Unit
t_{PLPH}	$\overline{\text{RESET}}$ Pulse Low Time (If $\overline{\text{RESET}}$ is tied to VCC, this specification is not applicable)	2	35		us

NOTES:

1. These specifications are valid for all product versions (packages and speeds).
2. If $\overline{\text{RESET}}$ is asserted while a block erase, program, or lock-bit configuration operation is not executing then the minimum required $\overline{\text{RESET}}$ Pulse Low Time is 100ns.

ERASE AND PROGRAMMING PERFORMANCE(1)

PARAMETER	LIMITS			UNITS
	MIN.	TYP.(2)	MAX.	
Block Erase Time		2.0	15.0	sec
Write Buffer Byte Program Time (Time to Program 16 words)		218	900	us
Word Program Time (Using Word Program Command)		210	900	us
Block Program Time (Using Write to Buffer Command)		0.8	2.4	sec
Block Erase/Program Cycles	100			Cycles

Note: 1. Not 100% Tested, Excludes external system level over head.
 2. Typical values measured at 25°C, 3.3V. Additionally programming typically assume checkerboard pattern.

LATCH-UP CHARACTERISTICS

	MIN.	MAX.
Input Voltage with respect to GND on \overline{OE}	-1.0V	12.5V
Input Voltage with respect to GND on all power pins, Address pins, \overline{CE} and \overline{WE}	-1.0V	2 VCCmax
Input Voltage with respect to GND on all I/O pins	-1.0V	VCC + 1.0V
Current	-100mA	+100mA
Includes all pins except VCC. Test conditions: VCC = 3.0V, one pin at a time.		

CAPACITANCE TA=0°C to 70°C, VCC=3.0V~3.6V

Parameter Symbol	Parameter Description	Test Set	TYP	MAX	UNIT
CIN	Input Capacitance	VIN=0	6	7.5	pF
COUT	Output Capacitance	VOUT=0	8.5	12	pF
CIN2	Control Pin Capacitance	VIN=0	7.5	9	pF

Notes:

1. Sampled, not 100% tested.
2. Test conditions TA=25°C, f=1.0MHz

DATA RETENTION

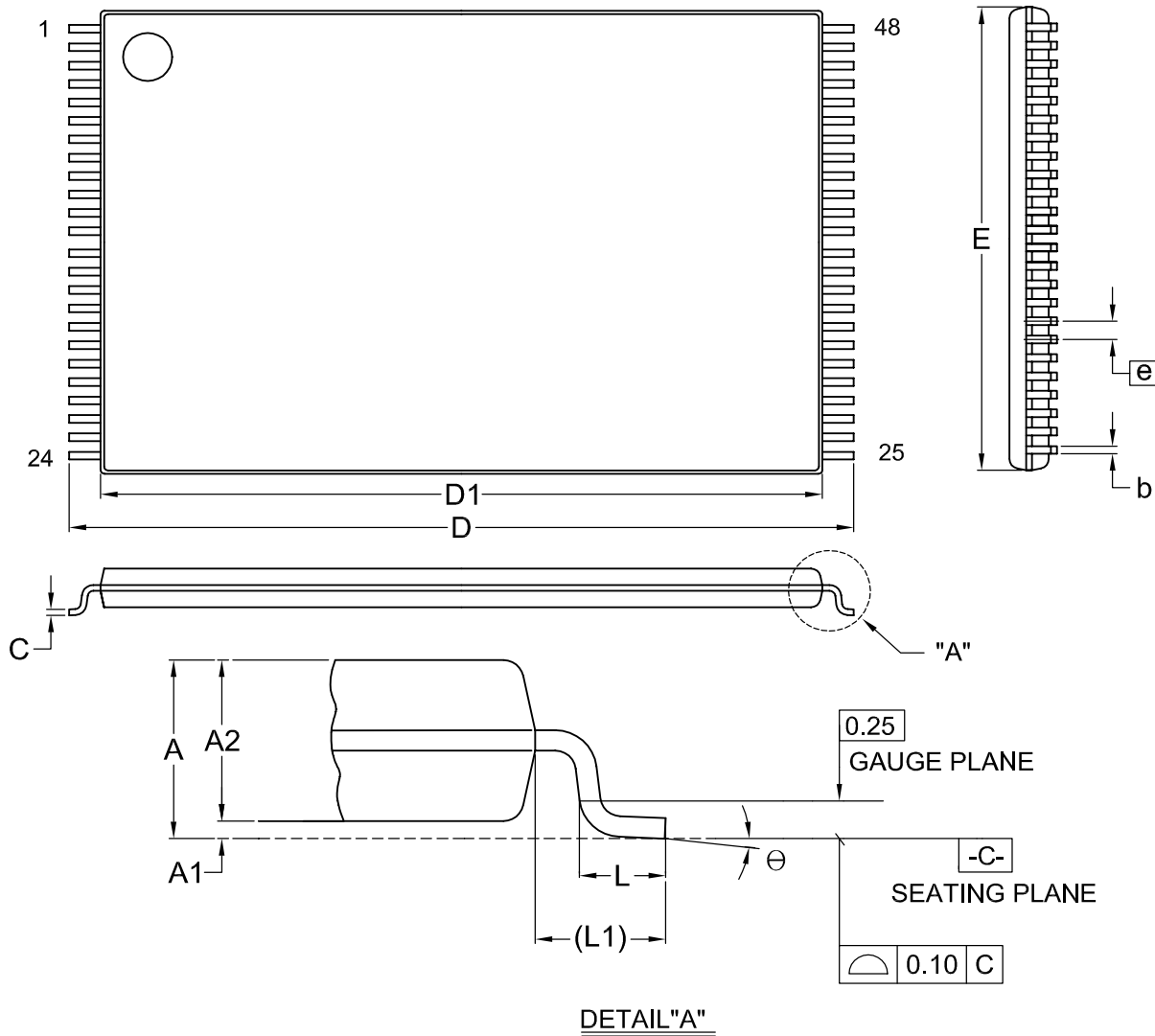
Parameter	Test Conditions	Min	Unit
Minimum Pattern Data Retention Time	150	10	Years
	125	20	Years

ORDERING INFORMATION**PLASTIC PACKAGE**

Part NO.	Access Time (ns)	Package type	Cycles
MX26L6419TC-10	100/25	48-TSOP	100

PACKAGE INFORMATION

Title: Package Outline for TSOP(I) 48L (12X20mm)NORMAL FORM



DETAIL "A"

Dimensions (inch dimensions are derived from the original mm dimensions)

SYMBOL		A	A1	A2	b	C	D	D1	E	e	L	L1	θ
mm	Min.	---	0.05	0.95	0.17	0.10	19.80	18.30	11.90		0.50	0.70	0
	Nom.	---	0.10	1.00	0.20	0.13	20.00	18.40	12.00	0.50	0.60	0.80	5
	Max.	1.20	0.15	1.05	0.27	0.21	20.20	18.50	12.10		0.70	0.90	8
Inch	Min.	---	0.002	0.037	0.007	0.004	0.780	0.720	0.469		0.020	0.028	0
	Nom.	---	0.004	0.039	0.008	0.005	0.787	0.724	0.472	0.020	0.024	0.031	5
	Max.	0.047	0.006	0.041	0.011	0.008	0.795	0.728	0.476		0.028	0.035	8

DWG.NO.	REVISION	REFERENCE			ISSUE DATE
		JEDEC	EIAJ		
6110-1607	6	MO-142			09-24-'02

REVISION HISTORY

Revision No.	Description	Page	Date
0.1	1. To modify Package Information	P44	NOV/20/2002
0.2	1. To remove deep power down mode: 1-1 power down mode:25uA(typ.) 1-2 tPHWL: 2us --> 210ns(min.) 2. To change VCC range: 2.7V to 3.6V --> 3.0 to 3.6V 3. To remove word mode read current 4. Revise the VPENLK spec from 2.2V(max.) to 0.5 x VCC(max.) 5. tWHQV6: 0.7s(max.)-->2s(max.) 6. To remove the DC Characteristics note "All currents are in RMS unless otherwise noted" 7. To remove program/erase suspend/resume function - CFI code of Address 36: 0A-->C8 - CFI code of Address 3A: 01-->00 8. Typing error	P1,2,5,6,10 P34,6 P39 P1,13,20,33, 35,36,37,42 P34 P35 P39 P35 P1,7,8,18,19,20,22 26,28,29,34,35,39,40 P15 P15 P1,4,9,12,13,17,21,22 23~25, 37,38	JUN/03/2003
0.3	1. Change write to buffer flowchart to align industry spec 2. Added Figure 5. status register flowchart 3. To relax the maximum program time spec from 654us (write buffer program) to 900us and from 630us(byte program time) to 900us 4. Latch-up: a. Input max. voltage with respect to GND on \overline{OE} from 13.5V to 12.5V b. Input max. voltage with respect to GND on power, address, \overline{CE} , \overline{WE} from 13.5V to 2xVCC max. c. test condition from VCC=5.0V to VCC=3V Capacitance: a. CIN from 8pF(max.) to 7.5pF(max.) b. COUT from 8pF(typ) to 8.5pF(typ) c. Add CIN2	P25 P26 P41 P41	OCT/08/2003

MACRONIX INTERNATIONAL Co., LTD.

HEADQUARTERS:

TEL:+886-3-578-6688

FAX:+886-3-563-2888

EUROPE OFFICE:

TEL:+32-2-456-8020

FAX:+32-2-456-8021

JAPAN OFFICE:

TEL:+81-44-246-9100

FAX:+81-44-246-9105

SINGAPORE OFFICE:

TEL:+65-348-8385

FAX:+65-348-8096

TAIPEI OFFICE:

TEL:+886-2-2509-3300

FAX:+886-2-2509-2200

MACRONIX AMERICA, INC.

TEL:+1-408-453-8088

FAX:+1-408-453-8488

CHICAGO OFFICE:

TEL:+1-847-963-1900

FAX:+1-847-963-1909

[http : //www.macronix.com](http://www.macronix.com)