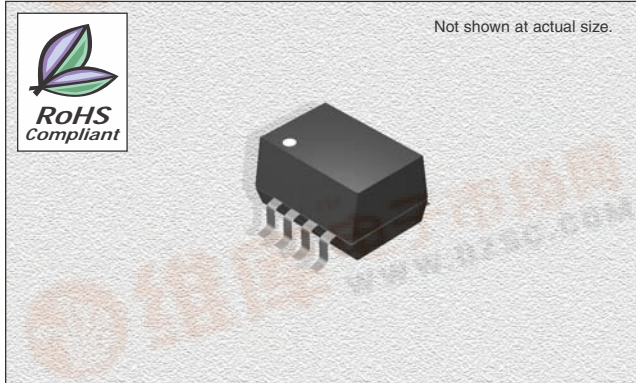


查询"CTDD1207MF-0503S-1"供应商

## CTDD1207MF-S Series

Fixed Input Isolated & Unregulated  
1W Output, Single Output



### FEATURES

- Efficiency:** To 83%
- Temperature Range:** -40°C to 85°C
- Isolation:** 1KVDC
- Package:** UL94-V0
- Miscellaneous:** Single Output Voltage. No heatsink required. High Power Density. No external components required. Industry standard pinout. Small footprint. Custom service available.
- Samples available.**

### CHARACTERISTICS

- Short Circuit Protection:** 1 second
- Temperature Rise at Full Load:** 25°C Max. 15°C Typ.
- Cooling:** Free air convection
- Operating Temperature Range:** -40°C to +85°C
- Storage Temperature Range:** -55°C to +125°C
- Lead Temperature:** 300°C
- Storage Humidity Range:** ≤ 95%
- Case Material:** Plastic (UL94-V0)
- MTBF:** >1,000,000 hours
- Miscellaneous:** RoHS Compliant.

### SPECIFICATIONS

Part Number	Vin Nom.	Input Range	Vout	Iout Max. (mA)	Iout Min. (mA)	Effi(Typ.)
CTDD1207MF-0303S-1	3.3VDC	3.0-3.6	3.3VDC	300	30	70%
CTDD1207MF-0305S-1	3.3VDC	3.0-3.6	5VDC	200	20	71%
CTDD1207MF-0503S-1	5VDC	4.5-5.5VDC	3.3VDC	300	30	70%
CTDD1207MF-0505S-1	5VDC	4.5-5.5VDC	5VDC	200	20	71%
CTDD1207MF-0509S-1	5VDC	4.5-5.5VDC	9VDC	111	23	75%
CTDD1207MF-0512S-1	5VDC	4.5-5.5VDC	12VDC	84	17	77%
CTDD1207MF-0515S-1	5VDC	4.5-5.5VDC	15VDC	67	13	78%
CTDD1207MF-1203S-1	12VDC	10.8-13.2VDC	3.3VDC	300	30	75%
CTDD1207MF-1205S-1	12VDC	10.8-13.2VDC	5VDC	200	20	67%
CTDD1207MF-1209S-1	12VDC	10.8-13.2VDC	9VDC	111	23	73%
CTDD1207MF-1212S-1	12VDC	10.8-13.2VDC	12VDC	84	17	74%
CTDD1207MF-1215S-1	12VDC	10.8-13.2VDC	15VDC	67	13	75%
CTDD1207MF-2412S-1	24VDC	21.6-26.4VDC	12VDC	84	8	83%

### ISOLATION SPECIFICATIONS

Item	Test Condition	MIN	TYP	MAX	Units
Isolation Voltage	Tested for 1 minute	1000			VDC
Isolation Resistance	Test at 500VDC	1000			MΩ

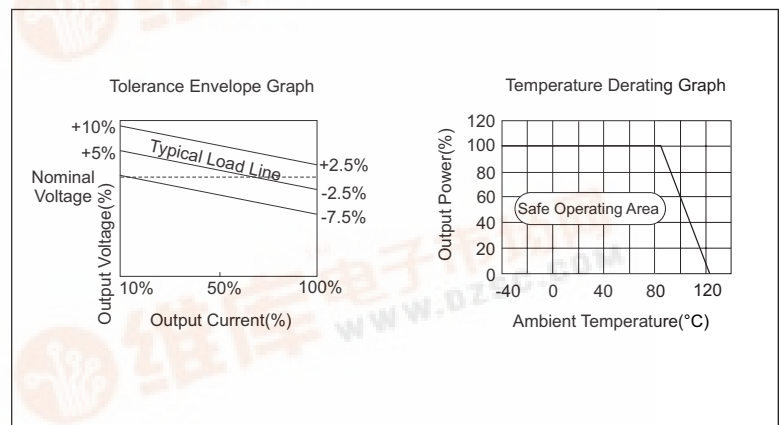
### OUTPUT SPECIFICATIONS

Item	Test Condition	MIN	TYP	MAX	Units
Output Power		0.1		1	W
Line regulation	For Vin change of 1%			1.2	%
Load regulation	10% to 100% load (5V output)		12.8	15	%
	10% to 100% load (9V output)		8.3	9.0	%
	10% to 100% load (12V output)		6.8	7.5	%
	10% to 100% load (15V output)		6.3	7.0	%
Output voltage accuracy	See tolerance envelope graph				
Temperature drift	100% full load			0.03	%/°C
Output ripple	20MHz Bandwidth		75	150	mVp-p
Switching frequency	Full load, nominal input	80	100	200	KHz

Note:

- All specifications measured at TA=25°C, humidity<75%, nominal input voltage and rated output load unless otherwise specified.

### TYPICAL CHARACTERISTICS



03.17.06

Manufacturer of Inductors, Chokes, Coils, Beads, Transformers & Toroids

800-684-5322 Inside US 949-453-1811 Outside US

Copyright © 2006 by CT Magnetics, DBA Central Technologies. All rights reserved.

CT Magnetics reserves the right to make improvements or change specifications without notice

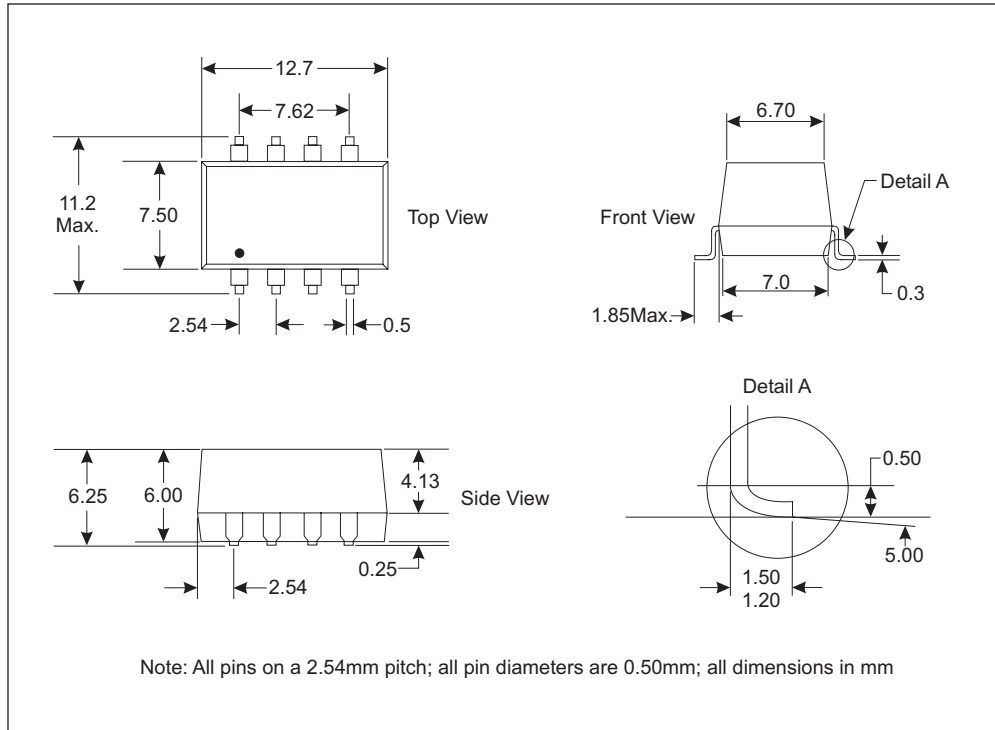


[查询"CTDD1207MF-0503S-1"供应商](#)

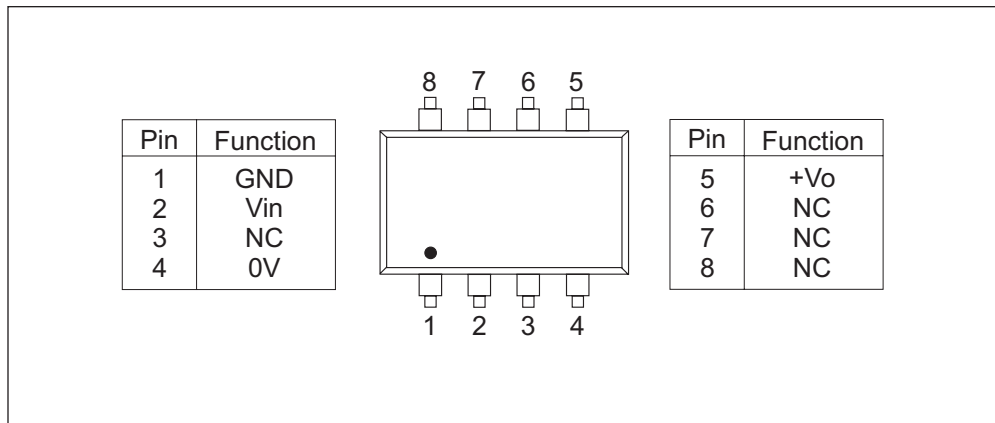
## CTDD1207MF-S Series

Fixed Input Isolated & Unregulated  
1W Output, Single Output

### OUTLINE DIMENSIONS & RECOMMENDED FOOTPRINT DETAILS



### PIN CONNECTIONS



03.17.06