

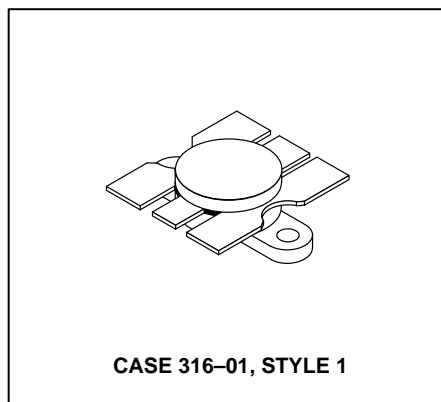
[查询"MRF644"供应商](#)

The RF Line

# NPN Silicon RF Power Transistor

... designed for 12.5 Volt UHF large-signal amplifier applications in industrial and commercial FM equipment operating to 512 MHz.

- Specified 12.5 Volt, 470 MHz Characteristics —  
Output Power = 25 Watts  
Minimum Gain = 6.2 dB  
Efficiency = 60%
- Characterized with Series Equivalent Large-Signal Impedance Parameters
- Built-In Matching Network for Broadband Operation
- Tested for Load Mismatch Stress at all Phase Angles with 20:1 VSWR @ 16-Volt High Line and 50% Overdrive
- Circuit board photomaster available upon request by contacting RF Tactical Marketing in Phoenix, AZ.



## MAXIMUM RATINGS

Rating	Symbol	Value	Unit
Collector-Emitter Voltage	$V_{CEO}$	16	Vdc
Collector-Base Voltage	$V_{CBO}$	36	Vdc
Emitter-Base Voltage	$V_{EBO}$	4.0	Vdc
Collector Current — Continuous	$I_C$	4.0	Adc
Total Device Dissipation @ $T_C = 25^\circ\text{C}$ Derate above $25^\circ\text{C}$	$P_D$	103 0.59	Watts W/ $^\circ\text{C}$
Storage Temperature Range	$T_{stg}$	-65 to +150	$^\circ\text{C}$

## THERMAL CHARACTERISTICS

Characteristic	Symbol	Max	Unit
Thermal Resistance, Junction to Case	$R_{\theta JC}$	1.7	$^\circ\text{C}/\text{W}$

## ELECTRICAL CHARACTERISTICS ( $T_C = 25^\circ\text{C}$ unless otherwise noted.)

Characteristic	Symbol	Min	Typ	Max	Unit
----------------	--------	-----	-----	-----	------

## OFF CHARACTERISTICS

Collector-Emitter Breakdown Voltage ( $I_C = 20 \text{ mAdc}$ , $I_B = 0$ )	$V_{(BR)CEO}$	16	—	—	Vdc
Collector-Emitter Breakdown Voltage ( $I_C = 20 \text{ mAdc}$ , $V_{BE} = 0$ )	$V_{(BR)CES}$	36	—	—	Vdc
Emitter-Base Breakdown Voltage ( $I_E = 5.0 \text{ mAdc}$ , $I_C = 0$ )	$V_{(BR)EBO}$	4.0	—	—	Vdc
Collector Cutoff Current ( $V_{CE} = 15 \text{ Vdc}$ , $V_{BE} = 0$ , $T_C = 25^\circ\text{C}$ )	$I_{CES}$	—	—	5.0	mAdc

(continued)

**ELECTRICAL CHARACTERISTICS — continued** ( $T_C = 25^\circ\text{C}$  unless otherwise noted.)

Characteristic	Symbol	Min	Typ	Max	Unit
<b>ON CHARACTERISTICS</b>					
DC Current Gain ( $I_C = 4.0 \text{ Adc}$ , $V_{CE} = 5.0 \text{ Vdc}$ )	$h_{FE}$	40	70	100	—

**DYNAMIC CHARACTERISTICS**

Output Capacitance ( $V_{CB} = 12.5 \text{ Vdc}$ , $I_E = 0$ , $f = 1.0 \text{ MHz}$ )	$C_{ob}$	—	60	85	pF
---	----------	---	----	----	----

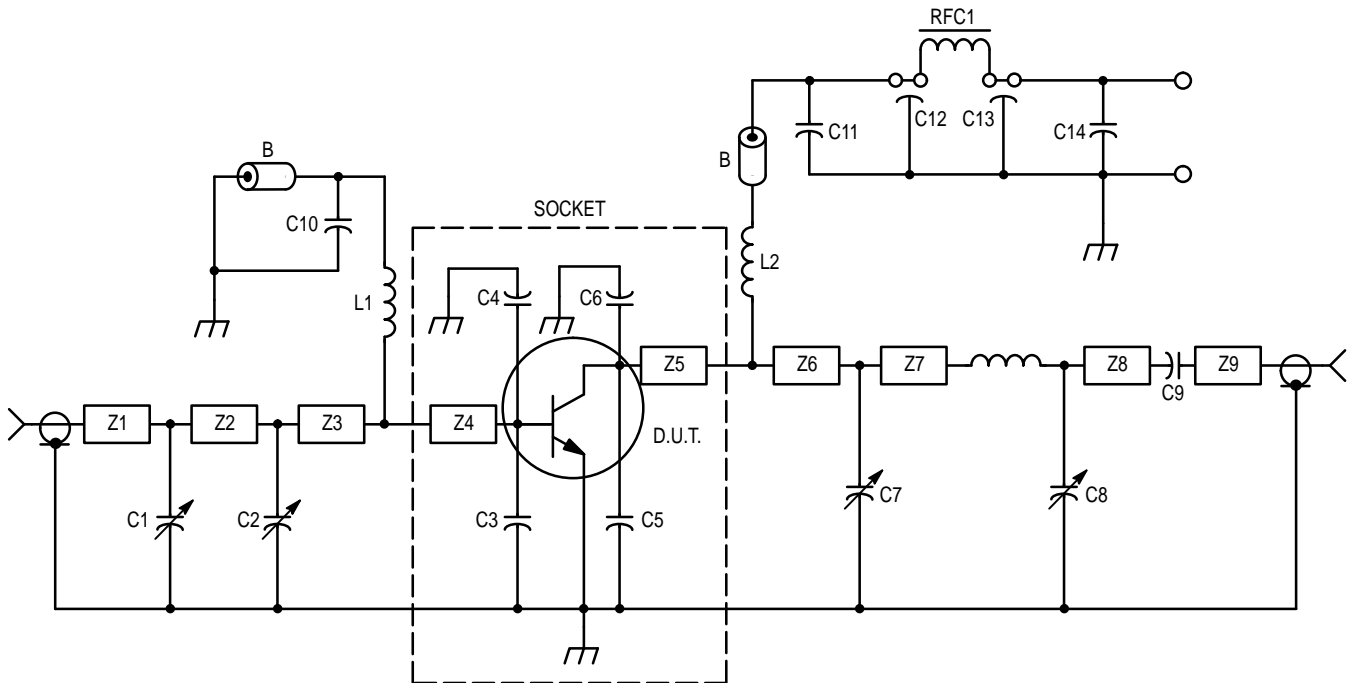
**FUNCTIONAL TESTS**

Common-Emitter Amplifier Power Gain ( $V_{CC} = 12.5 \text{ Vdc}$ , $P_{out} = 25 \text{ W}$ , $I_C (\text{MAX}) = 3.6 \text{ Adc}$ , $f = 470 \text{ MHz}$ )	$G_{pe}$	6.2	7.0	—	dB
Input Power ( $V_{CC} = 12.5 \text{ Vdc}$ , $P_{out} = 25 \text{ W}$ , $f = 470 \text{ MHz}$ )	$P_{in}$	—	5.0	6.0	Watts
Collector Efficiency ( $V_{CC} = 12.5 \text{ Vdc}$ , $P_{out} = 25 \text{ W}$ , $I_C (\text{MAX}) = 3.6 \text{ Adc}$ , $f = 470 \text{ MHz}$ )	$\eta$	55	60	—	%
Output Mismatch Stress ( $V_{CC} = 16 \text{ Vdc}$ , $P_{in} = \text{Note 1}$ , $f = 470 \text{ MHz}$ , $V_{SWR} = 20:1$ , All Phase Angles)	$\psi^*$	No Degradation in Output Power			
Series Equivalent Input Impedance ( $V_{CC} = 12.5 \text{ Vdc}$ , $P_{out} = 25 \text{ W}$ , $f = 470 \text{ MHz}$ )	$Z_{in}$	—	$1.2 + j3.3$	—	Ohms
Series Equivalent Output Impedance ( $V_{CC} = 12.5 \text{ Vdc}$ , $P_{out} = 25 \text{ W}$ , $f = 470 \text{ MHz}$ )	$Z_{OL}$	—	$1.9 + j2.1$	—	Ohms

**NOTE:**

1.  $P_{in} = 150\%$  of Drive Requirement for 25 W Output at 12.5 Vdc.

\*  $\psi$  = Mismatch stress factor — the electrical criterion established to verify the device resistance to load mismatch failure. The mismatch stress test is accomplished in the standard test fixture (Figure 1) terminated in a 20:1 minimum load mismatch at all phase angles.



C1, C2, C7, C8 — 1.0–20 pF Johanson Variable  
 C3 — 27 pF 100 mil ATC  
 C4 — 30 pF 100 mil ATC  
 C5, C6 — 33 pF 100 mil ATC  
 C9 — 250 pF 100 mil ATC  
 C10 — 100 pF UNELCO  
 C11, C14 — 1.0  $\mu\text{F}$  35 V TANTALUM

C12, C13 — 680 pF Feedthrough  
 L1 — 5" #22 AWG 0.100" ID  
 L2 — 5" #20 AWG 0.187" ID  
 RFC1 — Ferroxcube VK200–20–4B  
 B — Ferroxcube Bead 56–590–65–3B  
 Z1 — 0.25" x 0.20" Microstrip  
 Z2 — 1.63" x 0.20" Microstrip

Z3 — 0.20" x 0.20" Microstrip  
 Z4, Z5 — 1/2" #18 AWG bent in a "V" shape 1/8" Wide  
 Z6 — 0.20" x 0.20" Microstrip  
 Z7 — 0.70" x 0.20" Microstrip  
 Z8 — 0.33" x 0.20" Microstrip  
 Z9 — 0.50" x 0.20" Microstrip  
 Board — 62.5 mil Glass Teflon,  $\epsilon_r = 2.55$

**Figure 1. Test Circuit Schematic**

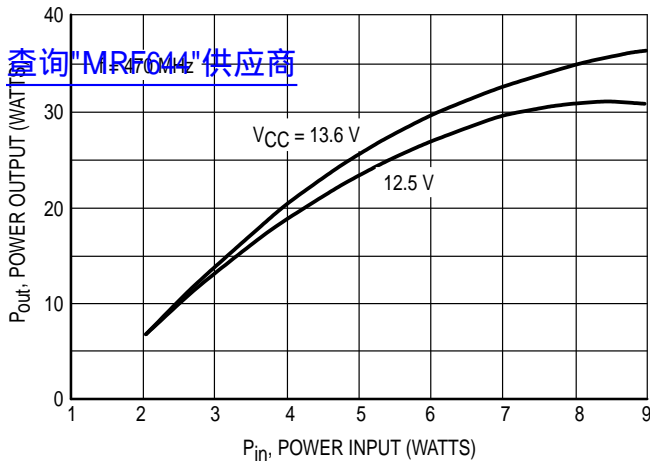


Figure 2. Power Output versus Power Input

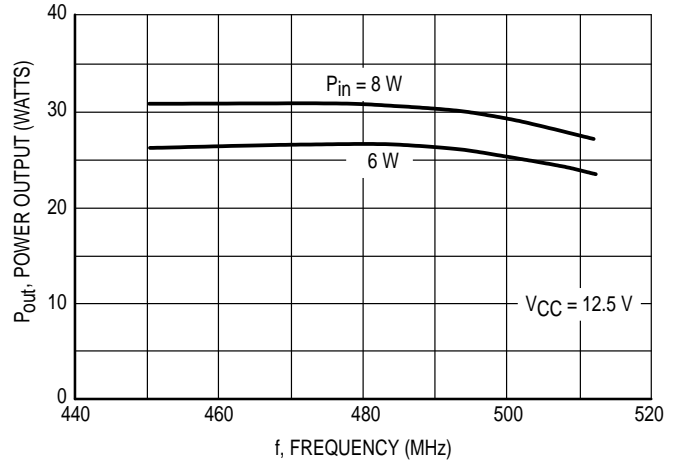


Figure 3. Power Output versus Frequency

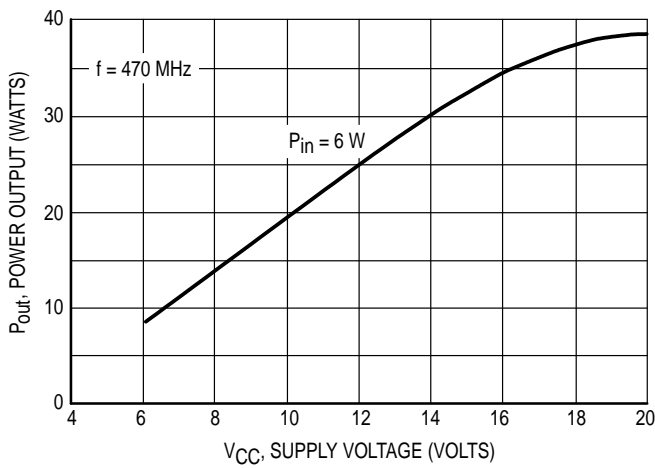


Figure 4. Power Output versus Supply Voltage

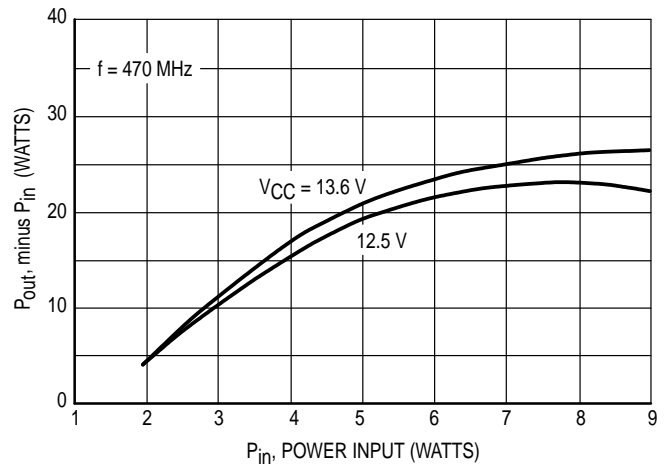


Figure 5. Power Saturation Profile

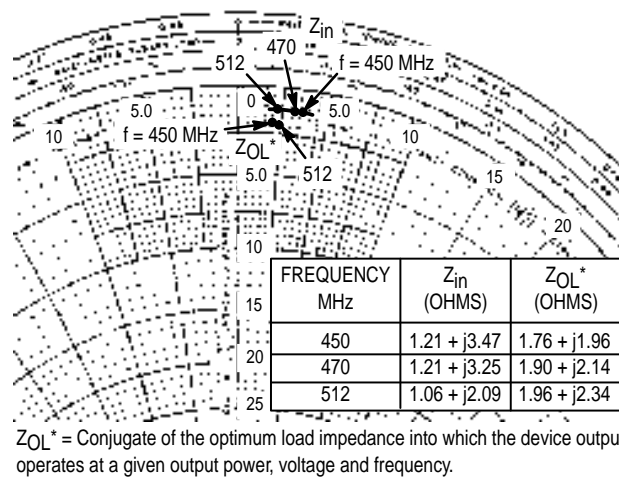
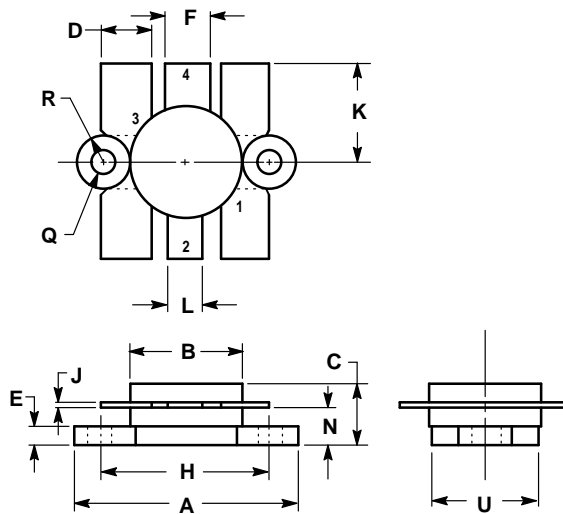


Figure 6. Series Equivalent Input-Output Impedance

## PACKAGE DIMENSIONS

查询"MRF644"供应商



NOTES:


1. FLANGE IS ISOLATED IN ALL STYLES.

DIM	INCHES		MILLIMETERS	
	MIN	MAX	MIN	MAX
A	24.38	25.14	0.960	0.990
B	12.45	12.95	0.490	0.510
C	5.97	7.62	0.235	0.300
D	5.33	5.58	0.210	0.220
E	2.16	3.04	0.085	0.120
F	5.08	5.33	0.200	0.210
H	18.29	18.54	0.720	0.730
J	0.10	0.15	0.004	0.006
K	10.29	11.17	0.405	0.440
L	3.81	4.06	0.150	0.160
N	3.81	4.31	0.150	0.170
Q	2.92	3.30	0.115	0.130
R	3.05	3.30	0.120	0.130
U	11.94	12.57	0.470	0.495

STYLE 1:

- PIN 1. EMITTER
- 2. COLLECTOR
- 3. EMITTER
- 4. BASE

**CASE 316-01  
ISSUE D**

Motorola reserves the right to make changes without further notice to any products herein. Motorola makes no warranty, representation or guarantee regarding the suitability of its products for any particular purpose, nor does Motorola assume any liability arising out of the application or use of any product or circuit, and specifically disclaims any and all liability, including without limitation consequential or incidental damages. "Typical" parameters can and do vary in different applications. All operating parameters, including "Typicals" must be validated for each customer application by customer's technical experts. Motorola does not convey any license under its patent rights nor the rights of others. Motorola products are not designed, intended, or authorized for use as components in systems intended for surgical implant into the body, or other applications intended to support or sustain life, or for any other application in which the failure of the Motorola product could create a situation where personal injury or death may occur. Should Buyer purchase or use Motorola products for any such unintended or unauthorized application, Buyer shall indemnify and hold Motorola and its officers, employees, subsidiaries, affiliates, and distributors harmless against all claims, costs, damages, and expenses, and reasonable attorney fees arising out of, directly or indirectly, any claim of personal injury or death associated with such unintended or unauthorized use, even if such claim alleges that Motorola was negligent regarding the design or manufacture of the part. Motorola and  are registered trademarks of Motorola, Inc. Motorola, Inc. is an Equal Opportunity/Affirmative Action Employer.

**Literature Distribution Centers:**

USA: Motorola Literature Distribution; P.O. Box 20912; Phoenix, Arizona 85036.

EUROPE: Motorola Ltd.; European Literature Centre; 88 Tanners Drive, Blakelands, Milton Keynes, MK14 5BP, England.

JAPAN: Nippon Motorola Ltd.; 4-32-1, Nishi-Gotanda, Shinagawa-ku, Tokyo 141, Japan.

ASIA PACIFIC: Motorola Semiconductors H.K. Ltd.; Silicon Harbour Center, No. 2 Dai King Street, Tai Po Industrial Estate, Tai Po, N.T., Hong Kong.



MRF644/D

