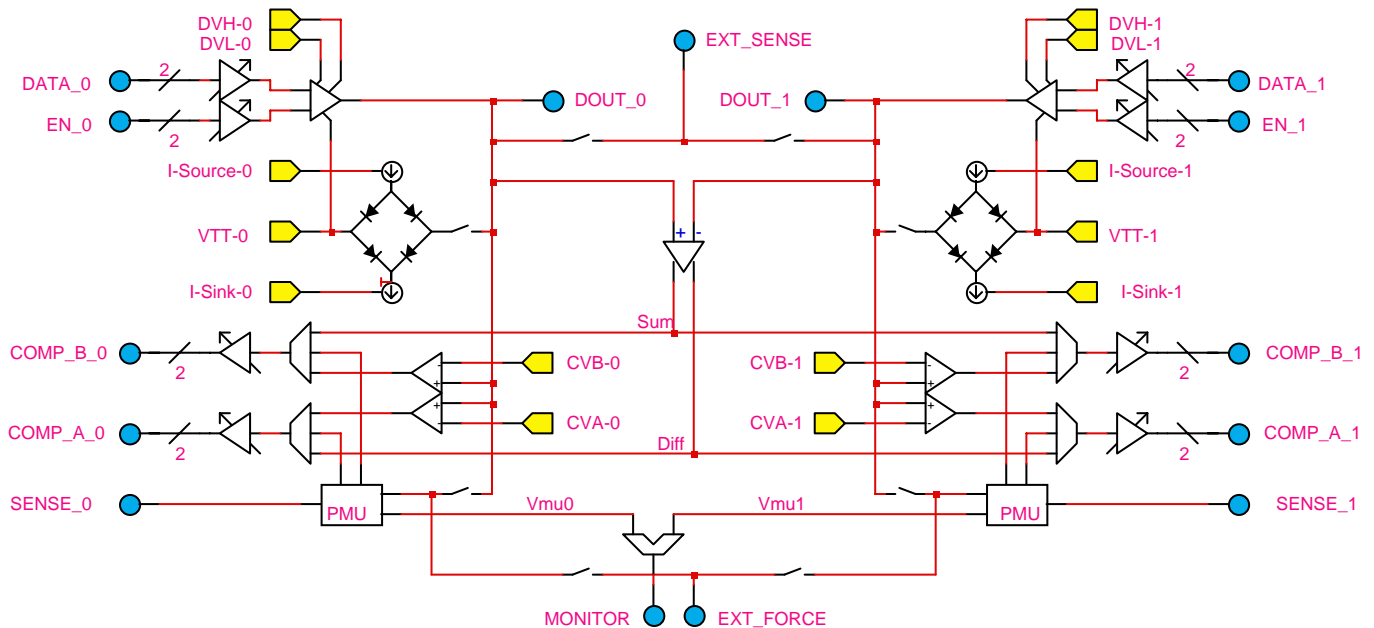


[Get Full Datasheet](#)

**SOC Dual Channel 400 MHz  
L/D/C + DAC + PMU**



**Venus, Venus Plus, Venus 2 and Venus 3 Compatible  
400 MHz Fmax / 1.25 ns Minimum Pulse Width**

**Driver**

- 3 Level Driver (DVH / DVL / VTT)
- 8V Driver Output Swings
- Extremely Low HiZ Leakage over 16V Range
- Differential Driver

**Comparator**

- 16V Input Compliance Range
- Extremely Low HiZ Leakage over 16V Range
- Independent Power Down Option
- Differential Comparator

**Load**

- 24 mA I<sub>max</sub>
- 16V Input Compliance Range
- Extremely Low HiZ Leakage over 16V Range
- Independent Power Down Option

**PMU**

- FV, FI, MV, MI
- FI Voltage Clamps
- 8 Current Ranges  
(32 mA, 8 mA, 2 mA, 512 μA, 128 μA, 32 μA, 8 μA, 2 μA)
- Resistive Load (8 selectable resistor values)
- Independent Power Down Option
- Remote Sense Option

**3 Bit Serial CPU Port**

**Deskew**

- Propagation Delay Adjustment
- Falling Edge Adjustment

**On Chip DC Levels**

- 13 Levels / Channel
- Gain and Offset Correction / Level
- DUT Ground Sensing and Correction
- Voltage Range Adjustable over a 2V Span

**Flexible High Speed Digital Inputs and Outputs**

- Selectable On Chip Terminations for Inputs
- 50-Ohm Series Terminations for Comparator Outputs

**Package**

- 2 Lead Free Options
- 64 Lead, 10mm X 10mm, TQFP w/ Top Exp Heat Slug
- 64 Lead, 9 mm X 9 mm, MLF w/ Top Exp Heat Slug

**Power**

- Pd<sub>q</sub> = 650 mW / Channel @ 16V Operation
- Pd<sub>q</sub> = 500 mW / Channel @ 11V Operation
- Continuous Thermal Monitor
- Over Temperature Alarm

Data Sheet Status	Revision Date
Engineering Sample	08 / 29 / 2008