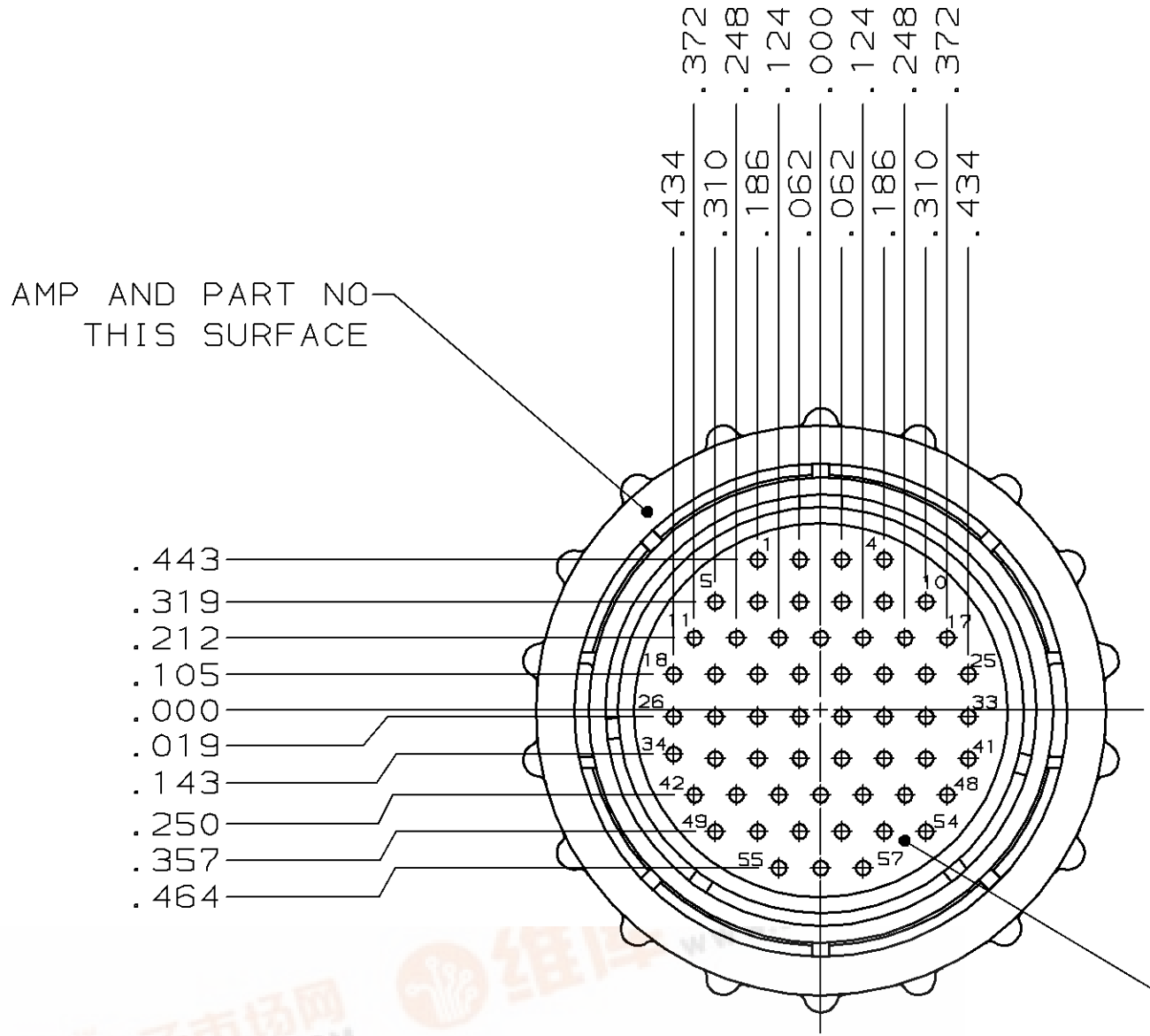


THIS DRAWING IS UNPUBLISHED. RELEASED FOR PUBLICATION
 19 BY AMP INCORPORATED. ALL INTERNATIONAL RIGHTS RESERVED.

LOC	DIST	P	F	ZONE	LTR	DESCRIPTION	DATE	APPD
FT	4				D	REDRAWN	4/2/91	-
					E	REV PER EC 0020-568-95	20 JUL 95	AF
					F	REV PER EC 0320-7-97	16 JAN 97	KD
					G	ADDED -2 PER EC 0G1C-32-98	24 MAR 98	RW

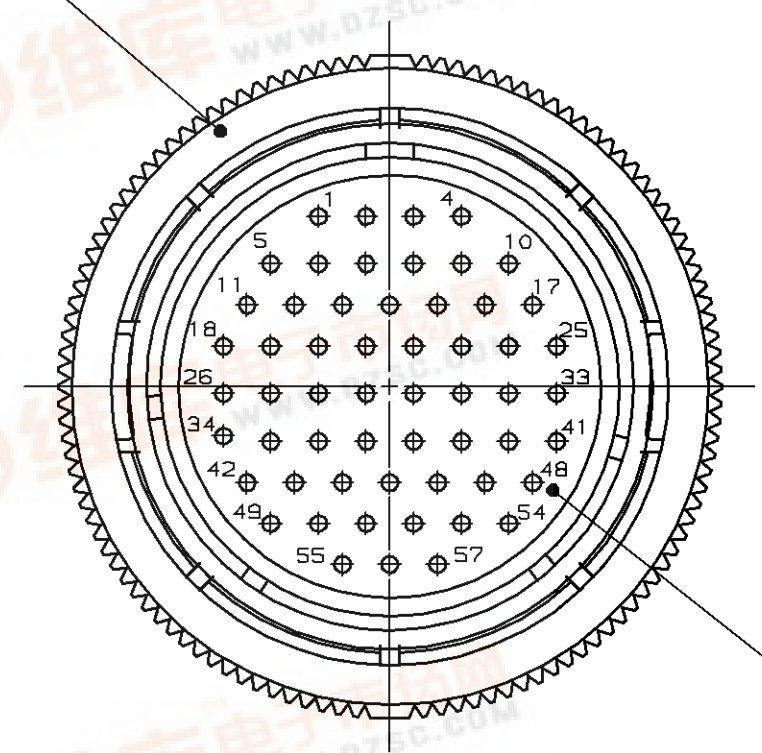


AMP AND PART NO THIS SURFACE

- .443
- .319
- .212
- .105
- .000
- .019
- .143
- .250
- .357
- .464

MATING FACE

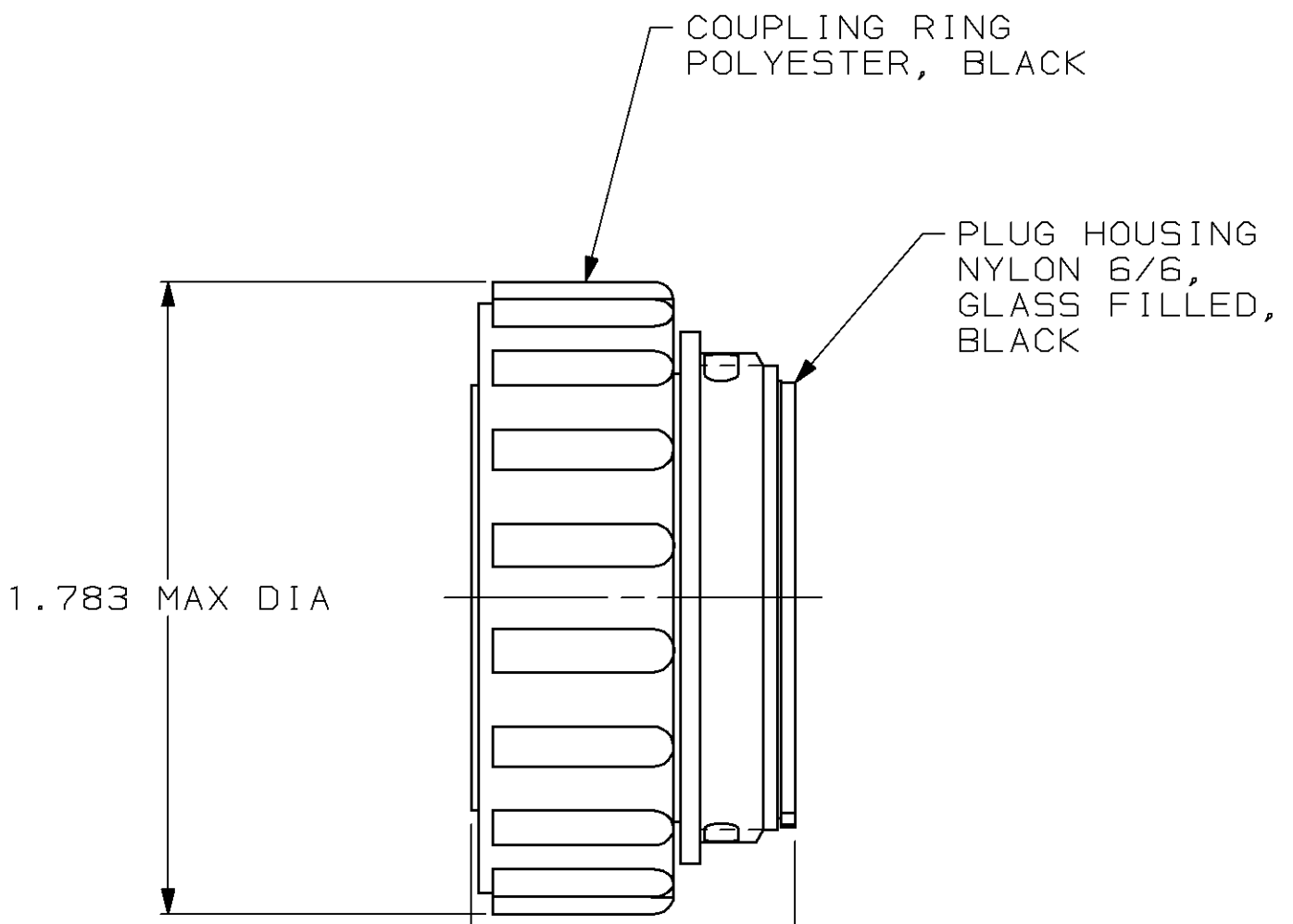
(-1 ONLY)



AMP AND PART NO THIS SURFACE

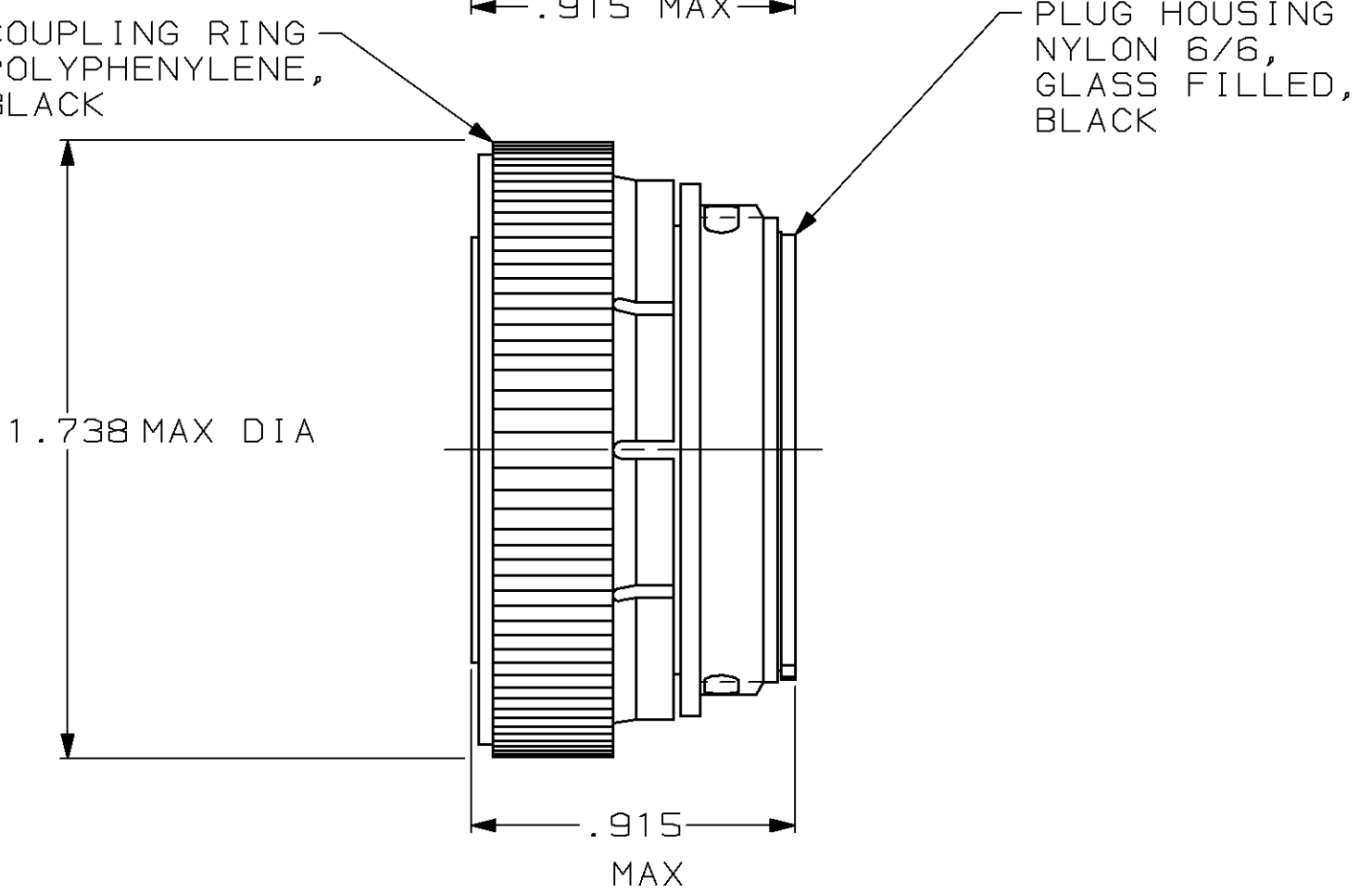
MATING FACE

(-2 ONLY)



COUPLING RING
POLYESTER, BLACK

PLUG HOUSING
NYLON 6/6,
GLASS FILLED,
BLACK



COUPLING RING
POLYPHENYLENE,
BLACK

PLUG HOUSING
NYLON 6/6,
GLASS FILLED,
BLACK

206437-2
206437-1
PART NUMBER

1. CONTACT CAVITIES IDENTIFIED BY CHARACTERS ON FRONT AND REAR FACES OF CONNECTOR.
2. WILL ACCEPT (57) SIZE 20 PIN CONTACTS.

DO NOT SCALE PRINT. UNLESS SPECIFIED DIMENSIONS IN INCHES TOLERANCES ON : 2 PLC DEC ± - 3 PLC DEC ± .005 ANGLES ± -	DR 4/2/91 A.STAUB BG	AMP Incorporated Harrisburg, PA 17105-3608		
	CHK 7-23-92 W.G.LENKER			
MATERIAL SEE CALLOUT	APPD 7-23-92 K.BEAVER	NAME PLUG ASSEMBLY, REV SEX, SERIES 2, 23-57, CPC		
	APPD 7-23-92 C.ROHDE	PRODUCT SPEC 108-10024		
FINISH -	APPLICATION SPEC -	SIZE C	CAGE CODE 00779	DRAWING NO 206437
	WEIGHT -	SCALE 2:1	SHEET 1 OF 1	