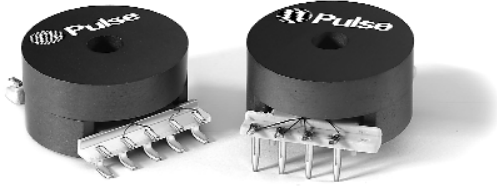


ADSL AND RADSL TRANSFORMERS

查询"B2008"供应商

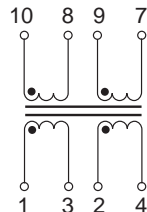
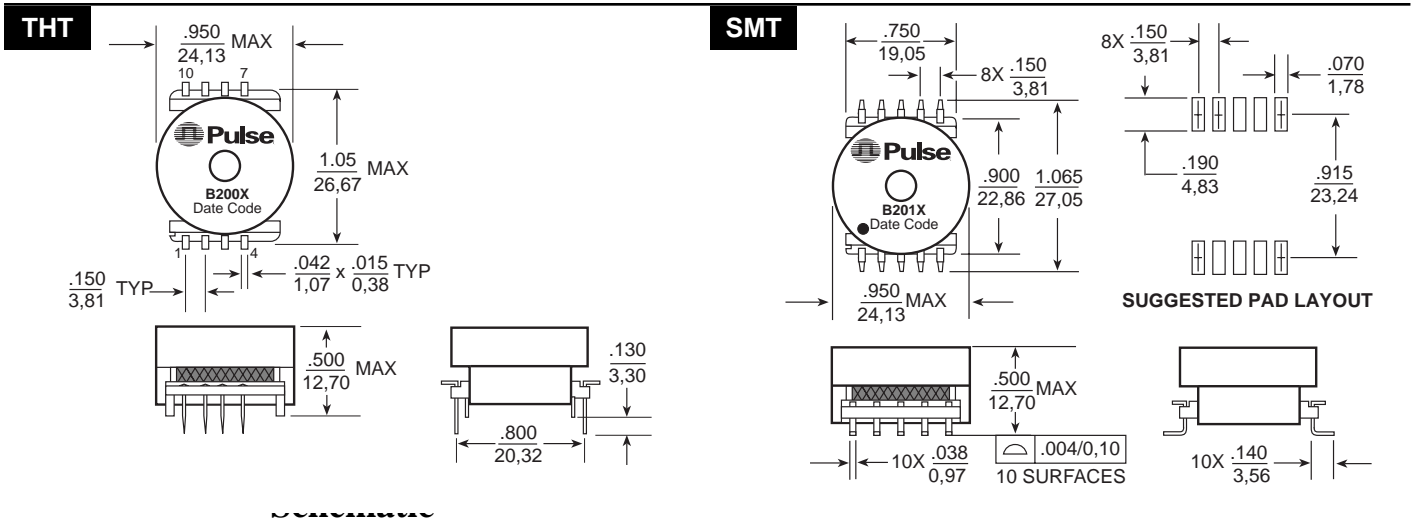


- ➊ Designs exceed standards for ANSI and ETSI
- ➋ UL 1950 and BABT certified
- ➌ Excellent THD performance
- ➍ Maximum height: .500" (12,70 mm)
- ➎ Matched to Globespan ADSL chip set
- ➏ Isolation voltage: up to 3000 Vrms

Electrical Specifications @ 25°C — Operating Temperature -40°C to 85°C

Part Number	Turns Ratio Chip-Line (±2%)	OCL Primary (1-4) with 2-3 shorted (µH ±10%)	Leakage Inductance (µH MAX)	DC Resistance @ (1-3),(2-4),(10-8),(9-7) (Ω MAX)	Isolation Voltage (Vrms)	Insertion Loss (db MAX)	Longitudinal Balance (db TYP)	Mounting
B2002	1.4:1.4:1:1	940	10	1.2	1500	3	62	THT
B2006	1:1:1:1	410	10	0.8	1500	3	62	THT
B2007	1.4:1.4:1:1	940	10	1.2	3000	3	62	THT
B2008	1:1:1:1	410	10	0.8	3000	3	62	THT
B2011	1.4:1.4:1:1	940	10	1.2	3000	3	62	SMT
B2012	1:1:1:1	410	10	0.8	3000	3	62	SMT

Mechanicals



Weight 14.0 grams
Tray45/tray

Dimensions: Inches
mm
Unless otherwise specified, all tolerances are ± .010 / 0,25

For More Information :

Corporate
12220 World Trade Drive
San Diego, CA 92128
Tel: 619 674 8100
FAX: 619 674 8262
http://www.pulseeng.com
Quick-Facts: 619 674 9672

Europe
1 & 2 Huxley Road
The Surrey Research Park
Guildford, Surrey GU2 5RE
United Kingdom
Tel: 44 1483 401700
FAX: 44 1483 401701

Asia
150 Kampong Ampat
#07-01/02
KA Centre
Singapore 368324
Tel: 65 287 8998
FAX: 65 280 0080

Distributor

Performance warranty of products offered on this data sheet is limited to the parameters specified. Data is subject to change without notice. Other brand and product names mentioned herein may be trademarks or registered trademarks of their respective owners.