

查询"CTGS75-180K"供应商

## CTGS75 Series

### From 1.0 $\mu$ H to 820 $\mu$ H

ENGINEERING KIT #7



### CHARACTERISTICS

**Description:** SMD power inductor

**Applications:** VTR power supplies, OA equipment, LCD televisions, PC notebooks, portable communication equipment, DC/DC converters

**Operating Temperature:** -30°C to +100°C

**Inductance Tolerance:**  $\pm 10\%$ ,  $\pm 20\%$

**Testing:** Inductance is tested on an HP4284A or HP4285A at specified frequency

**Packaging:** Tape & Reel

**Marking:** Marked with inductance code

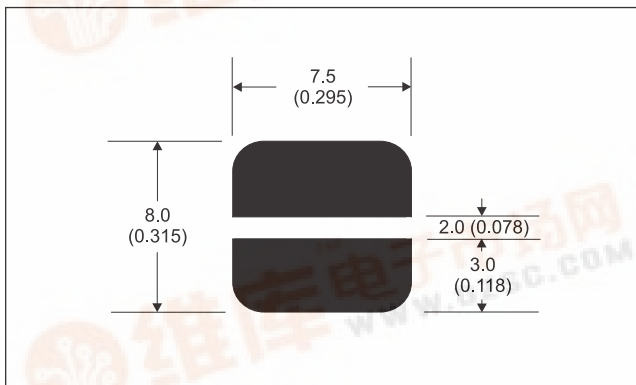
**Rated DC:** The value of current when the inductance is 10% lower than its initial value at 0 Adc or D.C. current when at  $\Delta T = 40^\circ\text{C}$  whichever is lower

**Miscellaneous:** RoHS Compliant available.

**Additional Information:** Additional electrical & physical information available upon request

**Samples available. See website for ordering information.**

### PAD LAYOUT



### SPECIFICATIONS

Parts are marked to indicate tolerance available.

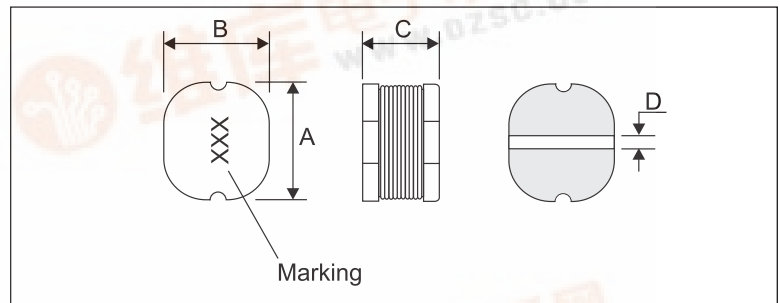
K =  $\pm 10\%$ , M =  $\pm 20\%$

CTGS75E Please specify "F" for RoHS compliant

Part Number	Inductance ( $\mu$ H)	L Test Freq. (Hz)	DCR Max. ( $\Omega$ )	Rated DC (A)
CTGS75_-1R0M	1.0	25.2M	.02	3.7
CTGS75_-1R4M	1.4	7.96M	.02	3.7
CTGS75_-1R8M	1.8	7.96M	.02	3.7
CTGS75_-2R3M	2.3	7.96M	.02	3.7
CTGS75_-2R7M	2.7	7.96M	.02	3.7
CTGS75_-3R3M	3.3	7.96M	.03	3.7
CTGS75_-3R9M	3.9	7.96M	.03	3.7
CTGS75_-4R7M	4.7	7.96M	.04	3.5
CTGS75_-5R6M	5.6	7.96M	.04	3.3
CTGS75_-6R8M	6.8	7.96M	.04	3.1
CTGS75_-8R2M	8.2	7.96M	.05	2.7
CTGS75_-100K	10	2.52M	.07	2.3
CTGS75_-120K	12	2.52M	.08	2.0
CTGS75_-150K	15	2.52M	.09	1.8
CTGS75_-180K	18	2.52M	.10	1.6
CTGS75_-220K	22	2.52M	.11	1.5
CTGS75_-270K	27	2.52M	.12	1.3
CTGS75_-330K	33	2.52M	.13	1.2
CTGS75_-390K	39	2.52M	.16	1.1
CTGS75_-470K	47	2.52M	.18	1.1
CTGS75_-560K	56	2.52M	.24	.94
CTGS75_-680K	68	2.52M	.28	.84
CTGS75_-820K	82	2.52M	.37	.78
CTGS75_-101K	100	1.0k	.43	.72
CTGS75_-121K	120	1.0k	.47	.66
CTGS75_-151K	150	1.0k	.64	.58
CTGS75_-181K	180	1.0k	.71	.51
CTGS75_-221K	220	1.0k	.96	.49
CTGS75_-271K	270	1.0k	1.1	.42
CTGS75_-331K	330	1.0k	1.2	.40
CTGS75_-391K	390	1.0k	1.8	.36
CTGS75_-471K	470	1.0k	1.9	.34
CTGS75_-561K	560	1.0k	2.0	.34
CTGS75_-681K	680	1.0k	2.2	.28
CTGS75_-821K	820	1.0k	2.9	.26

### PHYSICAL DIMENSIONS

Size	A	B	C	D
mm	7.8 $\pm$ 0.3	7.0 $\pm$ 0.3	5.0 $\pm$ 0.5	2.1
inches	0.31 $\pm$ 0.012	0.28 $\pm$ 0.012	0.20 $\pm$ 0.02	0.083



10.19.05

Manufacturer of Inductors, Chokes, Coils, Beads, Transformers & Toroids

800-684-5322 Inside US

949-453-1811 Outside US

Copyright © 2005 by CT Magnetics, DBA Central Technologies. All rights reserved.

CT Magnetics reserves the right to make improvements or change specifications without notice

