

## Features

- Lead free as standard (RoHS compliant\*)
- Protects 1 line or 1 I/O port
- Bidirectional configuration
- ESD protection >40 kV
- Low capacitance ~3 pF typical
- Replaces 0805 MLV devices

## Applications

- Cell phones
- PDAs and notebooks
- Digital cameras
- MP3 players and GPS
- USB interface

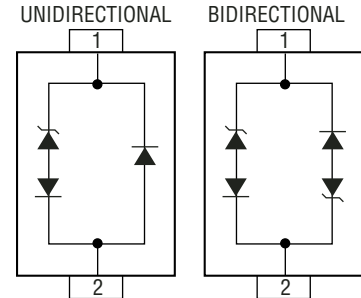
# CDSOD323-TxxC – TVS Diode Array Series

## General Information

The markets of portable communications, computing and video equipment are challenging the semiconductor industry to develop increasingly smaller electronic components.

Bourns offers Transient Voltage Suppressor Array diodes for surge and ESD protection applications, in SOD323 package size format. The Transient Voltage Suppressor Array series offers a choice of voltage types ranging from 3 V to 24 V in a unidirectional or bidirectional configuration. Bourns® Chip Diodes conform to JEDEC standards, are easy to handle on standard pick and place equipment and their flat configuration minimizes roll away.

The Bourns® device will meet IEC 61000-4-2 (ESD), IEC 61000-4-4 (EFT) and IEC 61000-4-5 (Surge) requirements.



## Electrical & Thermal Characteristics (@ T<sub>A</sub> = 25 °C Unless Otherwise Noted)

Parameter	Symbol	Value	Unit
Peak Pulse Power (t <sub>p</sub> = 8/20 μs)	P <sub>PP</sub>	350	W
Operating Temperature	T <sub>J</sub>	-55 °C to 150 °C	°C
Storage Temperature	T <sub>STG</sub>	-55 °C to 150 °C	°C

Parameter	Symbol	CDSOD323-								Unit
		Uni-T03	Bi-T03C	Uni-T05	Bi-T05C	Uni-T08	Bi-T08C	Uni-T12	Bi-T12C	
Min. Breakdown Voltage @ 1 mA	V <sub>BR</sub>	4.0	4.0	6.0	6.0	8.5	8.5	13.3	13.3	V
Working Peak Voltage	V <sub>WM</sub>	3.3	3.3	5.0	5.0	8.0	8.0	12.0	12.0	V
Maximum Clamping Voltage @ I <sub>p</sub> = 1 A	V <sub>F</sub>	7.0	7.0	9.8	9.8	13.4	13.4	19.0	19.0	V
Maximum Clamping Voltage @ 8/20 μs @ I <sub>pp</sub>	V <sub>C</sub>	19.0 V @ 20 A	19.0 V @ 20 A	18.3 V @ 17 A	18.3 V @ 17 A	18.5 V @ 17 A	18.5 V @ 17 A	28.3 V @ 11 A	28.3 V @ 11 A	V
Maximum Leakage Current @ V <sub>WM</sub>	I <sub>D</sub>	5	5	5	5	2	2	1	1	μA
Typical Capacitance @ 0 V, 1 MHz	C <sub>J</sub>	3								pF

Notes:

1. Part numbers with suffix "C" indicate bidirectional device, i.e. CDSOD323-T05C.
2. For bidirectional devices only, the electrical specifications apply in both directions.

# CDSOD323-TxxC – TVS Diode Array Series



## Electrical & Thermal Characteristics (@ T<sub>A</sub> = 25 °C Unless Otherwise Noted)

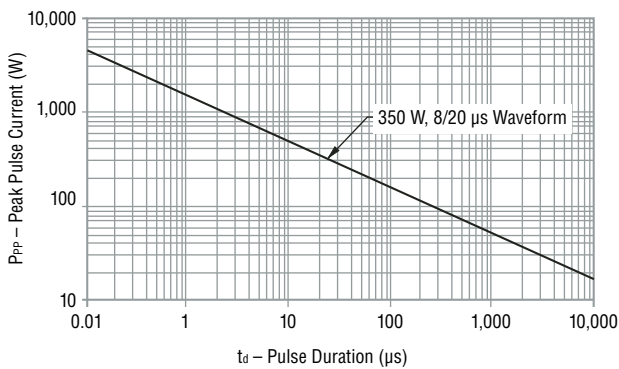
Parameter	Symbol	CDSOD323-						Unit
		Uni-T15	Bi-T15C	Uni-T18	Bi-T18C	Uni-T24	Bi-T24C	
Min. Breakdown Voltage @ 1 mA	V <sub>BR</sub>	16.7	16.7	20.0	20.0	26.7	26.7	V
Working Peak Voltage	V <sub>WM</sub>	15.0	15.0	18.0	18.0	24.0	24.0	V
Maximum Clamping Voltage @ I <sub>P</sub> = 1 A	V <sub>F</sub>	24.0	24.0	29.0	29.0	43.0	43.0	V
Maximum Clamping Voltage @ 8/20 μs @ I <sub>PP</sub>	V <sub>C</sub>	31.8 V @ 10 A	31.8 V @ 10 A	45.0 V @ 8 A	45.0 V @ 8 A	56.0 V @ 6 A	56.0 V @ 6 A	V
Maximum Leakage Current @ V <sub>WM</sub>	I <sub>b</sub>	1						μA
Typical Capacitance @ 0 V, 1 MHz	C <sub>J</sub>	3						pF

**Notes:**

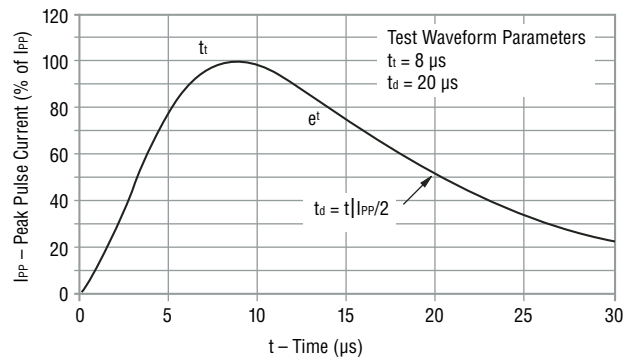
1. Part numbers with suffix "C" indicate bidirectional device, i.e. CDSOD323-T05C.
2. For bidirectional devices only, the electrical specifications apply in both directions.

### Performance Graphs

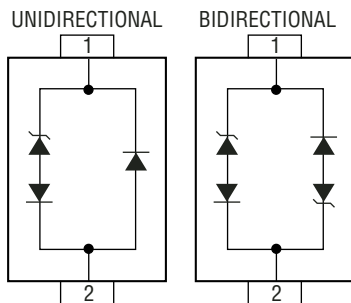
#### Peak Pulse Power vs Pulse Time



#### Pulse Wave Form



### Block Diagram



### How To Order

Common Code \_\_\_\_\_  
 Chip Diode \_\_\_\_\_  
 Package \_\_\_\_\_  
 • SOD323 = SOD-323 Package  
 Model \_\_\_\_\_  
 T = Transient Voltage Suppressor  
 Working Peak Reverse Voltage \_\_\_\_\_  
 05 = 5 V<sub>RWM</sub> (Volts)  
 Suffix \_\_\_\_\_  
 C = Bidirectional Diode

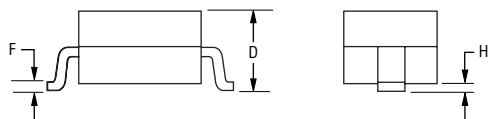
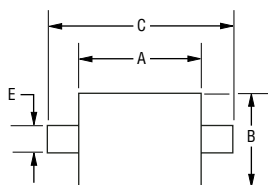
**CD SOD323 - T 05 C**

## CDSOD323-TxxC – TVS Diode Array Series



### Product Dimensions

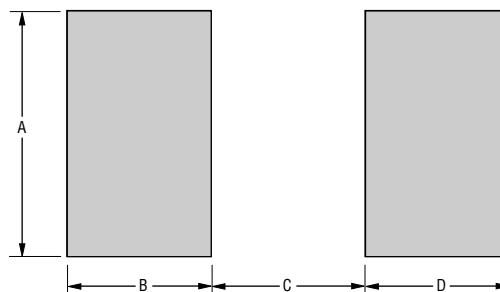
This is a molded JEDEC SOD-323 package with lead free 100 % Sn plating on the terminations. It weighs approximately 30 mg and has a flammability rating of UL 94V-0.



Dimensions	
A	$\frac{0.60 - 1.90}{0.063 - 0.075}$
B	$\frac{1.15 - 1.45}{0.045 - 0.057}$
C	$\frac{2.39 - 2.70}{0.094 - 0.106}$
D	$\frac{0.92 - 1.10}{0.036 - 0.043}$
E	$\frac{0.25 - 0.40}{0.010 - 0.016}$
F	$\frac{0.10 - 0.20}{0.004 - 0.008}$
H	$\frac{0.10}{0.004}$ MAX.

DIMENSIONS =  $\frac{\text{MILLIMETERS}}{\text{(INCHES)}}$

### Recommended Footprint



Dimensions (Nominal)	
A	$\frac{0.80}{0.031}$
B	$\frac{0.80}{0.031}$
C	$\frac{1.40}{0.055}$
D	$\frac{0.80}{0.031}$

DIMENSIONS =  $\frac{\text{MILLIMETERS}}{\text{(INCHES)}}$

### Typical Part Marking

Each device has device marking outlined below and the unidirectional devices have an additional Polarity Band indicating the cathode.

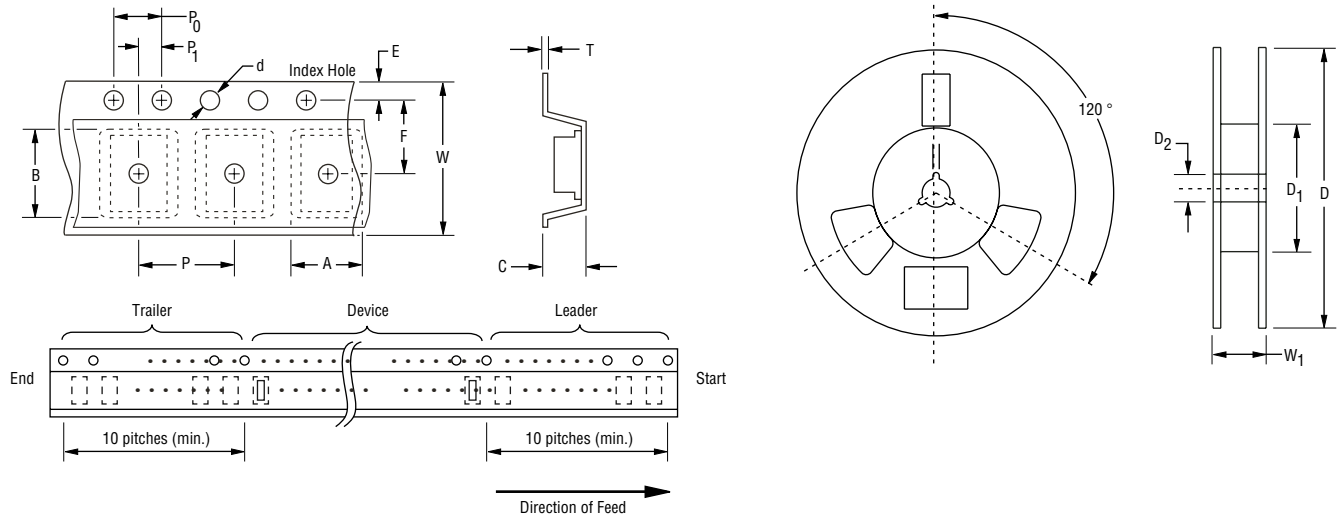
CDSOD323-T03 .....	3
CDSOD323-T03C .....	3C
CDSOD323-T05 .....	5
CDSOD323-T05C .....	5C
CDSOD323-T08 .....	8
CDSOD323-T08C .....	8C
CDSOD323-T12 .....	2
CDSOD323-T12C .....	2C
CDSOD323-T15 .....	6
CDSOD323-T15C .....	6C
CDSOD323-T18 .....	1
CDSOD323-T18C .....	1C
CDSOD323-T24 .....	4
CDSOD323-T24C .....	4C

## CDSOD323-TxxC – TVS Diode Array Series

**BOURNS®**

### Packaging Information

The surface mount product is packaged in an 8 mm x 4 mm tape and reel format per EIA-481 standard.



Item	Symbol	SOD-323
Carrier Width	A	$\frac{1.55 \pm 0.10}{(0.061 - 0.004)}$
Carrier Length	B	$\frac{2.90 \pm 0.10}{(0.114 - 0.004)}$
Carrier Depth	C	$\frac{1.35 \pm 0.10}{(0.053 - 0.004)}$
Sprocket Hole	d	$\frac{1.55 \pm 0.05}{(0.061 - 0.002)}$
Reel Outside Diameter	D	$\frac{178}{(7.008)}$
Reel Inner Diameter	D <sub>1</sub>	$\frac{80.0}{(3.150)}$ Min.
Feed Hole Diameter	D <sub>2</sub>	$\frac{13.0 \pm 0.20}{(0.512 - 0.008)}$
Sprocket Hole Position	E	$\frac{1.75 \pm 0.10}{(0.069 - 0.004)}$
Punch Hole Position	F	$\frac{3.50 \pm 0.05}{(0.138 - 0.002)}$
Punch Hole Pitch	P	$\frac{4.00 \pm 0.10}{(0.157 - 0.004)}$
Sprocket Hole Pitch	P <sub>0</sub>	$\frac{4.00 \pm 0.10}{(0.157 - 0.004)}$
Embossment Center	P <sub>1</sub>	$\frac{2.00 \pm 0.05}{(0.079 - 0.002)}$
Overall Tape Thickness	T	$\frac{0.20 \pm 0.10}{(0.008 - 0.004)}$
Tape Width	W	$\frac{8.00 \pm 0.20}{(0.315 - 0.008)}$
Reel Width	W <sub>1</sub>	$\frac{13.5}{(0.531)}$ Max.
Quantity per Reel	—	3,000



Reliable Electronic Solutions

**Asia-Pacific:**

Tel: +886-2 2562-4117 • Fax: +886-2 2562-4116

**Europe:**

Tel: +41-41 768 5555 • Fax: +41-41 768 5510

**The Americas:**

Tel: +1-951 781-5500 • Fax: +1-951 781-5700

[www.bourns.com](http://www.bourns.com)