



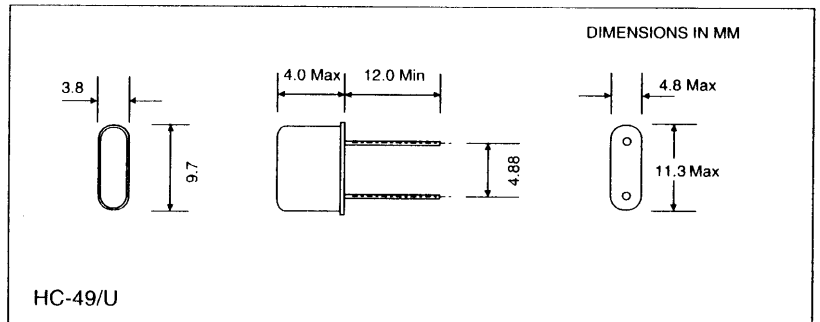
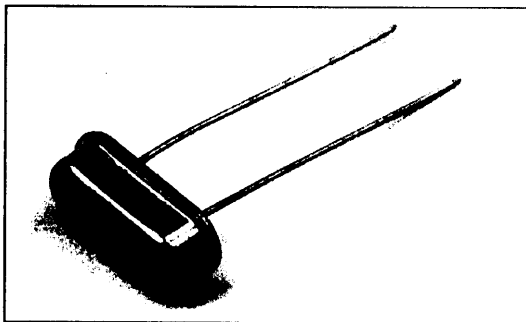
LOW PROFILE QUARTZ CRYSTALS HC-49/4H

Features

- Wide Frequency Range (3.2MHz - 60MHz)
- 4mm High
- Extensive UK Stocks
- Custom Manufacturing Capability

Applications

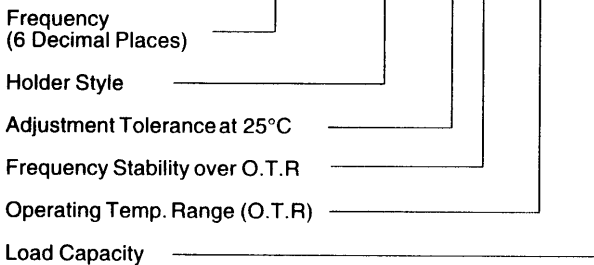
- Microprocessor Systems
- Datacommunications
- Consumer Electronics
- Automotive Electronics



SPECIFICATION

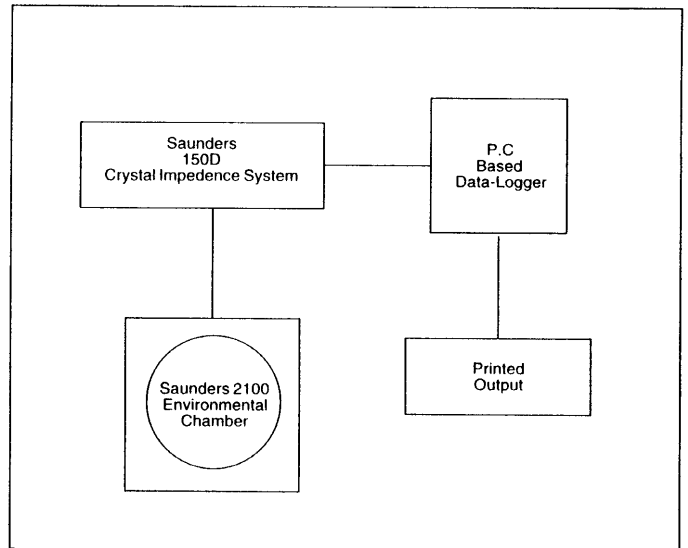
AEL Crystals Ltd, in common with most crystal manufacturers have adopted the standard short code method of specifying crystal resonators.

e.g 12.000000 MHz HC-49/4H 20/50/-10+60/30pF



Other important parameters such as overtone modes or ESR will be noted in addition to the above where they are non-typical.

TEST SYSTEM



FREQUENCY CHARACTERISTICS

