

# MC1489, MC1489A

## Quad Line EIA-232D Receivers

The MC1489 monolithic quad line receivers are designed to interface data terminal equipment with data communications equipment in conformance with the specifications of EIA Standard No. EIA-232D.

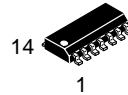
### Features

- Input Resistance – 3.0 k to 7.0 k $\Omega$
- Input Signal Range –  $\pm 30$  V
- Input Threshold Hysteresis Built In
- Response Control
  - a) Logic Threshold Shifting
  - b) Input Noise Filtering
- Pb-Free Packages are Available

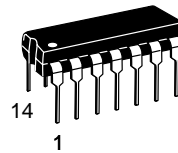


**ON Semiconductor**<sup>®</sup>

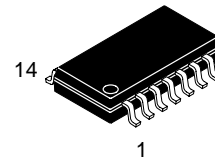
<http://onsemi.com>



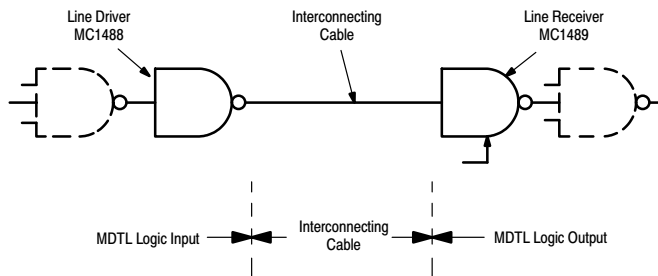
**SOIC-14  
D SUFFIX  
CASE 751A**



**PDIP-14  
P SUFFIX  
CASE 646**

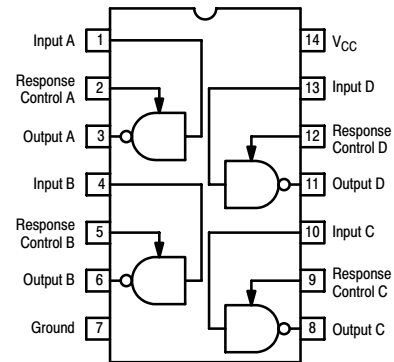


**SOEIAJ-14  
M SUFFIX  
CASE 965**



**Figure 1. Simplified Application**

### PIN CONNECTIONS



### ORDERING INFORMATION

See detailed ordering and shipping information in the package dimensions section on page 8 of this data sheet.

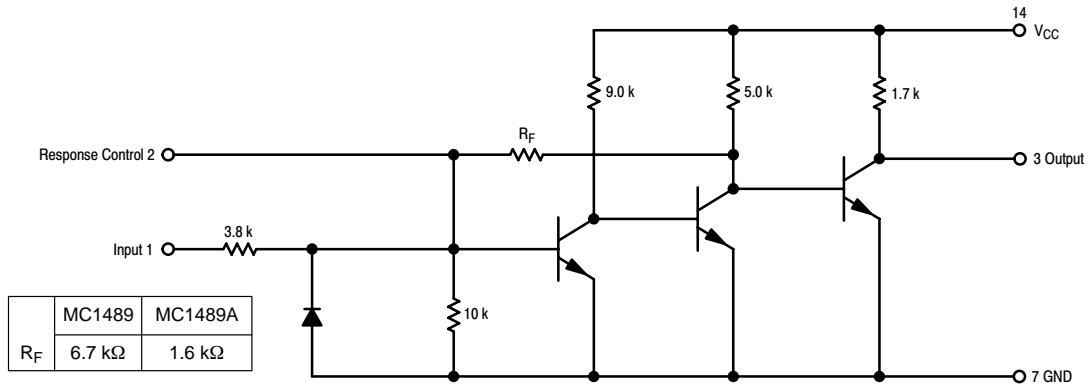
### DEVICE MARKING INFORMATION

See general marking information in the device marking section on page 8 of this data sheet.

\*For additional information on our Pb-Free strategy and soldering details, please download the ON Semiconductor Soldering and Mounting Techniques Reference Manual, SOLDERRM/D.

# MC1489, MC1489A

[查询"MC1489M"供应商](#)



**Figure 2. Representative Schematic Diagram**  
(1/4 of Circuit Shown)

# MC1489, MC1489A

**MAXIMUM RATINGS** (TA = +25°C, unless otherwise noted)

| Rating   | Symbol                              | Value         | Unit        |
|--|-------------------------------------|---------------|-------------|
| Power Supply Voltage   | V <sub>CC</sub>                     | 10            | Vdc         |
| Input Voltage Range  | V <sub>IR</sub>                     | ± 30          | Vdc         |
| Output Load Current  | I <sub>L</sub>                      | 20            | mA          |
| Power Dissipation (Package Limitation, SOIC-14 and Plastic Dual In-Line Package)<br>Derate above T <sub>A</sub> = + 25°C | P <sub>D</sub><br>1/θ <sub>JA</sub> | 1000<br>6.7   | mW<br>mW/°C |
| Operating Ambient Temperature Range  | T <sub>A</sub>                      | 0 to + 75     | °C          |
| Storage Temperature Range  | T <sub>stg</sub>                    | - 65 to + 175 | °C          |

Maximum ratings are those values beyond which device damage can occur. Maximum ratings applied to the device are individual stress limit values (not normal operating conditions) and are not valid simultaneously. If these limits are exceeded, device functional operation is not implied, damage may occur and reliability may be affected.

**ELECTRICAL CHARACTERISTICS** (Response control pin is open.) (V<sub>CC</sub> = + 5.0 Vdc ± 10%, T<sub>A</sub> = 0 to + 75°C, unless otherwise noted)

| Characteristics   | Symbol          | Min             | Typ        | Max          | Unit |
|---|-----------------|-----------------|------------|--------------|------|
| Positive Input Current<br>(V <sub>IH</sub> = + 25 Vdc)<br>(V <sub>IH</sub> = + 3.0 Vdc)   | I <sub>IH</sub> | 3.6<br>0.43     | -<br>-     | 8.3<br>-     | mA   |
| Negative Input Current<br>(V <sub>IH</sub> = - 25 Vdc)<br>(V <sub>IH</sub> = - 3.0 Vdc)   | I <sub>IL</sub> | - 3.6<br>- 0.43 | -<br>-     | - 8.3<br>-   | mA   |
| Input Turn-On Threshold Voltage<br>(T <sub>A</sub> = + 25°C, V <sub>OL</sub> ≤ 0.45 V)  | V <sub>IH</sub> | 1.0<br>1.75     | -<br>1.95  | 1.5<br>2.25  | Vdc  |
| Input Turn-Off Threshold Voltage<br>(T <sub>A</sub> = + 25°C, V <sub>OH</sub> ≥ 2.5 V, I <sub>L</sub> = - 0.5 mA)               | V <sub>IL</sub> | 0.75<br>0.75    | -<br>0.8   | 1.25<br>1.25 | Vdc  |
| Output Voltage High<br>(V <sub>IH</sub> = 0.75 V, I <sub>L</sub> = - 0.5 mA)<br>(Input Open Circuit, I <sub>L</sub> = - 0.5 mA) | V <sub>OH</sub> | 2.5<br>2.5      | 4.0<br>4.0 | 5.0<br>5.0   | Vdc  |
| Output Voltage Low<br>(V <sub>IL</sub> = 3.0 V, I <sub>L</sub> = 10 mA)   | V <sub>OL</sub> | -               | 0.2        | 0.45         | Vdc  |
| Output Short-Circuit Current  | I <sub>OS</sub> | -               | - 3.0      | - 4.0        | mA   |
| Power Supply Current (All Gates "on," I <sub>out</sub> = 0 mA, V <sub>IH</sub> = + 5.0 Vdc)                                     | I <sub>CC</sub> | -               | 16         | 26           | mA   |
| Power Consumption<br>(V <sub>IH</sub> = + 5.0 Vdc)  | P <sub>C</sub>  | -               | 80         | 130          | mW   |

**SWITCHING CHARACTERISTICS** (V<sub>CC</sub> = 5.0 Vdc ± 1%, T<sub>A</sub> = + 25°C, See Figure 3.)

|   |                  |   |     |     |    |
|---|------------------|---|-----|-----|----|
| Propagation Delay Time<br>(R <sub>L</sub> = 3.9 kΩ) | t <sub>PLH</sub> | - | 25  | 85  | ns |
| Rise Time<br>(R <sub>L</sub> = 3.9 kΩ)              | t <sub>TLH</sub> | - | 120 | 175 | ns |
| Propagation Delay Time<br>(R <sub>L</sub> = 390 kΩ) | t <sub>PHL</sub> | - | 25  | 50  | ns |
| Fall Time<br>(R <sub>L</sub> = 390 kΩ)              | t <sub>THL</sub> | - | 10  | 20  | ns |

TEST CIRCUITS

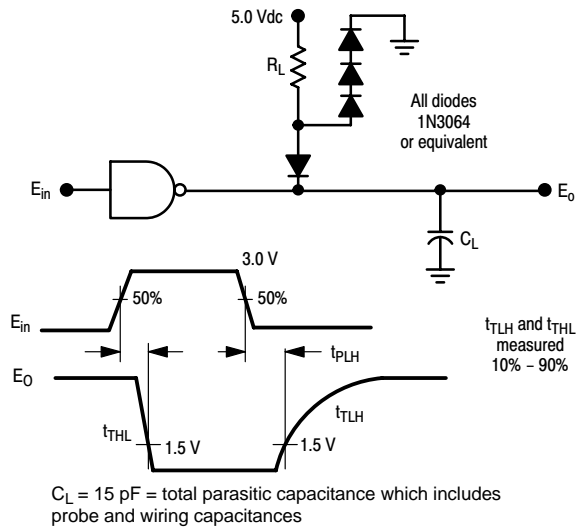
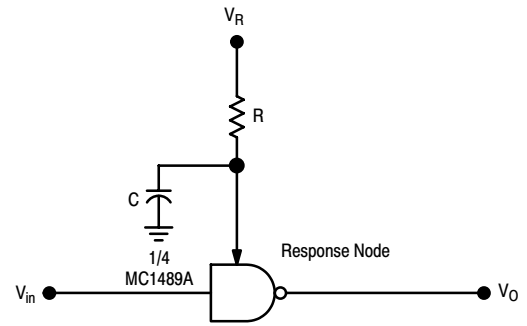


Figure 3. Switching Response



C, capacitor is for noise filtering.  
 R, resistor is for threshold shifting.

Figure 4. Response Control Node

# MC1489, MC1489A

[查询"MC1489M"供应商](#)

## TYPICAL CHARACTERISTICS

( $V_{CC} = 5.0 \text{ Vdc}$ ,  $T_A = +25^\circ\text{C}$ , unless otherwise noted)

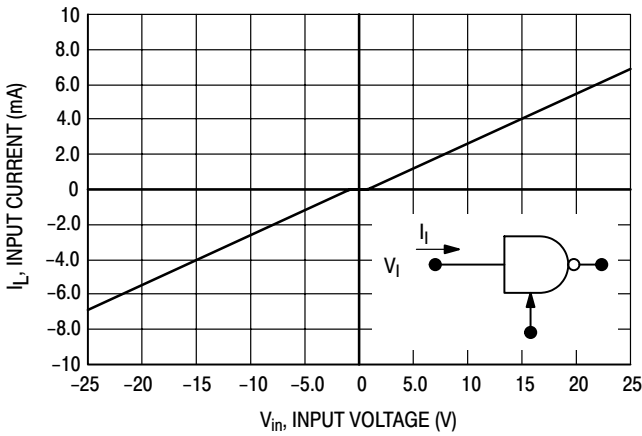


Figure 5. Input Current

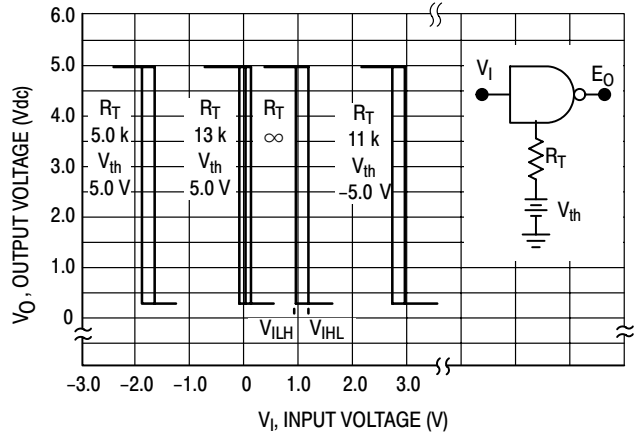


Figure 6. MC1489 Input Threshold Voltage Adjustment

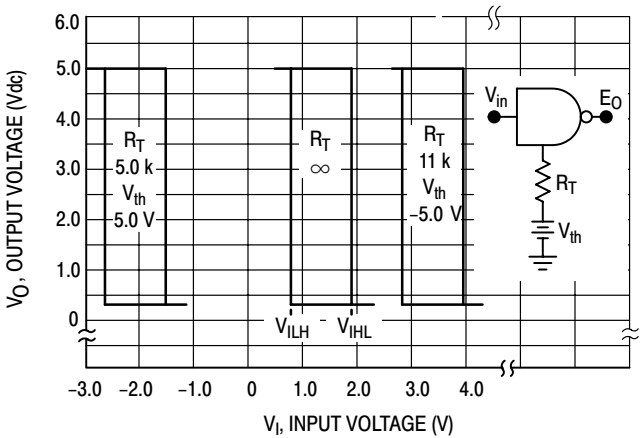


Figure 7. MC1489A Input Threshold Voltage Adjustment

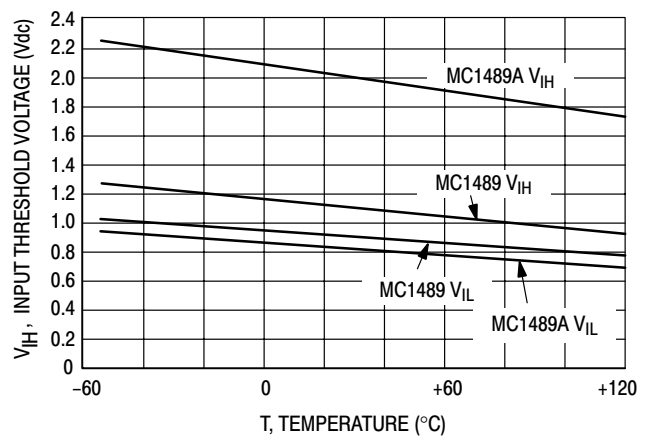


Figure 8. Input Threshold Voltage versus Temperature

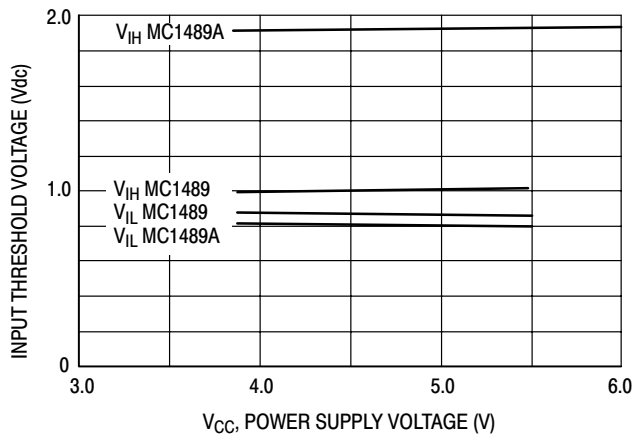


Figure 9. Input Threshold versus Power Supply Voltage

[查询"MC1489M"供应商](#)

**General Information**

The Electronic Industries Association (EIA) has released the EIA-232D specification detailing the requirements for the interface between data processing equipment and data communications equipment. This standard specifies not only the number and type of interface leads, but also the voltage levels to be used. The MC1488 quad driver and its companion circuit, the MC1489 quad receiver, provide a complete interface system between DTL or TTL logic levels and the EIA-232D defined levels. The EIA-232D requirements as applied to receivers are discussed herein.

The required input impedance is defined as between 3000 Ω and 7000 Ω for input voltages between 3.0 and 25 V in magnitude; and any voltage on the receiver input in an open circuit condition must be less than 2.0 V in magnitude. The MC1489 circuits meet these requirements with a maximum open circuit voltage of one  $V_{BE}$ .

The receiver shall detect a voltage between - 3.0 and -25 V as a Logic "1" and inputs between 3.0 and 25 V as a Logic "0." On some interchange leads, an open circuit of power "OFF" condition (300 Ω or more to ground) shall be decoded as an "OFF" condition or Logic "1." For this reason, the input hysteresis thresholds of the MC1489 circuits are all above ground. Thus an open or grounded input will cause the same output as a negative or Logic "1" input.

**Device Characteristics**

The MC1489 interface receivers have internal feedback from the second stage to the input stage providing input hysteresis for noise rejection. The MC1489 input has typical

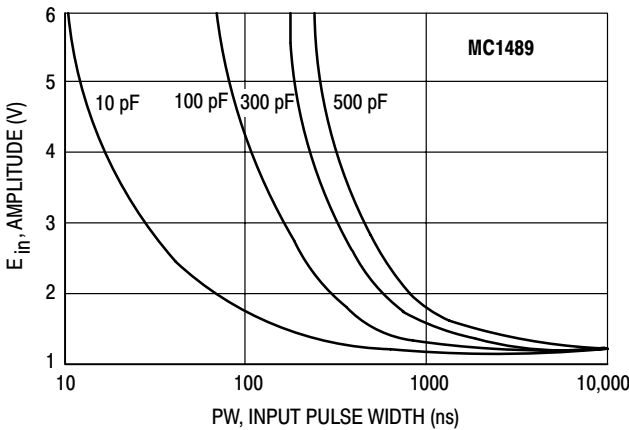
turn-on voltage of 1.25 V and turn-off of 1.0 V for a typical hysteresis of 250 mV. The MC1489A has typical turn-on of 1.95 V and turn-off of 0.8 V for typically 1.15 V of hysteresis.

Each receiver section has an external response control node in addition to the input and output pins, thereby allowing the designer to vary the input threshold voltage levels. A resistor can be connected between this node and an external power supply. Figures 4, 6 and 7 illustrate the input threshold voltage shift possible through this technique.

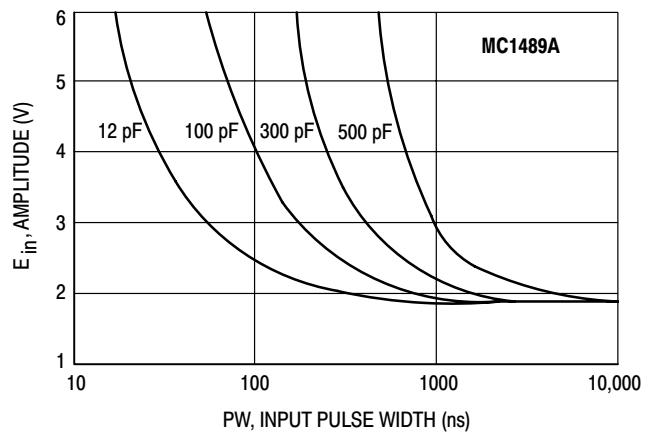
This response node can also be used for the filtering of high frequency, high energy noise pulses. Figures 10 and 11 show typical noise pulse rejection for external capacitors of various sizes.

These two operations on the response node can be combined or used individually for many combinations of interfacing applications. The MC1489 circuits are particularly useful for interfacing between MOS circuits and MDTL/MTTL logic systems. In this application, the input threshold voltages are adjusted (with the appropriate supply and resistor values) to fall in the center of the MOS voltage logic levels (see Figure 12).

The response node may also be used as the receiver input as long as the designer realizes that he may not drive this node with a low impedance source to a voltage greater than one diode above ground or less than one diode below ground. This feature is demonstrated in Figure 13 where two receivers are slaved to the same line that must still meet the EIA-232D impedance requirement.



**Figure 10. Typical Turn On Threshold versus Capacitance from Response Control Pin to GND**



**Figure 11. Typical Turn On Threshold versus Capacitance from Response Control Pin to GND**

# MC1489, MC1489A

[查询"MC1489M"供应商](#)

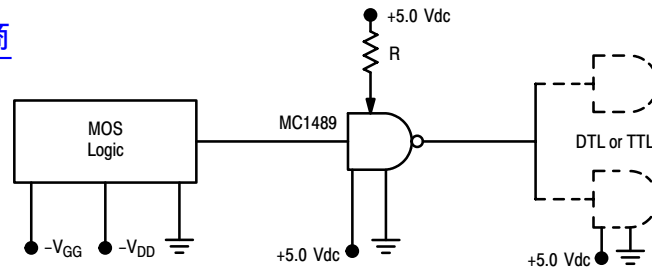


Figure 12. Typical Translator Application – MOS to DTL or TTL

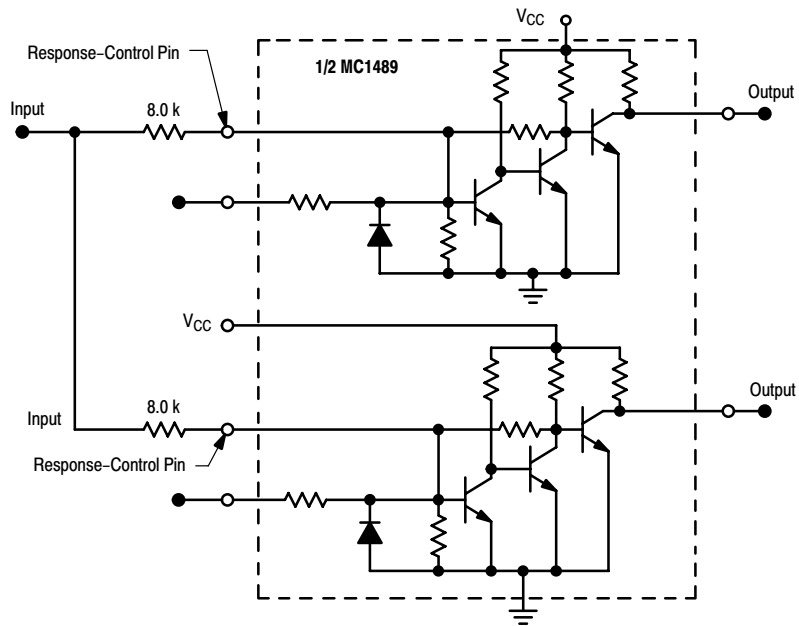


Figure 13. Typical Paralleling of Two MC1489, A Receivers to Meet EIA-232D

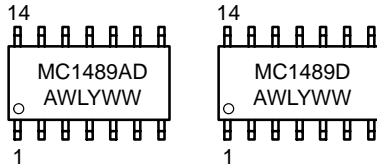
# MC1489, MC1489A

## ORDERING INFORMATION

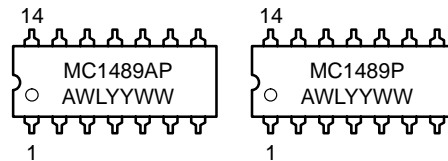
| Device      | Package             | Operating Temperature Range             | Shipping         |
|-------------|---------------------|---|------------------|
| MC1489D     | SOIC-14             | $T_A = 0 \text{ to } +75^\circ\text{C}$ | 55 Units/Rail    |
| MC1489DR2   |                     |   | 2500 Tape & Reel |
| MC1489AD    |                     |   | 55 Units/Rail    |
| MC1489ADG   | SOIC-14 (Pb-Free)   |   | 55 Units/Rail    |
| MC1489ADR2  | SOIC-14             |   | 2500 Tape & Reel |
| MC1489ADR2G | SOIC-14 (Pb-Free)   |   | 2500 Tape & Reel |
| MC1489P     | PDIP-14             | $T_A = 0 \text{ to } +75^\circ\text{C}$ | 25 Units/Rail    |
| MC1489PG    | PDIP-14 (Pb-Free)   |   | 25 Units/Rail    |
| MC1489AP    | PDIP-14             |   | 25 Units/Rail    |
| MC1489M     | SOEIAJ-14           | $T_A = 0 \text{ to } +75^\circ\text{C}$ | 50 Units/Rail    |
| MC1489MEL   |                     |   | 2000 Tape & Reel |
| MC1489AM    |                     |   | 50 Units/Rail    |
| MC1489AM    | SOEIAJ-14 (Pb-Free) |   | 50 Units/Rail    |
| MC1489AMEL  | SOEIAJ-14           |   | 2000 Tape & Reel |
| MC1489AMEL  | SOEIAJ-14 (Pb-Free) |   | 2000 Tape & Reel |

## MARKING DIAGRAMS

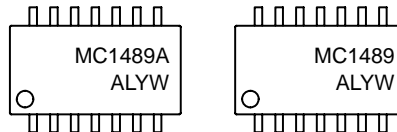
**SOIC-14**  
**D SUFFIX**  
**CASE 751A**



**PDIP-14**  
**P SUFFIX**  
**CASE 646**



**SOEIAJ-14**  
**M SUFFIX**  
**CASE 965**



A = Assembly Location  
WL, L = Wafer Lot  
YY, Y = Year  
WW, W = Work Week

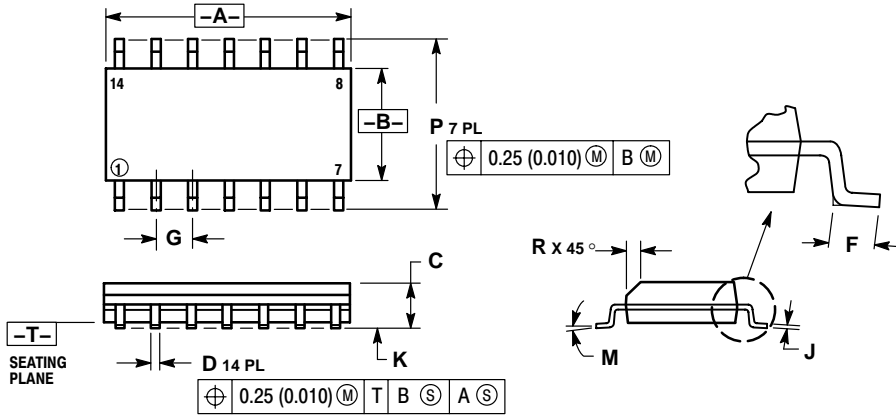


# MC1489, MC1489A

[查询"MC1489M"供应商](#)

## PACKAGE DIMENSIONS

### SOIC-14 D SUFFIX CASE 751A-03 ISSUE F

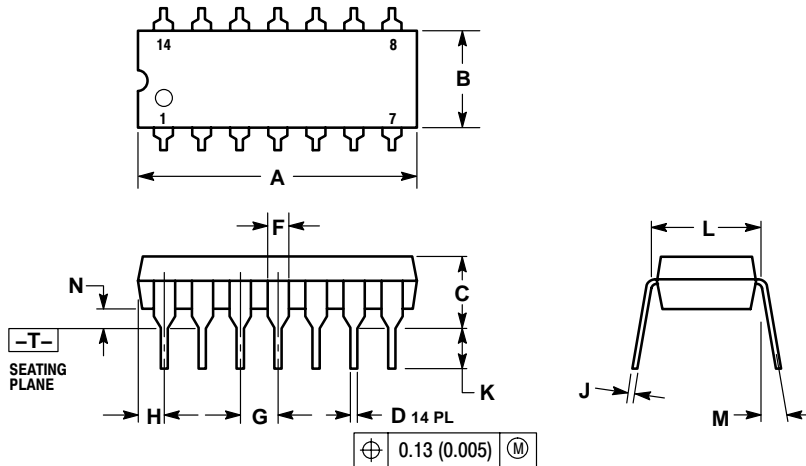


NOTES:

1. DIMENSIONING AND TOLERANCING PER ANSI Y14.5M, 1982.
2. CONTROLLING DIMENSION: MILLIMETER.
3. DIMENSIONS A AND B DO NOT INCLUDE MOLD PROTRUSION.
4. MAXIMUM MOLD PROTRUSION 0.15 (0.006) PER SIDE.
5. DIMENSION D DOES NOT INCLUDE DAMBAR PROTRUSION. ALLOWABLE DAMBAR PROTRUSION SHALL BE 0.127 (0.005) TOTAL IN EXCESS OF THE D DIMENSION AT MAXIMUM MATERIAL CONDITION.

| DIM | MILLIMETERS |      | INCHES    |       |
|-----|-------------|------|-----------|-------|
|     | MIN         | MAX  | MIN       | MAX   |
| A   | 8.55        | 8.75 | 0.337     | 0.344 |
| B   | 3.80        | 4.00 | 0.150     | 0.157 |
| C   | 1.35        | 1.75 | 0.054     | 0.068 |
| D   | 0.35        | 0.49 | 0.014     | 0.019 |
| F   | 0.40        | 1.25 | 0.016     | 0.049 |
| G   | 1.27 BSC    |      | 0.050 BSC |       |
| J   | 0.19        | 0.25 | 0.008     | 0.009 |
| K   | 0.10        | 0.25 | 0.004     | 0.009 |
| M   | 0°          | 7°   | 0°        | 7°    |
| P   | 5.80        | 6.20 | 0.228     | 0.244 |
| R   | 0.25        | 0.50 | 0.010     | 0.019 |

### PDIP-14 P SUFFIX CASE 646-06 ISSUE M



NOTES:

1. DIMENSIONING AND TOLERANCING PER ANSI Y14.5M, 1982.
2. CONTROLLING DIMENSION: INCH.
3. DIMENSION L TO CENTER OF LEADS WHEN FORMED PARALLEL.
4. DIMENSION B DOES NOT INCLUDE MOLD FLASH.
5. ROUNDED CORNERS OPTIONAL.

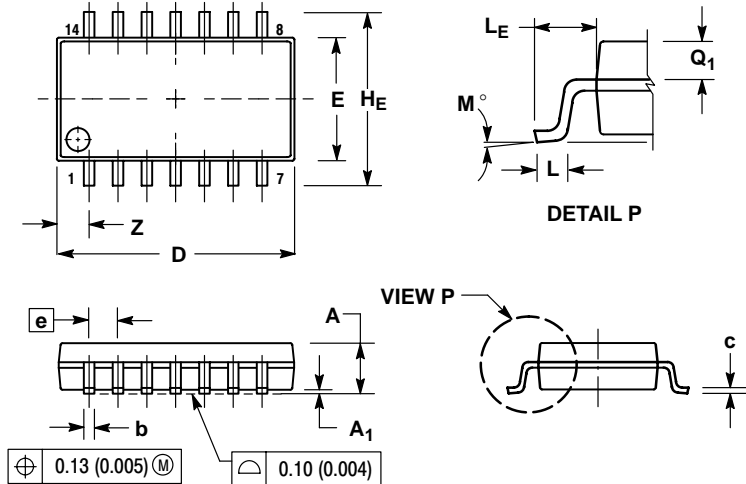
| DIM | INCHES    |       | MILLIMETERS |       |
|-----|-----------|-------|-------------|-------|
|     | MIN       | MAX   | MIN         | MAX   |
| A   | 0.715     | 0.770 | 18.16       | 18.80 |
| B   | 0.240     | 0.260 | 6.10        | 6.60  |
| C   | 0.145     | 0.185 | 3.69        | 4.69  |
| D   | 0.015     | 0.021 | 0.38        | 0.53  |
| F   | 0.040     | 0.070 | 1.02        | 1.78  |
| G   | 0.100 BSC |       | 2.54 BSC    |       |
| H   | 0.052     | 0.095 | 1.32        | 2.41  |
| J   | 0.008     | 0.015 | 0.20        | 0.38  |
| K   | 0.115     | 0.135 | 2.92        | 3.43  |
| L   | 0.290     | 0.310 | 7.37        | 7.87  |
| M   | ---       | 10°   | ---         | 10°   |
| N   | 0.015     | 0.039 | 0.38        | 1.01  |

# MC1489, MC1489A

[查询"MC1489M"供应商](#)

## PACKAGE DIMENSIONS

SOEIAJ-14  
M SUFFIX  
CASE 965-01  
ISSUE O



### NOTES:

1. DIMENSIONING AND TOLERANCING PER ANSI Y14.5M, 1982.
2. CONTROLLING DIMENSION: MILLIMETER.
3. DIMENSIONS D AND E DO NOT INCLUDE MOLD FLASH OR PROTRUSIONS AND ARE MEASURED AT THE PARTING LINE. MOLD FLASH OR PROTRUSIONS SHALL NOT EXCEED 0.15 (0.006) PER SIDE.
4. TERMINAL NUMBERS ARE SHOWN FOR REFERENCE ONLY.
5. THE LEAD WIDTH DIMENSION (b) DOES NOT INCLUDE DAMBAR PROTRUSION. ALLOWABLE DAMBAR PROTRUSION SHALL BE 0.08 (0.003) TOTAL IN EXCESS OF THE LEAD WIDTH DIMENSION AT MAXIMUM MATERIAL CONDITION. DAMBAR CANNOT BE LOCATED ON THE LOWER RADIUS OR THE FOOT. MINIMUM SPACE BETWEEN PROTRUSIONS AND ADJACENT LEAD TO BE 0.46 (0.018).

| DIM            | MILLIMETERS |       | INCHES    |       |
|----------------|-------------|-------|-----------|-------|
|                | MIN         | MAX   | MIN       | MAX   |
| A              | ---         | 2.05  | ---       | 0.081 |
| A <sub>1</sub> | 0.05        | 0.20  | 0.002     | 0.008 |
| b              | 0.35        | 0.50  | 0.014     | 0.020 |
| c              | 0.18        | 0.27  | 0.007     | 0.011 |
| D              | 9.90        | 10.50 | 0.390     | 0.413 |
| E              | 5.10        | 5.45  | 0.201     | 0.215 |
| e              | 1.27 BSC    |       | 0.050 BSC |       |
| HE             | 7.40        | 8.20  | 0.291     | 0.323 |
| 0.50           | 0.50        | 0.85  | 0.020     | 0.033 |
| LE             | 1.10        | 1.50  | 0.043     | 0.059 |
| M              | 0°          | 10°   | 0°        | 10°   |
| Q <sub>1</sub> | 0.70        | 0.90  | 0.028     | 0.035 |
| Z              | ---         | 1.42  | ---       | 0.056 |

ON Semiconductor and are registered trademarks of Semiconductor Components Industries, LLC (SCILLC). SCILLC reserves the right to make changes without further notice to any products herein. SCILLC makes no warranty, representation or guarantee regarding the suitability of its products for any particular purpose, nor does SCILLC assume any liability arising out of the application or use of any product or circuit, and specifically disclaims any and all liability, including without limitation special, consequential or incidental damages. "Typical" parameters which may be provided in SCILLC data sheets and/or specifications can and do vary in different applications and actual performance may vary over time. All operating parameters, including "Typicals" must be validated for each customer application by customer's technical experts. SCILLC does not convey any license under its patent rights nor the rights of others. SCILLC products are not designed, intended, or authorized for use as components in systems intended for surgical implant into the body, or other applications intended to support or sustain life, or for any other application in which the failure of the SCILLC product could create a situation where personal injury or death may occur. Should Buyer purchase or use SCILLC products for any such unintended or unauthorized application, Buyer shall indemnify and hold SCILLC and its officers, employees, subsidiaries, affiliates, and distributors harmless against all claims, costs, damages, and expenses, and reasonable attorney fees arising out of, directly or indirectly, any claim of personal injury or death associated with such unintended or unauthorized use, even if such claim alleges that SCILLC was negligent regarding the design or manufacture of the part. SCILLC is an Equal Opportunity/Affirmative Action Employer. This literature is subject to all applicable copyright laws and is not for resale in any manner.

### PUBLICATION ORDERING INFORMATION

#### LITERATURE FULFILLMENT:

Literature Distribution Center for ON Semiconductor  
P.O. Box 5163, Denver, Colorado 80217 USA

Phone: 303-675-2175 or 800-344-3860 Toll Free USA/Canada

Fax: 303-675-2176 or 800-344-3867 Toll Free USA/Canada

Email: [orderlit@onsemi.com](mailto:orderlit@onsemi.com)

N. American Technical Support: 800-282-9855 Toll Free  
USA/Canada

Japan: ON Semiconductor, Japan Customer Focus Center

2-9-1 Kamimeguro, Meguro-ku, Tokyo, Japan 153-0051

Phone: 81-3-5773-3850

ON Semiconductor Website: <http://onsemi.com>

Order Literature: <http://www.onsemi.com/litorder>

For additional information, please contact your local Sales Representative.