

Code carrier

[查询"51412"供应商](#)



Model number

IPC02-20W

- Battery-free code carrier
- 40 bit fix code
- Readable from both sides
- Protection degree IP67

Code carrier

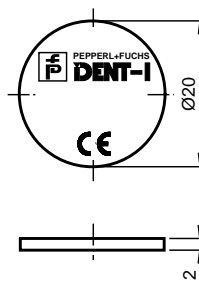


Model number

IPC02-30W

- Battery-free code carrier
- 40 bit fix code
- Readable from both sides
- Protection degree IP67
- Mounting holes for simple installation

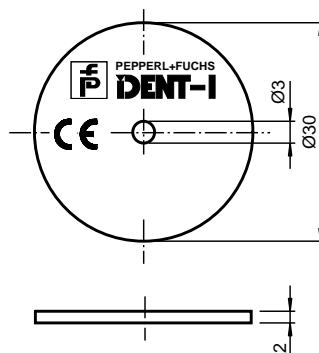
Dimensions



Technical data

Memory	
Type/Size	ROM 64 Bit (40 Bit code, 24 bit data security)
Read cycles	unlimited
Ambient conditions	
Ambient temperature	-25 ... 70 °C (248 ... 343 K)
Storage temperature	-40 ... 90 °C (233 ... 363 K)
Mechanical specifications	
Protection degree	IP67 according to EN 60529
Material	
Housing	PC

Dimensions



Technical data

Memory	
Type/Size	ROM 64 Bit (40 Bit code, 24 bit data security)
Read cycles	unlimited
Ambient conditions	
Ambient temperature	-25 ... 70 °C (248 ... 343 K)
Storage temperature	-40 ... 90 °C (233 ... 363 K)
Mechanical specifications	
Protection degree	IP67 according to EN 60529
Material	
Housing	PC