

查询"35002WR"供应商

3.50mm (0.138") PITCH CONNECTOR

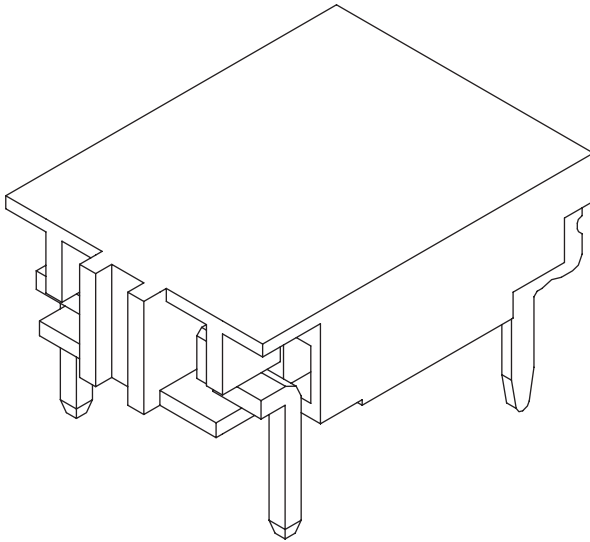


Wire-to-Board
Wafer

35002WR Series

DIP

Right Angle

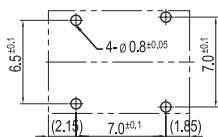
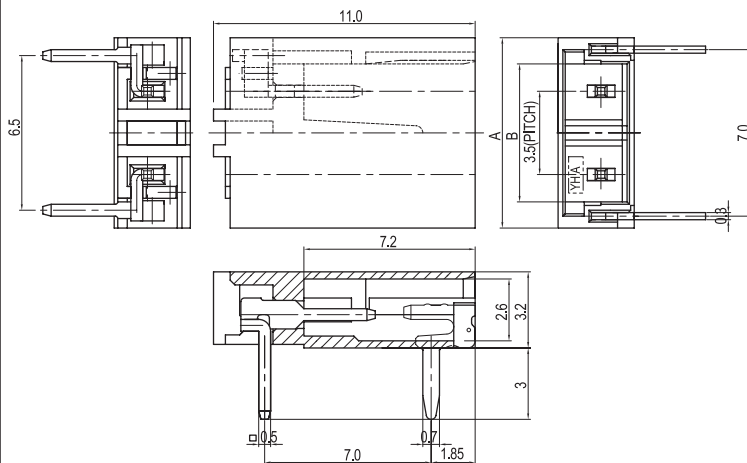


Material

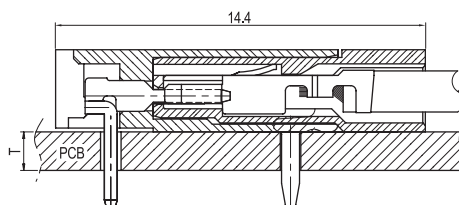
I/NO	DESCRIPTION	TITLE	MATERIAL
1	WAFER	35002WR	PA46 or PA6T, UL94 V Grade
2	PIN	35002PR	Phosphor Bronze & Tin plated
3	HOOK	35002LR	Brass & Tin-Plated

Available Pin

PARTS NO.	DIM. A	DIM. B
35002WR-02A00	8.0	5.8



PCB LAYOUT



Specification

ITEM	SPEC
Voltage Rating	AC/DC 1400V
Current Rating	AC/DC 1A
Operating Temperature	-25°C~+85°C
Contact Resistance	30mΩ MAX
Withstanding Voltage	AC3800V/1min
Insulation Resistance	1000MΩ/min
Applicable Wire	-
Applicable P.C.B	1.2~1.6mm
Applicable FPC/FFC	-
Solder Height	0.15mm
Crimp Tensile Strength	-
UL FILE NO	-

Application Housing : 35001HS (175 page)