

IGBT MODULE (L series)

■ Features

- High Speed Switching
- Low Saturation Voltage
- Voltage Drive

■ Applications

- High Current for Motor Drive, such as Electric Vehicle
- High Current Inverter
- Uninterruptible Power Supply

■ Maximum Ratings and Characteristics

● Absolute Maximum Ratings

Items	Symbols	Ratings	Units
Collector-Emitter Voltage	V _{CEs}	600	V
Gate-Emitter Voltage	V _{GES}	±20	V
Collector Current	Continuous	I _c	750
	1ms	I _c pulse	1500
	Duty = 83%	-I _c	750
	1ms	-I _c pulse	1500
Max. Power Dissipation	P _c	3125	W
Operating Temperature	T _j	+150	°C
Storage Temperature	T _{stg}	-40 to +125	°C
Isolation Voltage	AC, 1min.	V _{is}	2500
Screw Torque	Mounting *1	3.5	N·m
	Terminals *2	4.5	
	Terminals *3	1.7	

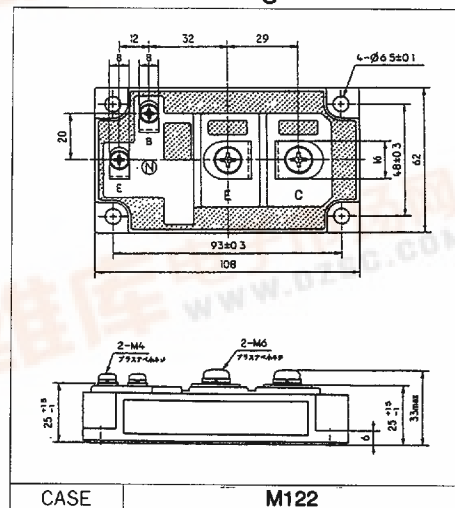
● Electrical Characteristics (T_j=25°C)

Items	Symbols	Test Conditions	Min.	Typ.	Max.	Units
Zero Gate Voltage Collector Current	I _{CEs}	V _{GE} =0V V _{CE} =600V T _j =25°C			4.0	mA
Gate-Emitter Leakage Current	I _{GES}	V _{CE} =0V V _{GE} =±20V			400	nA
Gate-Emitter Threshold Voltage	V _{GE(th)}	V _{CE} =20V I _c =750mA	3.0		6.0	V
Collector-Emitter Saturation Voltage	V _{CE(sat)}	V _{GE} =15V I _c =750A		2.7	3.5	V
Input Capacitance	C _{ies}	V _{GE} =0V		76		nF
Output Capacitance	C _{oes}	V _{CE} =10V		-		
Reverse Transfer Capacitance	C _{res}	f=1MHz		-		
Turn-on Time	t _{on}	V _{cc} =300V		0.6	0.8	μs
	t _r	I _c =750A		0.4	0.6	
Turn-off Time	t _{off}	V _{GE} =±15V		0.7	1.0	
	t _f	R _G =2.4Ω		0.2	0.35	
Diode Forward On-Voltage	V _F	I _F =750A V _{GE} =0V			2.5	V
Reverse Recovery Time	t _{rr}	I _F =750A -di/dt=2.25A/ns V _{GE} =-10V			300	ns

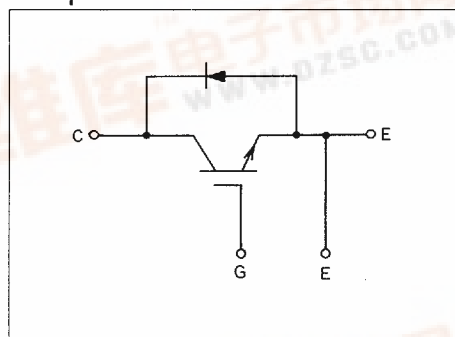
● Thermal Characteristics

Items	Symbols	Test Conditions	Min.	Typ.	Max.	Units
Thermal Resistance	R _{th(j-c)}	IGBT			0.04	°C/W
	R _{th(j-e)}	Diode			0.08	
	R _{th(c-f)}	With Thermal compound		0.0125		

■ Outline Drawings

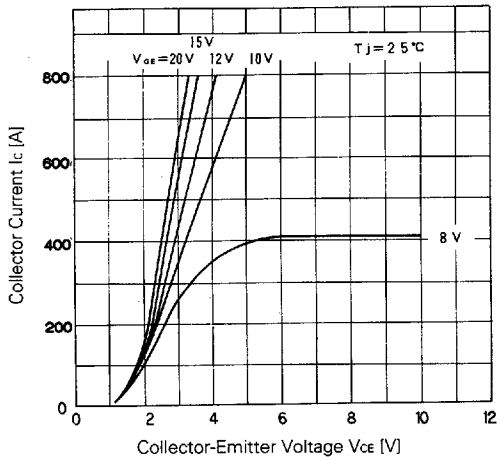


■ Equivalalent Circuit Schematic

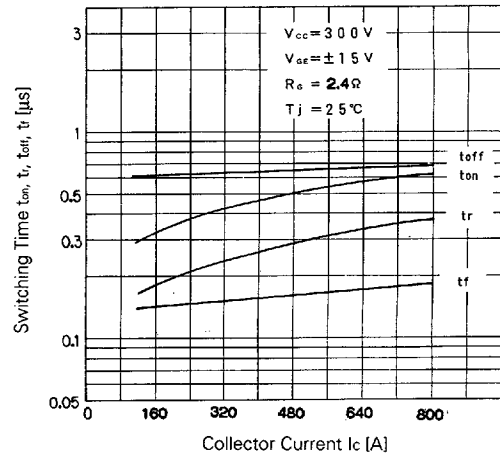


- *1 Recommendable Value 2.5 ~ 3.5 N·m (M5) or (M6)
- *2 Recommendable Value 3.5 ~ 4.5 N·m (M6)
- *3 Recommendable Value 1.3 ~ 1.6 N·m (M4)

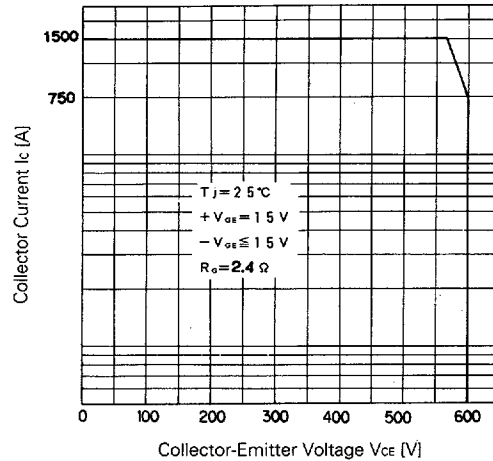
■ [查询"1MBI750LN060"供应商](#)



Collector Current vs. Collector-Emitter Voltage



Switching Time



Reverse Biased Safe Operating Area