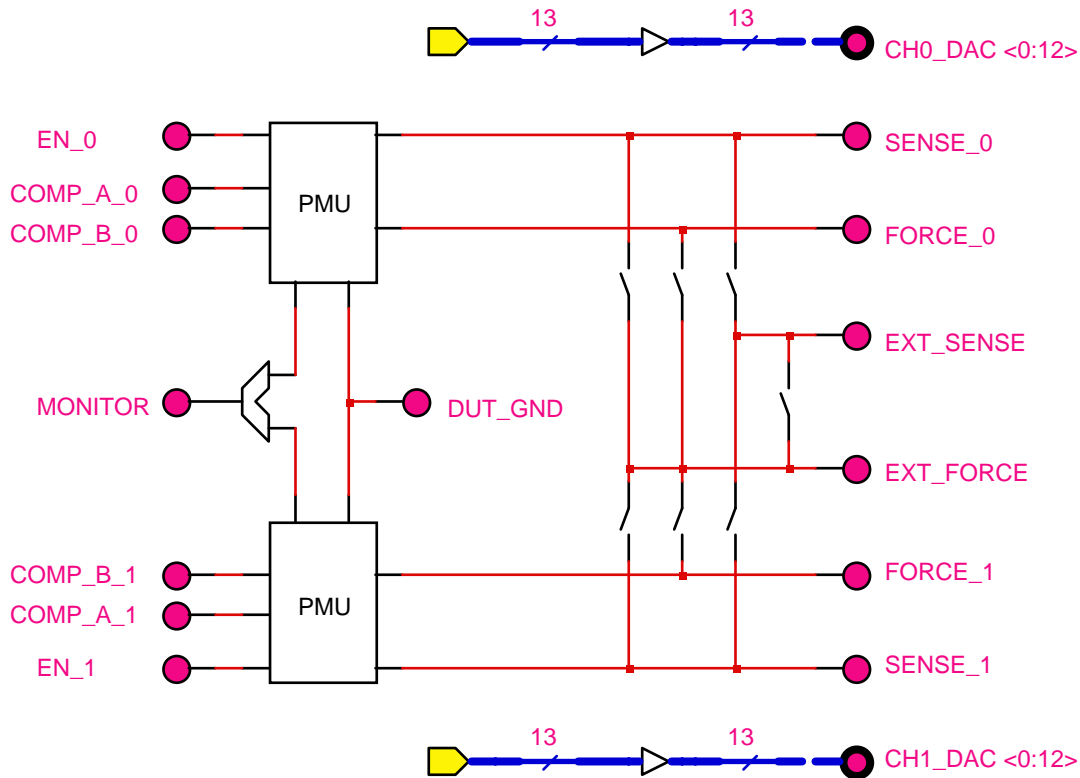


[Get Full Datasheet](#)

SOC Pin Electronics Companion

PMU / DAC / Resistive Load



Per Pin PMU

- FV, FI, MV, MI
- 8 Current Ranges
(32 mA, 8 mA, 2 mA, 512 μ A, 128 μ A, 32 μ A, 8 μ A, 2 μ A)
- 14V FV Range
- FI Voltage Clamps
- FV Current Clamps
- On Chip Current Ganging
- Supports 64 mA / Channel in FV Mode

On Chip DAC Levels

- All PMU Levels Generated On Chip
- 13 Levels / Channel Brought Off Chip
- 16 Bits per Level
- 16 Bit per Level Offset Correction
- 16 Bit per Level Gain Correction

Resistive Load

- 8 Resistance Options
- High Speed Real Time Control

External Force / Sense Switches On Chip

Package / Power Dissipation

- 56 Lead, 8 mm X 8 mm, MLF w/ Exposed Heat Slug
- $Pd_q \leq 500$ mW / Channel; $Pd_q \leq 1$ W / Chip
(No Output Current)
- $Pd_{max} \leq 800$ mW / Channel; $Pd_{max} \leq 1.6$ W / Chip
(Maximum output Current)

3 Bit Serial CPU Port

Product Status	Revision Date
Production	11 / 20 / 07