



T-33-19

2010A

PNP Epitaxial Planar Silicon Transistor

# Low Frequency Power Amp Applications

©2332

**Applications**

- . Power amp

**Features**

- . Wide ASO (adoption of MBIT process)
- . Low saturation voltage
- . High reliability

**Absolute Maximum Ratings at Ta=25°C**

			unit
Collector to Base Voltage	V <sub>CB0</sub>	-60	V
Collector to Emitter Voltage	V <sub>CEO</sub>	-60	V
Emitter to Base Voltage	V <sub>EBO</sub>	-6	V
Collector Current	I <sub>C</sub>	-3	A
Peak Collector Current	i <sub>cp</sub>	-8	A
Collector Dissipation	P <sub>C</sub>	1.75	W
		30	W
		150	°C
Junction Temperature	T <sub>j</sub>		°C
Storage Temperature	T <sub>stg</sub>	-55 to +150	°C

Tc=25°C

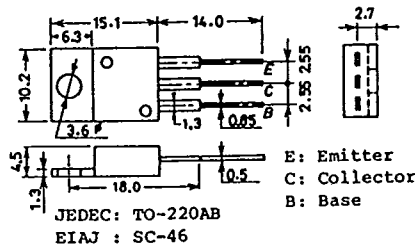
**Electrical Characteristics at Ta=25°C**

		min	typ	max	unit
Collector Cutoff Current	I <sub>CB0</sub>			-100	uA
Emitter Cutoff Current	I <sub>EBO</sub>			-100	uA
DC Current Gain	h <sub>FE</sub> (1)	70*		280*	
	h <sub>FE</sub> (2)	20			
Gain-Bandwidth Product	f <sub>T</sub>		100		MHz
Output Capacitance	c <sub>ob</sub>		60		pF
C-E Saturation Voltage	V <sub>CE(sat)</sub>	-0.4		-1	V
Base to Emitter Voltage	V <sub>BE</sub>	-0.8		-1	V
C-B Breakdown Voltage	V(BR)CBO	-60			V
C-E Breakdown Voltage	V(BR)CEO	-60			V
E-B Breakdown Voltage	V(BR)EBO	-6			V

\*:The 2SB1273 is classified by 0.5A h<sub>FE</sub> as follows:

70	Q	140	100	R	200	140	S	280
----	---	-----	-----	---	-----	-----	---	-----

**Case Outline 2010A (unit:mm)**

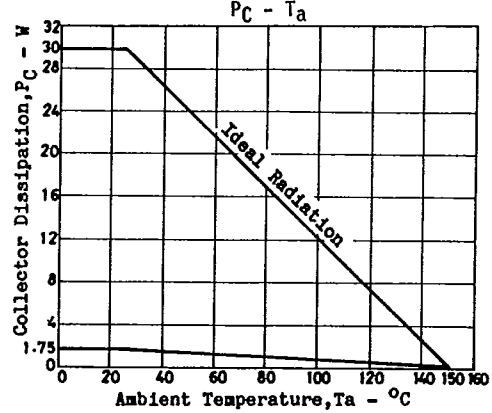
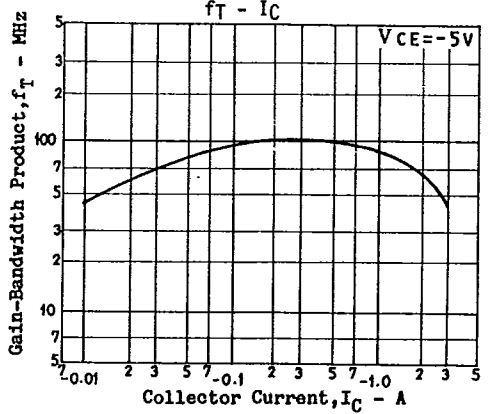
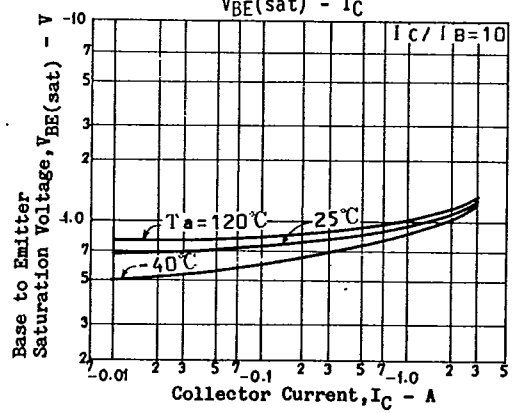
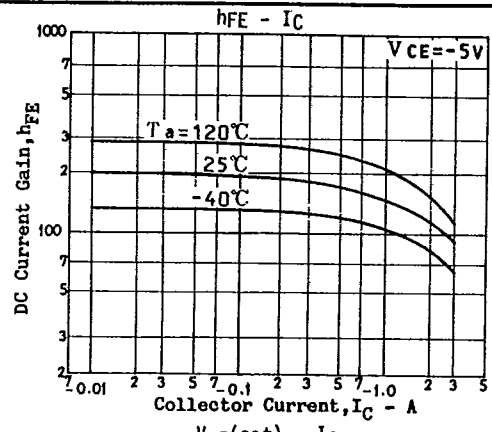
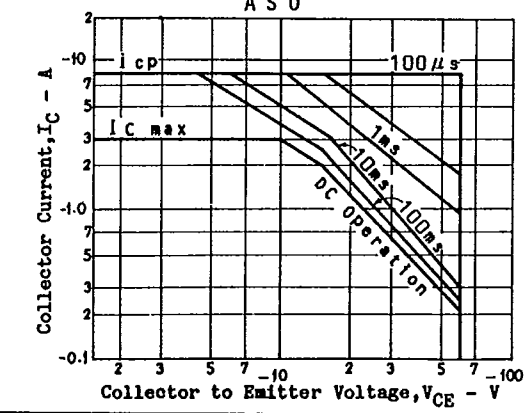
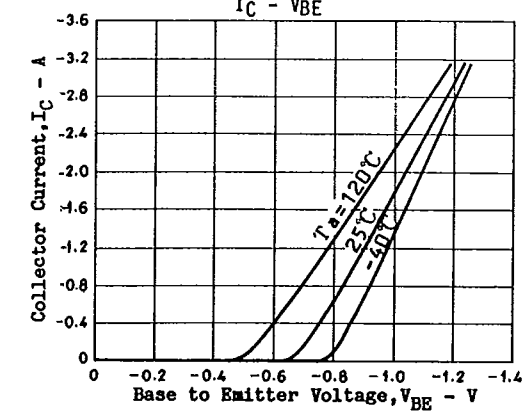
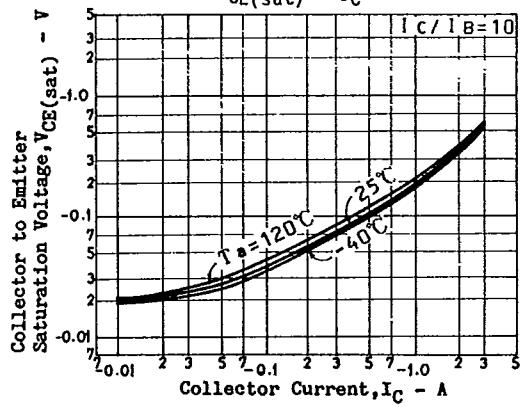
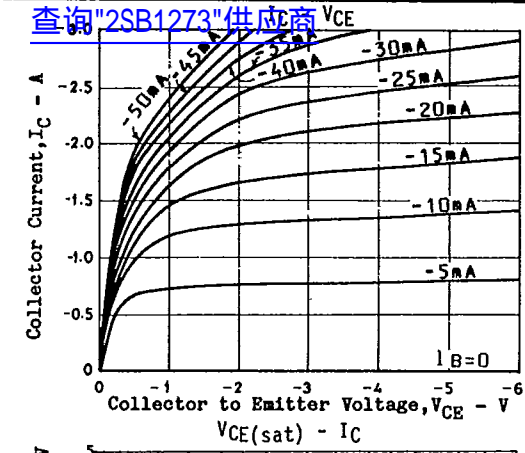


2247TA, TS No.2332-1/2

2SB1273

T-33-19

查询"2SB1273"供应商



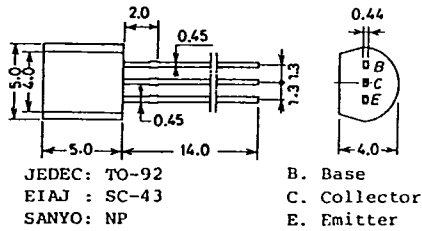
T-91-20

CASE OUTLINES AND ATTACHMENTS

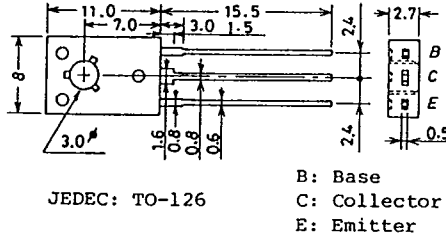
[查询"2SB1273"供应商](#)

- All of Sanyo Transistor case outlines are illustrated below.
- All dimensions are in mm, and dimensions which are not followed by min. or max. are represented by typical values.
- No marking is indicated.

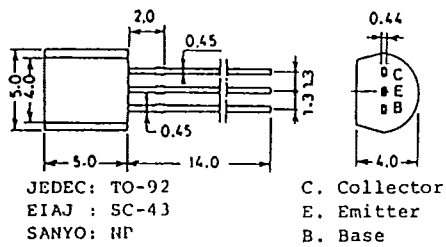
Case Outline-[2003A]  
unit:mm



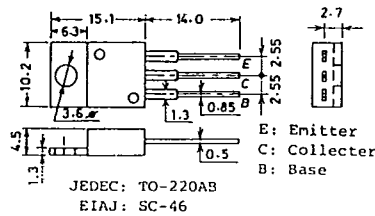
Case Outline-[2009A]  
unit:mm



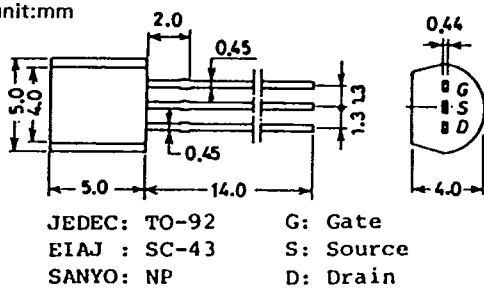
Case Outline-[2004A]  
unit:mm



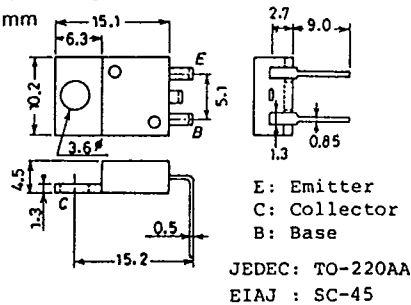
Case Outline-[2010A]  
unit:mm



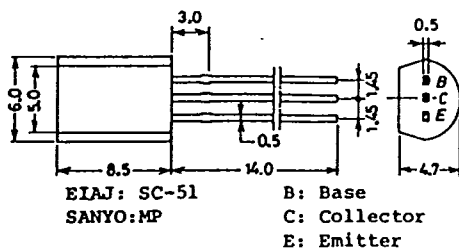
Case Outline-[2005A]  
unit:mm



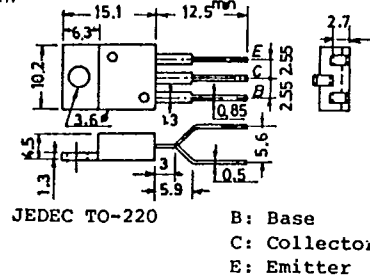
Case Outline-[2012]  
unit:mm



Case Outline-[2006A]  
unit:mm



Case Outline-[2013]  
unit:mm

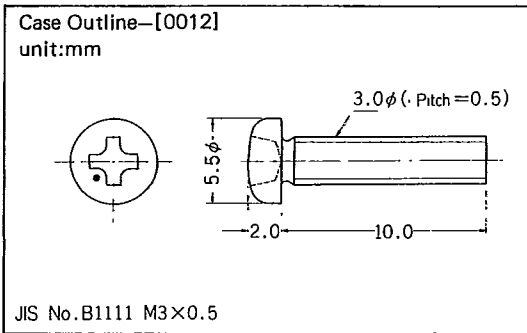
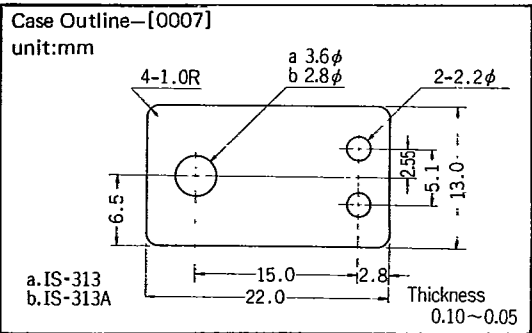
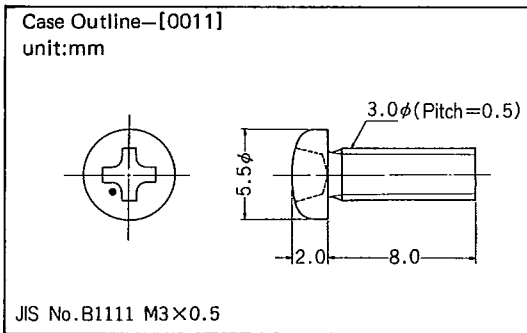
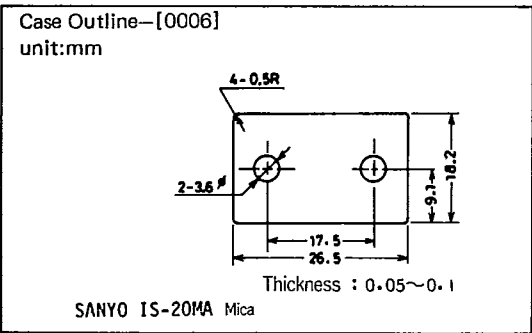
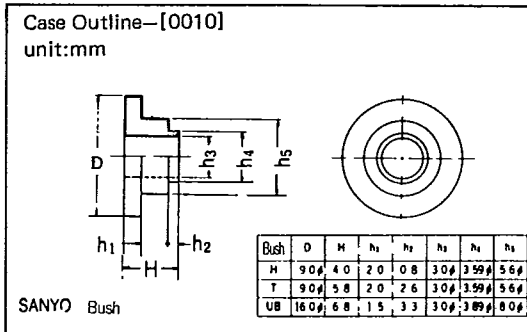
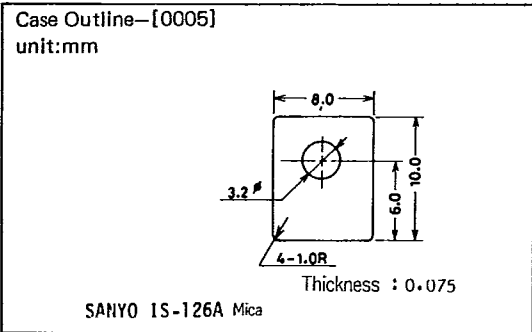
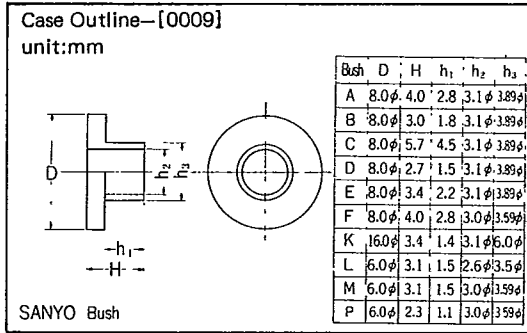
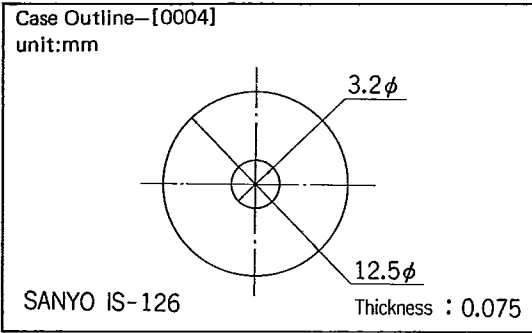
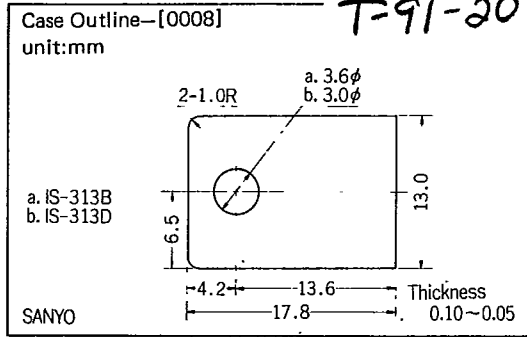
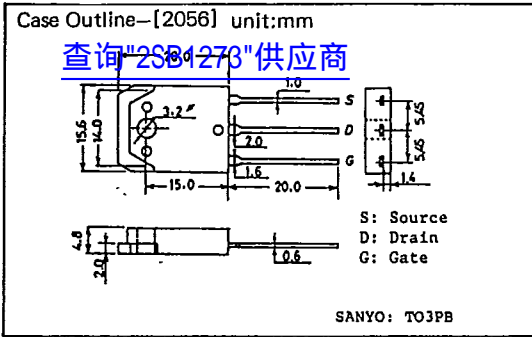








T-91-20



Case Outline-[0013]  
unit:mm  
[查询"2SB1273"供应商](#)

JIS No. B1111 M3×0.5

Case Outline-[0018]  
unit:mm

T-91-20

SANYO Lug 1.4

Case Outline-[0014]  
unit:mm

JIS No. B1181 M3×0.5

Case Outline-[0019]  
unit:mm

SANYO Lug 1.8φ

Case Outline-[0015]  
unit:mm

JIS No. B 1251 Spring washer (M3)

Case Outline-[0020]  
unit:mm

SANYO IS-3MP Mica

Case Outline-[0016]  
unit:mm

JIS No. B1252 Flat washer

Case Outline-[0021]  
unit:mm

SANYO IS-MPC Mica

Case Outline-[0017]  
unit:mm

JIS No. G3141 Rectangular washer

Case Outline-[0022]  
unit:mm

SANYO IS-3PBL Mica