

## 8-input multiplexer (3-State)

[查询74LV251D-1 供应商](#)

74LV251

## FEATURES

- Optimized for low voltage applications: 1.0 to 3.6 V
- Accepts TTL input levels between  $V_{CC} = 2.7$  V and  $V_{CC} = 3.6$  V
- Typical  $V_{OLP}$  (output ground bounce)  $< 0.8$  V at  $V_{CC} = 3.3$  V,  $T_{amb} = 25^{\circ}\text{C}$
- Typical  $V_{OHV}$  (output  $V_{OH}$  undershoot)  $> 2$  V at  $V_{CC} = 3.3$  V,  $T_{amb} = 25^{\circ}\text{C}$
- True and complement outputs
- Both outputs are 3-State for further multiplexer expansion
- Multifunction capability
- Permits multiplexing from n-lines to one line
- Output capability: standard
- $I_{CC}$  category: MSI

## DESCRIPTION

The 74LV251 is a low-voltage Si-gate CMOS device and is pin and function compatible with 74HC/HCT251.

The 74LV251 is an 8-input multiplexer with 8 binary inputs ( $I_0$  to  $I_7$ ), an output enable input ( $\overline{OE}$ ) and three select inputs ( $S_0, S_1, S_2$ ). One of the eight binary inputs is selected by the select inputs and is routed to the outputs ( $\overline{Y}, Y$ ). Both outputs are in the high impedance OFF-state (Z) when the output enable input is HIGH, allowing multiplexer expansion by tying the outputs.

## QUICK REFERENCE DATA

$GND = 0$  V;  $T_{amb} = 25^{\circ}\text{C}$ ;  $t_r = t_f \leq 2.5$  ns

| SYMBOL            | PARAMETER   | CONDITIONS                                    | TYPICAL              | UNIT |
|-------------------|---|---|----------------------|------|
| $t_{PHL}/t_{PLH}$ | Propagation delay<br>$I_n$ to $Y$<br>$I_n$ to $\overline{Y}$<br>$S_n$ to $Y$<br>$S_n$ to $\overline{Y}$ | $C_L = 15$ pF;<br>$V_{CC} = 3.3$ V            | 14<br>16<br>19<br>20 | ns   |
| $C_I$             | Input capacitance   |   | 3.5                  | pF   |
| $C_{PD}$          | Power dissipation capacitance per gate  | $V_{CC} = 3.3$ V<br>$V_I = GND$ to $V_{CC}^1$ | 44                   | pF   |

## NOTE:

1.  $C_{PD}$  is used to determine the dynamic power dissipation ( $P_D$  in  $\mu\text{W}$ )  
 $P_D = C_{PD} \times V_{CC}^2 \times f_i + \sum (C_L \times V_{CC}^2 \times f_o)$  where:  
 $f_i$  = input frequency in MHz;  $C_L$  = output load capacitance in pF;  
 $f_o$  = output frequency in MHz;  $V_{CC}$  = supply voltage in V;  
 $\sum (C_L \times V_{CC}^2 \times f_o)$  = sum of the outputs.

## ORDERING INFORMATION

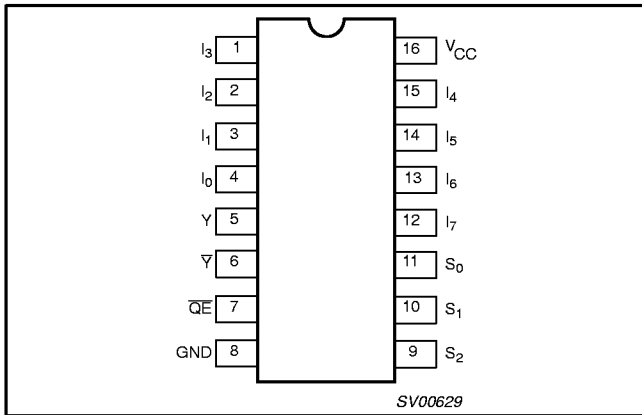
| PACKAGES                    | TEMPERATURE RANGE                               | OUTSIDE NORTH AMERICA | NORTH AMERICA | PKG. DWG. # |
|-----------------------------|---|-----------------------|---------------|-------------|
| 16-Pin Plastic DIL          | $-40^{\circ}\text{C}$ to $+125^{\circ}\text{C}$ | 74LV251 N             | 74LV251 N     | SOT38-4     |
| 16-Pin Plastic SO           | $-40^{\circ}\text{C}$ to $+125^{\circ}\text{C}$ | 74LV251 D             | 74LV251 D     | SOT109-1    |
| 16-Pin Plastic SSOP Type II | $-40^{\circ}\text{C}$ to $+125^{\circ}\text{C}$ | 74LV251 DB            | 74LV251 DB    | SOT338-1    |
| 16-Pin Plastic TSSOP Type I | $-40^{\circ}\text{C}$ to $+125^{\circ}\text{C}$ | 74LV251 PW            | 74LV251PW DH  | SOT403-1    |

# 8-input multiplexer (3-State)

[查询74LV251D-1 供应商](#)

# 74LV251

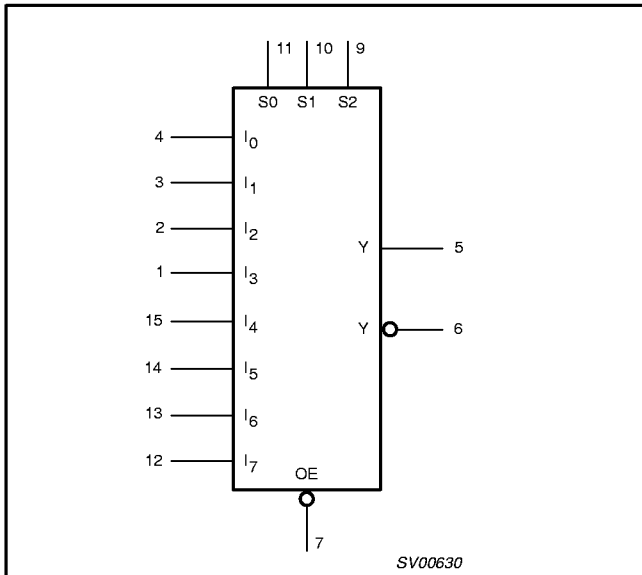
## PIN CONFIGURATION



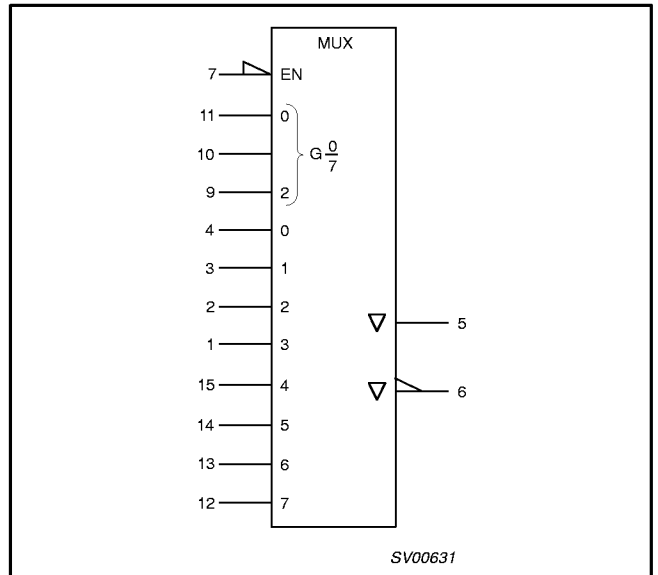
## PIN DESCRIPTION

| PIN NUMBER                 | SYMBOL          | FUNCTION                                 |
|----------------------------|-----------------|--|
| 4, 3, 2, 1, 15, 14, 13, 12 | $I_0$ to $I_7$  | Multiplexer inputs                       |
| 5                          | Y               | Multiplexer output                       |
| 6                          | $\bar{Y}$       | Complementary multiplexer output         |
| 7                          | $\overline{OE}$ | 3-State output enable input (active LOW) |
| 8                          | GND             | Ground (0 V)                             |
| 11, 10, 9                  | $S_0$ to $S_2$  | Select inputs                            |
| 16                         | $V_{CC}$        | Positive supply voltage                  |

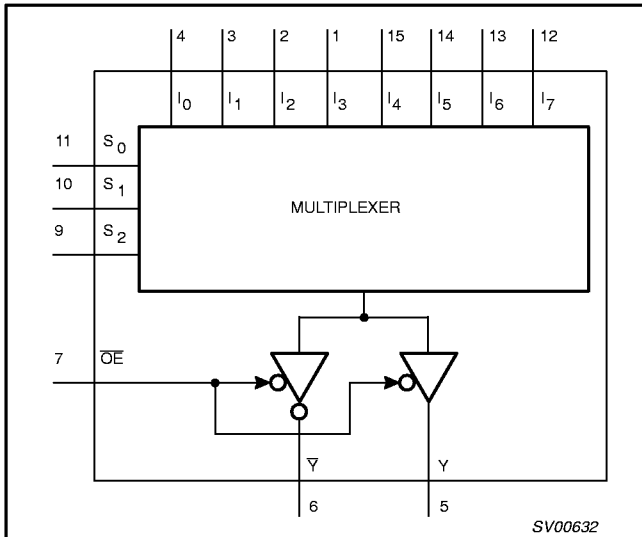
## LOGIC SYMBOL



## LOGIC SYMBOL (IEEE/IEC)



## FUNCTIONAL DIAGRAM



8-input multiplexer (3-State)

74LV251

[查询74LV251D-1 供应商](#)

FUNCTION TABLE

| INPUTS |                |                |                |                |                |                |                |                |                |                |                | OUTPUTS |   |
|--------|----------------|----------------|----------------|----------------|----------------|----------------|----------------|----------------|----------------|----------------|----------------|---------|---|
| OE     | S <sub>2</sub> | S <sub>1</sub> | S <sub>0</sub> | I <sub>0</sub> | I <sub>1</sub> | I <sub>2</sub> | I <sub>3</sub> | I <sub>4</sub> | I <sub>5</sub> | I <sub>6</sub> | I <sub>7</sub> | Y       | Y |
| H      | X              | X              | X              | X              | X              | X              | X              | X              | X              | X              | X              | Z       | Z |
| L      | L              | L              | L              | L              | X              | X              | X              | X              | X              | X              | X              | H       | L |
| L      | L              | L              | L              | H              | X              | X              | X              | X              | X              | X              | X              | L       | H |
| L      | L              | L              | H              | X              | L              | X              | X              | X              | X              | X              | X              | H       | L |
| L      | L              | L              | H              | X              | H              | X              | X              | X              | X              | X              | X              | L       | H |
| L      | L              | H              | L              | X              | X              | L              | X              | X              | X              | X              | X              | H       | L |
| L      | L              | H              | L              | X              | X              | H              | X              | X              | X              | X              | X              | L       | H |
| L      | L              | H              | H              | X              | X              | X              | L              | X              | X              | X              | X              | H       | L |
| L      | L              | H              | H              | X              | X              | X              | H              | X              | X              | X              | X              | L       | H |
| L      | H              | L              | L              | X              | X              | X              | X              | L              | X              | X              | X              | H       | L |
| L      | H              | L              | L              | X              | X              | X              | X              | H              | X              | X              | X              | L       | H |
| L      | H              | L              | H              | X              | X              | X              | X              | X              | L              | X              | X              | H       | L |
| L      | H              | L              | H              | X              | X              | X              | X              | X              | H              | X              | X              | L       | H |
| L      | H              | H              | L              | X              | X              | X              | X              | X              | X              | L              | X              | H       | L |
| L      | H              | H              | L              | X              | X              | X              | X              | X              | X              | H              | X              | L       | H |
| L      | H              | H              | H              | X              | X              | X              | X              | X              | X              | X              | L              | H       | L |
| L      | H              | H              | H              | X              | X              | X              | X              | X              | X              | X              | H              | L       | H |

NOTES:

- H = HIGH voltage level
- L = LOW voltage level
- X = don't care
- Z = high impedance OFF-state

RECOMMENDED OPERATING CONDITIONS

| SYMBOL                          | PARAMETER                                       | CONDITIONS   | MIN | TYP | MAX               | UNIT |
|---------------------------------|---|--|-----|-----|-------------------|------|
| V <sub>CC</sub>                 | DC supply voltage                               | See Note 1   | 1.0 | 3.3 | 3.6               | V    |
| V <sub>I</sub>                  | Input voltage                                   |  | 0   | –   | V <sub>CC</sub>   | V    |
| V <sub>O</sub>                  | Output voltage                                  |  | 0   | –   | V <sub>CC</sub>   | V    |
| T <sub>amb</sub>                | Operating ambient temperature range in free air | See DC and AC characteristics  | –40 |     | +85               | °C   |
| t <sub>r</sub> , t <sub>f</sub> | Input rise and fall times                       | V <sub>CC</sub> = 1.0V to 2.0V<br>V <sub>CC</sub> = 2.0V to 2.7V<br>V <sub>CC</sub> = 2.7V to 3.6V | –   | –   | 500<br>200<br>100 | ns/V |

NOTE:

1. The LV is guaranteed to function down to V<sub>CC</sub> = 1.0V (input levels GND or V<sub>CC</sub>); DC characteristics are guaranteed from V<sub>CC</sub> = 1.2V to V<sub>CC</sub> = 5.5V.

8-input multiplexer (3-State)

74LV251

[查询74LV251D-1 供应商](#)

**ABSOLUTE MAXIMUM RATINGS<sup>1, 2</sup>**

In accordance with the Absolute Maximum Rating System (IEC 134).  
 Voltages are referenced to GND (ground = 0 V).

| SYMBOL                          | PARAMETER   | CONDITIONS   | RATING            | UNIT |
|---------------------------------|---|--|-------------------|------|
| $V_{CC}$                        | DC supply voltage   |  | -0.5 to +4.6      | V    |
| $\pm I_{IK}$                    | DC input diode current  | $V_I < -0.5$ or $V_I > V_{CC} + 0.5V$  | 20                | mA   |
| $\pm I_{OK}$                    | DC output diode current   | $V_O < -0.5$ or $V_O > V_{CC} + 0.5V$  | 50                | mA   |
| $\pm I_O$                       | DC output source or sink current<br>- standard outputs  | $-0.5V < V_O < V_{CC} + 0.5V$  | 25                | mA   |
| $\pm I_{GND}$ ,<br>$\pm I_{CC}$ | DC $V_{CC}$ or GND current for types with<br>- standard outputs   |  | 50                | mA   |
| $T_{stg}$                       | Storage temperature range   |  | -65 to +150       | °C   |
| $P_{TOT}$                       | Power dissipation per package<br>- plastic DIL<br>- plastic mini-pack (SO)<br>- plastic shrink mini-pack (SSOP and TSSOP) | for temperature range: -40 to +125°C<br>above +70°C derate linearly with 12 mW/K<br>above +70°C derate linearly with 8 mW/K<br>above +60°C derate linearly with 5.5 mW/K | 750<br>500<br>400 | mW   |

**NOTES:**

- Stresses beyond those listed may cause permanent damage to the device. These are stress ratings only and functional operation of the device at these or any other conditions beyond those indicated under "recommended operating conditions" is not implied. Exposure to absolute-maximum-rated conditions for extended periods may affect device reliability.
- The input and output voltage ratings may be exceeded if the input and output current ratings are observed.

**DC ELECTRICAL CHARACTERISTICS**

Over recommended operating conditions. Voltages are referenced to GND (ground = 0 V).

| SYMBOL   | PARAMETER                                   | TEST CONDITIONS   | LIMITS         |                  |      |                 |      | UNIT |
|----------|---|---|----------------|------------------|------|-----------------|------|------|
|          |   |   | -40°C to +85°C |                  |      | -40°C to +125°C |      |      |
|          |   |   | MIN            | TYP <sup>1</sup> | MAX  | MIN             | MAX  |      |
| $V_{IH}$ | HIGH level Input voltage                    | $V_{CC} = 1.2 V$  | 0.9            |                  |      | 0.9             |      | V    |
|          |   | $V_{CC} = 2.0 V$  | 1.4            |                  |      | 1.4             |      |      |
|          |   | $V_{CC} = 2.7$ to $3.6 V$   | 2.0            |                  |      | 2.0             |      |      |
| $V_{IL}$ | LOW level Input voltage                     | $V_{CC} = 1.2 V$  |                |                  | 0.3  |                 | 0.3  | V    |
|          |   | $V_{CC} = 2.0 V$  |                |                  | 0.6  |                 | 0.6  |      |
|          |   | $V_{CC} = 2.7$ to $3.6 V$   |                |                  | 0.8  |                 | 0.8  |      |
| $V_{OH}$ | HIGH level output voltage; all outputs      | $V_{CC} = 1.2 V$ ; $V_I = V_{IH}$ or $V_{IL}$ ; $-I_O = 100\mu A$ |                | 1.2              |      |                 |      | V    |
|          |   | $V_{CC} = 2.0 V$ ; $V_I = V_{IH}$ or $V_{IL}$ ; $-I_O = 100\mu A$ | 1.8            | 2.0              |      | 1.8             |      |      |
|          |   | $V_{CC} = 2.7 V$ ; $V_I = V_{IH}$ or $V_{IL}$ ; $-I_O = 100\mu A$ | 2.5            | 2.7              |      | 2.5             |      |      |
|          |   | $V_{CC} = 3.0 V$ ; $V_I = V_{IH}$ or $V_{IL}$ ; $-I_O = 100\mu A$ | 2.8            | 3.0              |      | 2.8             |      |      |
| $V_{OH}$ | HIGH level output voltage; STANDARD outputs | $V_{CC} = 3.0 V$ ; $V_I = V_{IH}$ or $V_{IL}$ ; $-I_O = 6mA$      | 2.40           | 2.82             |      | 2.20            |      | V    |
| $V_{OL}$ | LOW level output voltage; all outputs       | $V_{CC} = 1.2 V$ ; $V_I = V_{IH}$ or $V_{IL}$ ; $I_O = 100\mu A$  |                | 0                |      |                 |      | V    |
|          |   | $V_{CC} = 2.0 V$ ; $V_I = V_{IH}$ or $V_{IL}$ ; $I_O = 100\mu A$  |                | 0                | 0.2  |                 | 0.2  |      |
|          |   | $V_{CC} = 2.7 V$ ; $V_I = V_{IH}$ or $V_{IL}$ ; $I_O = 100\mu A$  |                | 0                | 0.2  |                 | 0.2  |      |
|          |   | $V_{CC} = 3.0 V$ ; $V_I = V_{IH}$ or $V_{IL}$ ; $I_O = 100\mu A$  |                | 0                | 0.2  |                 | 0.2  |      |
| $V_{OL}$ | LOW level output voltage; STANDARD outputs  | $V_{CC} = 3.0 V$ ; $V_I = V_{IH}$ or $V_{IL}$ ; $I_O = 6mA$       |                | 0.25             | 0.40 |                 | 0.50 | V    |

8-input multiplexer (3-State)

74LV251

[查询74LV251D-1 供应商](#)

**DC ELECTRICAL CHARACTERISTICS** (Continued)

| SYMBOL           | PARAMETER                                     | TEST CONDITIONS  | LIMITS         |                  |      |                 |     | UNIT |
|------------------|---|--|----------------|------------------|------|-----------------|-----|------|
|                  |   |  | -40°C to +85°C |                  |      | -40°C to +125°C |     |      |
|                  |   |  | MIN            | TYP <sup>1</sup> | MAX  | MIN             | MAX |      |
| I <sub>I</sub>   | Input leakage current                         | V <sub>CC</sub> = 3.6 V; V <sub>I</sub> = V <sub>CC</sub> or GND                     |                |                  | 1.0  |                 | 1.0 | μA   |
| I <sub>CC</sub>  | Quiescent supply current; MSI                 | V <sub>CC</sub> = 3.6 V; V <sub>I</sub> = V <sub>CC</sub> or GND; I <sub>O</sub> = 0 |                |                  | 20.0 |                 | 160 | μA   |
| ΔI <sub>CC</sub> | Additional quiescent supply current per input | V <sub>CC</sub> = 2.7 V to 3.6 V; V <sub>I</sub> = V <sub>CC</sub> - 0.6 V           |                |                  | 500  |                 | 850 | μA   |

**NOTE:**

1. All typical values are measured at T<sub>amb</sub> = 25°C.

**AC CHARACTERISTICS**

GND = 0V; t<sub>r</sub> = t<sub>f</sub> = 2.5ns; C<sub>L</sub> = 50pF; R<sub>L</sub> = 1KΩ

| SYMBOL                             | PARAMETER                              | WAVEFORM | CONDITION  | LIMITS              |                 |                  |                |     | UNIT |
|------------------------------------|--|----------|------------|---------------------|-----------------|------------------|----------------|-----|------|
|                                    |  |          |            | -40 to +85 °C       |                 |                  | -40 to +125 °C |     |      |
|                                    |  |          |            | V <sub>CC</sub> (V) | MIN             | TYP <sup>1</sup> | MAX            | MIN |      |
| t <sub>PHL</sub> /t <sub>PLH</sub> | Propagation delay I <sub>n</sub> to Y  | Figure 1 | 1.2        |                     | 90              |                  |                |     | ns   |
|                                    |  |          | 2.0        |                     | 31              | 58               |                | 70  |      |
|                                    |  |          | 2.7        |                     | 23              | 43               |                | 51  |      |
|                                    |  |          | 3.0 to 3.6 |                     | 17 <sup>2</sup> | 34               |                | 41  |      |
| t <sub>PHL</sub> /t <sub>PLH</sub> | Propagation delay I <sub>n</sub> to Y  | Figure 2 | 1.2        |                     | 100             |                  |                |     | ns   |
|                                    |  |          | 2.0        |                     | 34              | 65               |                | 77  |      |
|                                    |  |          | 2.7        |                     | 25              | 48               |                | 56  |      |
|                                    |  |          | 3.0 to 3.6 |                     | 19 <sup>2</sup> | 38               |                | 45  |      |
| t <sub>PHL</sub> /t <sub>PLH</sub> | Propagation delay S <sub>n</sub> to Y  | Figure 1 | 1.2        |                     | 120             |                  |                |     | ns   |
|                                    |  |          | 2.0        |                     | 41              | 77               |                | 92  |      |
|                                    |  |          | 2.7        |                     | 30              | 56               |                | 68  |      |
|                                    |  |          | 3.0 to 3.6 |                     | 23 <sup>2</sup> | 45               |                | 54  |      |
| t <sub>PHL</sub> /t <sub>PLH</sub> | Propagation delay S <sub>n</sub> to Y  | Figure 2 | 1.2        |                     | 125             |                  |                |     | ns   |
|                                    |  |          | 2.0        |                     | 43              | 82               |                | 97  |      |
|                                    |  |          | 2.7        |                     | 31              | 60               |                | 71  |      |
|                                    |  |          | 3.0 to 3.6 |                     | 24 <sup>2</sup> | 48               |                | 57  |      |
| t <sub>PZH</sub> /t <sub>PZL</sub> | 3-State output disable time OE to Y, Y | Figure 2 | 1.2        |                     | 65              |                  |                |     | ns   |
|                                    |  |          | 2.0        |                     | 22              | 43               |                | 51  |      |
|                                    |  |          | 2.7        |                     | 16              | 31               |                | 38  |      |
|                                    |  |          | 3.0 to 3.6 |                     | 12 <sup>2</sup> | 25               |                | 30  |      |
| t <sub>PHZ</sub> /t <sub>PLZ</sub> | 3-State output disable time OE to Y, Y | Figure 2 | 1.2        |                     | 60              |                  |                |     | ns   |
|                                    |  |          | 2.0        |                     | 22              | 39               |                | 48  |      |
|                                    |  |          | 2.7        |                     | 17              | 29               |                | 36  |      |
|                                    |  |          | 3.0 to 3.6 |                     | 13 <sup>2</sup> | 24               |                | 29  |      |

**NOTES:**

1. Unless otherwise stated, all typical values are measured at T<sub>amb</sub> = 25°C
2. Typical values are measured at V<sub>CC</sub> = 3.3 V.

# 8-input multiplexer (3-State)

[查询74LV251D-T 供应商](#)

74LV251

## AC WAVEFORMS

$V_M = 1.5 \text{ V}$  at  $V_{CC} \geq 2.7 \text{ V}$   
 $V_M = 0.5 \text{ V} \times V_{CC}$  at  $V_{CC} < 2.7 \text{ V}$   
 $V_{OL}$  and  $V_{OH}$  are the typical output voltage drop that occur with the output load.  
 $V_X = V_{OL} + 0.3 \text{ V}$  at  $V_{CC} \geq 2.7 \text{ V}$   
 $V_X = V_{OL} + 0.1 \times V_{CC}$  at  $V_{CC} < 2.7 \text{ V}$   
 $V_Y = V_{OH} - 0.3 \text{ V}$  at  $V_{CC} \geq 2.7 \text{ V}$   
 $V_Y = V_{OH} - 0.1 \times V_{CC}$  at  $V_{CC} < 2.7 \text{ V}$

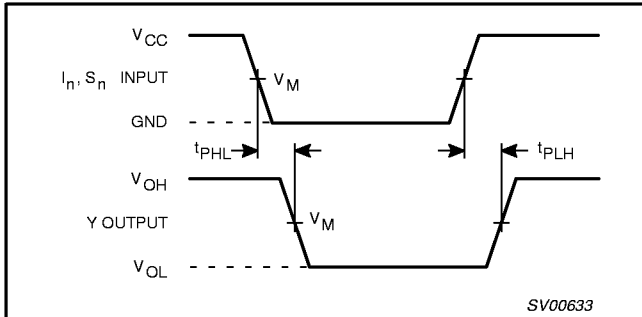


Figure 1. Multiplexer input ( $I_n$ ) and select input ( $S_n$ ) to output (Y) propagation delays.

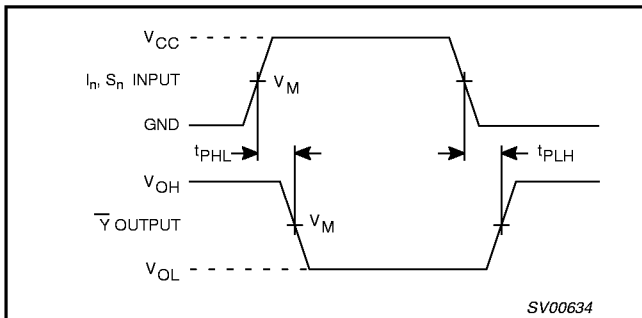


Figure 2. Multiplexer input ( $I_n$ ) and the select input ( $S_n$ ) to output ( $\bar{Y}$ ) propagation delays.

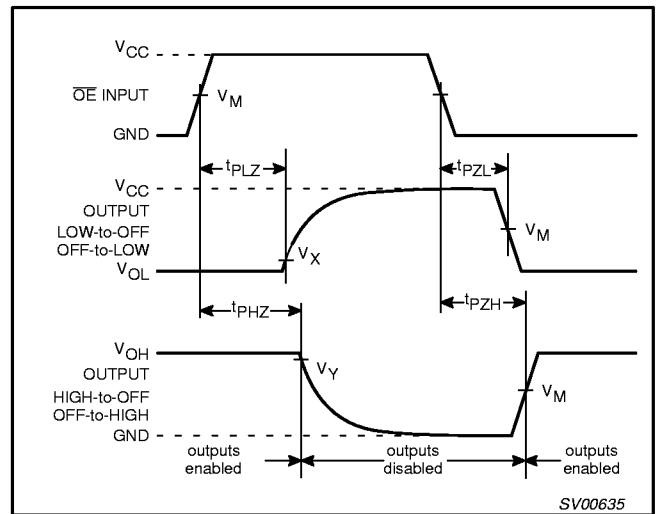


Figure 3. 3-State enable and disable times

## TEST CIRCUIT

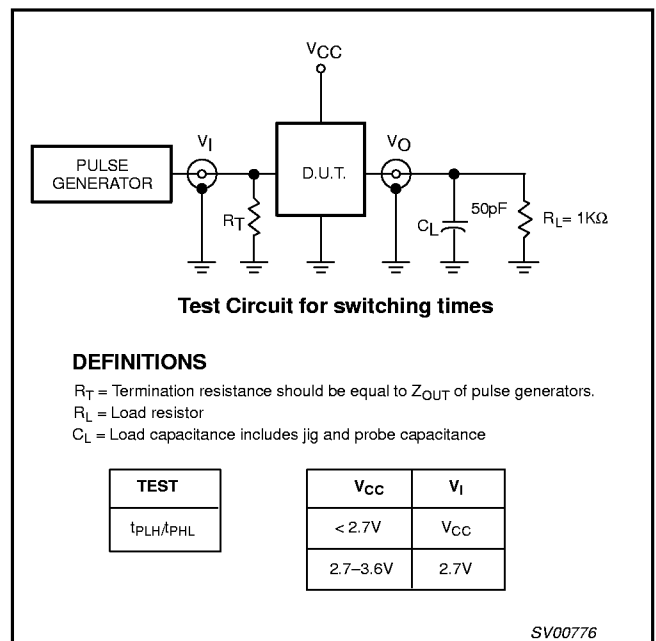


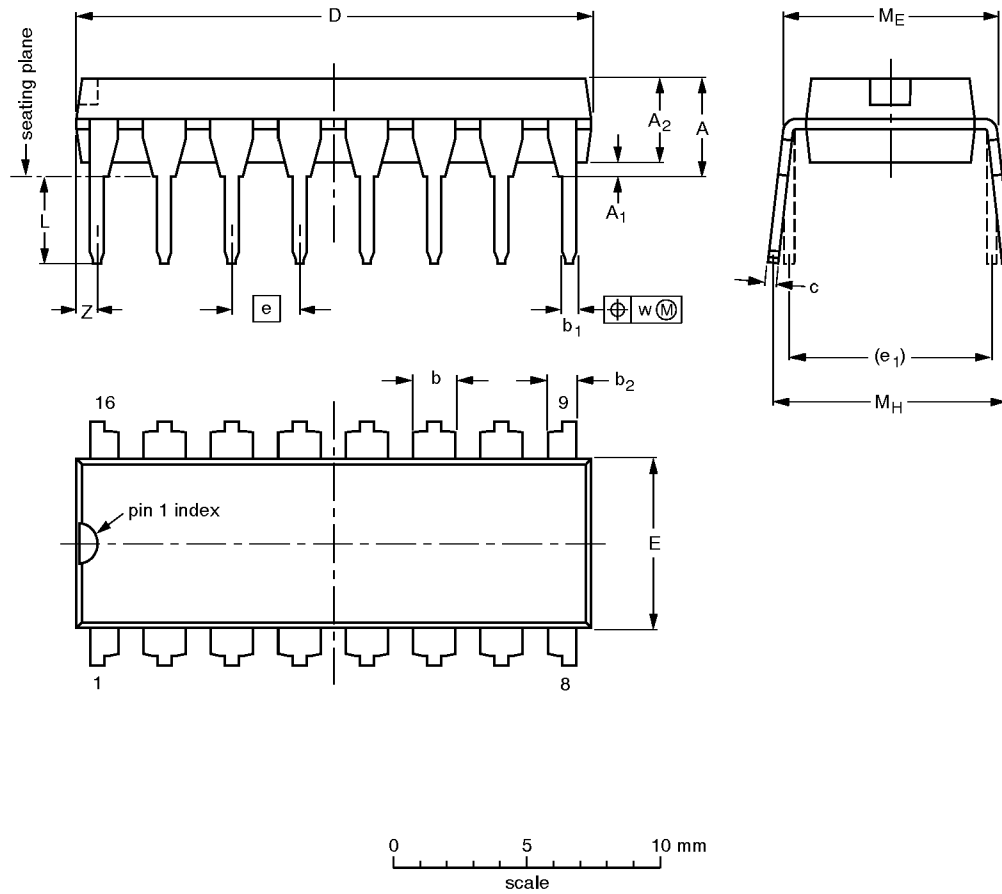
Figure 4. Load circuitry for switching times.

8-input multiplexer (3-State)  
[查询 74LV251D 供应商](#)

74LV251

DIP16: plastic dual in-line package; 16 leads (300 mil)

SOT38-4



DIMENSIONS (inch dimensions are derived from the original mm dimensions)

| UNIT   | A max. | A <sub>1</sub> min. | A <sub>2</sub> max. | b              | b <sub>1</sub> | b <sub>2</sub> | c              | D <sup>(1)</sup> | E <sup>(1)</sup> | e    | e <sub>1</sub> | L            | M <sub>E</sub> | M <sub>H</sub> | w     | Z <sup>(1)</sup> max. |
|--------|--------|---------------------|---------------------|----------------|----------------|----------------|----------------|------------------|------------------|------|----------------|--------------|----------------|----------------|-------|-----------------------|
| mm     | 4.2    | 0.51                | 3.2                 | 1.73<br>1.30   | 0.53<br>0.38   | 1.25<br>0.85   | 0.36<br>0.23   | 19.50<br>18.55   | 6.48<br>6.20     | 2.54 | 7.62           | 3.60<br>3.05 | 8.25<br>7.80   | 10.0<br>8.3    | 0.254 | 0.76                  |
| inches | 0.17   | 0.020               | 0.13                | 0.068<br>0.051 | 0.021<br>0.015 | 0.049<br>0.033 | 0.014<br>0.009 | 0.77<br>0.73     | 0.26<br>0.24     | 0.10 | 0.30           | 0.14<br>0.12 | 0.32<br>0.31   | 0.39<br>0.33   | 0.01  | 0.030                 |

Note

1. Plastic or metal protrusions of 0.25 mm maximum per side are not included.

| OUTLINE VERSION | REFERENCES |       |      |  | EUROPEAN PROJECTION | ISSUE DATE           |
|-----------------|------------|-------|------|--|---------------------|----------------------|
|                 | IEC        | JEDEC | EIAJ |  |                     |                      |
| SOT38-4         |            |       |      |  |                     | 92-11-17<br>95-01-14 |

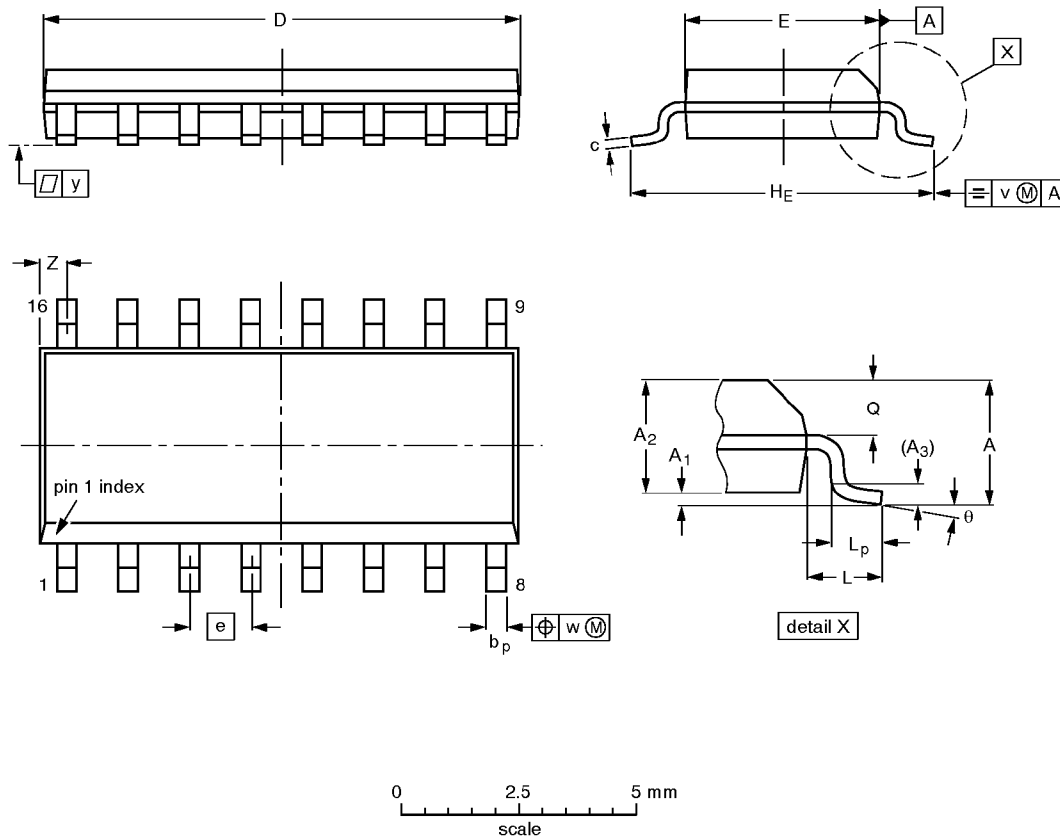
8-input multiplexer (3-State)

74LV251

[查询"74LV251D"供应商](#)

SO16: plastic small outline package; 16 leads; body width 3.9 mm

SOT109-1



DIMENSIONS (inch dimensions are derived from the original mm dimensions)

| UNIT   | A max. | A <sub>1</sub>   | A <sub>2</sub> | A <sub>3</sub> | b <sub>p</sub> | c                | D <sup>(1)</sup> | E <sup>(1)</sup> | e     | H <sub>E</sub> | L     | L <sub>p</sub> | Q              | v    | w    | y     | z <sup>(1)</sup> | θ        |
|--------|--------|------------------|----------------|----------------|----------------|------------------|------------------|------------------|-------|----------------|-------|----------------|----------------|------|------|-------|------------------|----------|
| mm     | 1.75   | 0.25<br>0.10     | 1.45<br>1.25   | 0.25           | 0.49<br>0.36   | 0.25<br>0.19     | 10.0<br>9.8      | 4.0<br>3.8       | 1.27  | 6.2<br>5.8     | 1.05  | 1.0<br>0.4     | 0.7<br>0.6     | 0.25 | 0.25 | 0.1   | 0.7<br>0.3       | 8°<br>0° |
| inches | 0.069  | 0.0098<br>0.0039 | 0.057<br>0.049 | 0.01           | 0.019<br>0.014 | 0.0098<br>0.0075 | 0.39<br>0.38     | 0.16<br>0.15     | 0.050 | 0.24<br>0.23   | 0.041 | 0.039<br>0.016 | 0.028<br>0.020 | 0.01 | 0.01 | 0.004 | 0.028<br>0.012   |          |

Note

1. Plastic or metal protrusions of 0.15 mm maximum per side are not included.

| OUTLINE VERSION | REFERENCES |          |      | EUROPEAN PROJECTION | ISSUE DATE           |
|-----------------|------------|----------|------|---------------------|----------------------|
|                 | IEC        | JEDEC    | EIAJ |                     |                      |
| SOT109-1        | 076E07S    | MS-012AC |      |                     | 91-08-13<br>95-01-23 |



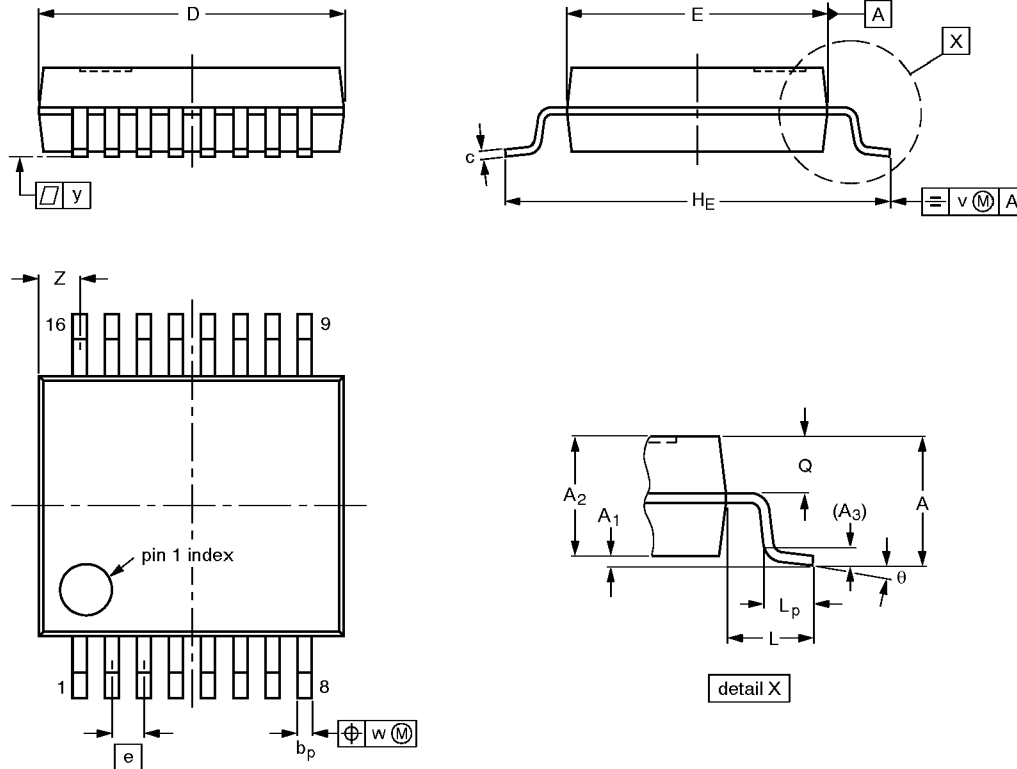
8-input multiplexer (3-State)

74LV251

[查询 74LV251D 供应商](#)

SSOP16: plastic shrink small outline package; 16 leads; body width 5.3 mm

SOT338-1



DIMENSIONS (mm are the original dimensions)

| UNIT | A max. | A <sub>1</sub> | A <sub>2</sub> | A <sub>3</sub> | b <sub>p</sub> | c            | D <sup>(1)</sup> | E <sup>(1)</sup> | e    | H <sub>E</sub> | L    | L <sub>p</sub> | Q          | v   | w    | y   | Z <sup>(1)</sup> | θ        |
|------|--------|----------------|----------------|----------------|----------------|--------------|------------------|------------------|------|----------------|------|----------------|------------|-----|------|-----|------------------|----------|
| mm   | 2.0    | 0.21<br>0.05   | 1.80<br>1.65   | 0.25           | 0.38<br>0.25   | 0.20<br>0.09 | 6.4<br>6.0       | 5.4<br>5.2       | 0.65 | 7.9<br>7.6     | 1.25 | 1.03<br>0.63   | 0.9<br>0.7 | 0.2 | 0.13 | 0.1 | 1.00<br>0.55     | 8°<br>0° |

Note

1. Plastic or metal protrusions of 0.25 mm maximum per side are not included.

| OUTLINE VERSION | REFERENCES |          |      |  | EUROPEAN PROJECTION | ISSUE DATE           |
|-----------------|------------|----------|------|--|---------------------|----------------------|
|                 | IEC        | JEDEC    | EIAJ |  |                     |                      |
| SOT338-1        |            | MO-150AC |      |  |                     | 94-01-14<br>95-02-04 |

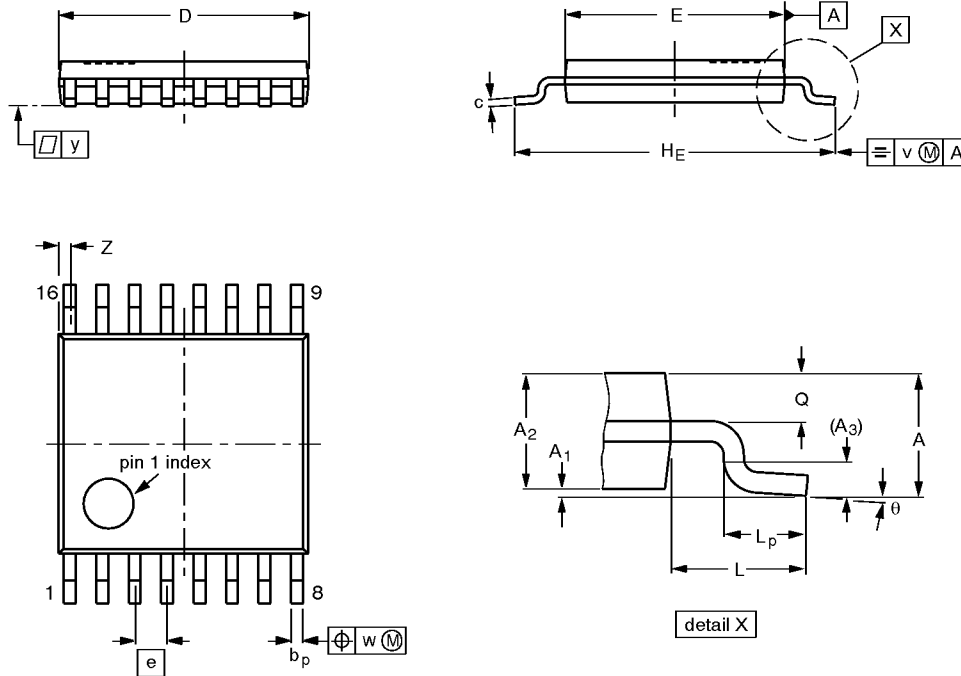
8-input multiplexer (3-State)

74LV251

[查询 74LV251D 供应商](#)

TSSOP16: plastic thin shrink small outline package; 16 leads; body width 4.4 mm

SOT403-1



DIMENSIONS (mm are the original dimensions)

| UNIT | A max. | A <sub>1</sub> | A <sub>2</sub> | A <sub>3</sub> | b <sub>p</sub> | c          | D <sup>(1)</sup> | E <sup>(2)</sup> | e    | H <sub>E</sub> | L   | L <sub>p</sub> | Q          | v   | w    | y   | Z <sup>(1)</sup> | θ        |
|------|--------|----------------|----------------|----------------|----------------|------------|------------------|------------------|------|----------------|-----|----------------|------------|-----|------|-----|------------------|----------|
| mm   | 1.10   | 0.15<br>0.05   | 0.95<br>0.80   | 0.25           | 0.30<br>0.19   | 0.2<br>0.1 | 5.1<br>4.9       | 4.5<br>4.3       | 0.65 | 6.6<br>6.2     | 1.0 | 0.75<br>0.50   | 0.4<br>0.3 | 0.2 | 0.13 | 0.1 | 0.40<br>0.06     | 8°<br>0° |

Notes

1. Plastic or metal protrusions of 0.15 mm maximum per side are not included.
2. Plastic interlead protrusions of 0.25 mm maximum per side are not included.

| OUTLINE VERSION | REFERENCES |        |      |  | EUROPEAN PROJECTION | ISSUE DATE            |
|-----------------|------------|--------|------|--|---------------------|-----------------------|
|                 | IEC        | JEDEC  | EIAJ |  |                     |                       |
| SOT403-1        |            | MO-153 |      |  |                     | -94-07-12<br>95-04-04 |