

Primary lithium batteries CR-V3 3.0V 2.9Ah

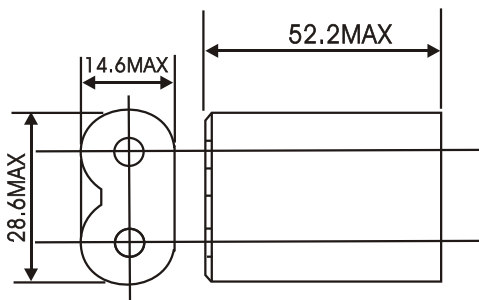


**3.0V Primary lithium-manganese dioxide
 (Li-MnO₂) Power type
 CR-V3 -size spiral cell**

For **high drain/high pulses**
 applications requesting superior
 voltage response in -40°C~+60°C
 environments.

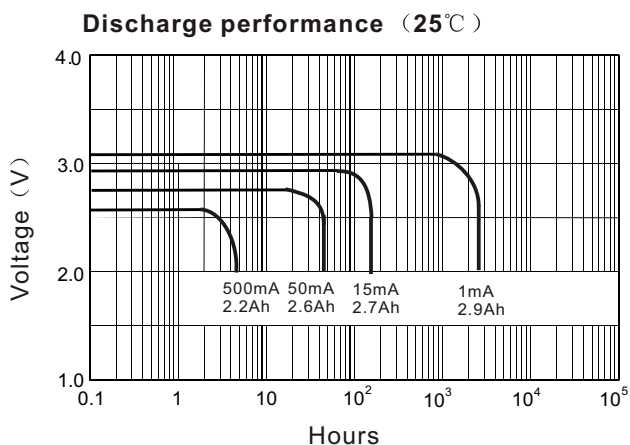
Cell size references	CR-V3
Alternative models	CR-V3
Electrical characteristics (typical values relative to cells stored for one year or less at +30°C max.)	
Nominal capacity (at 1mA +20°C 2.0V cut off. The capacity restored by the cell varies according to current drain, temperature and cut off).	2.9Ah
Open circuit voltage (at +20°C)	3.0V
Nominal voltage (at 1mA +20°C)	3.0V
Pulse capability: Typically up to 3000 mA (3000 mA/0.1 second pulses, drained every 2 mn at +20°C from undischarged cells with 10 μA base current, yield voltage readings above 3.0V. The readings may vary according to the pulse characteristics, the temperature, and the cell' s previous history. Fitting the cell with a capacitor may be recommended in severe conditions. Consult ABLE)	
Max. Continuous current	2000mA
Max. Pulse current	3000mA
Storage (recommended) (for more severe conditions, consult ABLE)	+30°C (+86°F) max
Operating temperature range (Operation above ambient T may lead to reduced capacity and lower voltage readings at the beginning of pulses. Consult ABLE)	-40°C / +60°C
Physical characteristics	
Diameter (max)	28.6mm(1.1 in)
Width (max)	19.5mm(0.39 in)
Height (max)	52.2mm(2 in)
Typical weight	39g(1.3oz)
Available termination suffix	-

CR-V3 3.0V 2.9Ah



Unit : mm

Characteristic curves



Nominal capacity 2.9Ah (1mA to 2.0V) .

Key features

- ▶ High and stable operating voltage
- ▶ Superior drain capability
- ▶ Low self-discharge rate (less than 3% after 1 year of storage at +20°C)
- ▶ Optional stainless steel container for low magnetic and nickel plated steel container for more safe design
- ▶ Hermetic glass-to-metal sealing
- ▶ Notch technology for safety vent is recommended
- ▶ PTC for finished product is optional

Main applications

- ▶ Radiocommunication and other military applications
- ▶ Alarms and security systems
- ▶ Beacons and emergency location transmitters
- ▶ GPS
- ▶ Metering systems
- ▶ Sonobuoys
- ▶ LED lighting applications
- ▶ Others

Storage

- ▶ The storage area should be clean, cool (not exceeding +30°C), dry and ventilated.

Warning

- ▶ Do not use if the battery casing was mangled.
- ▶ Don't use different models of battery in series.
- ▶ Soldering the tag should be finished in few seconds.
- ▶ Do not try to recharge.